

KitchenAid®

30", 36" AND 48" (76.2 CM, 91.4 CM AND 121.9 CM) COMMERCIAL STYLE WALL-MOUNT CANOPY RANGE HOOD

Installation Instructions and Use & Care Guide

For questions about features, operation/performance, parts, accessories or service, call: **1-800-422-1230**
or visit our website at **www.kitchenaid.com**

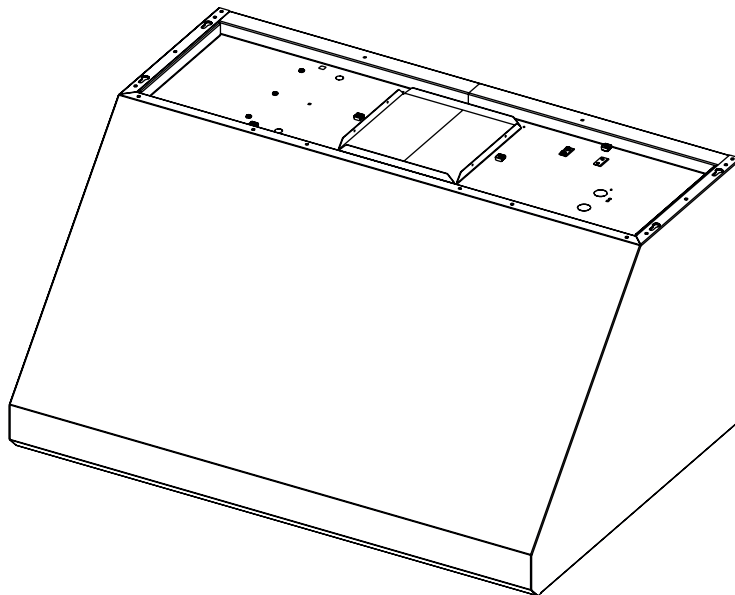
In Canada, for assistance, installation and service, call: **1-800-807-6777**
or visit our website at **www.kitchenaid.ca**

HOTTE À MONTAGE MURAL DE STYLE COMMERCIAL 30 PO, 36 PO ET 48 PO (76,2 CM, 91,4 CM ET 121,9 CM)

Instructions d'installation et Guide d'utilisation et d'entretien

Pour des questions à propos des caractéristiques, du fonctionnement/rendement, des pièces, accessoires ou service, composer le **1-800-422-1230** ou visiter notre site Web au **www.kitchenaid.com**.

Au Canada, pour assistance, installation ou service, composer le **1 800 807-6777**
ou visiter notre site Internet au **www.kitchenaid.ca**.



**IMPORTANT: READ AND SAVE THESE INSTRUCTIONS.
FOR RESIDENTIAL USE ONLY.**

**IMPORTANT : LIRE ET CONSERVER CES INSTRUCTIONS.
POUR UTILISATION RÉSIDENIELLE UNIQUEMENT.**

TABLE OF CONTENTS

| | |
|--|-----------|
| RANGE HOOD SAFETY | 2 |
| INSTALLATION REQUIREMENTS | 4 |
| Tools and Parts..... | 4 |
| Location Requirements | 4 |
| Venting Requirements | 5 |
| Electrical Requirements | 6 |
| INSTALLATION INSTRUCTIONS | 7 |
| Prepare Location | 7 |
| Install Range Hood..... | 8 |
| Install Range Hood Internal Blower Motor | 8 |
| Install Range Hood In-Line (External Type) Blower Motor..... | 10 |
| Make Electrical Connections for In-Line Blower Motor System..... | 11 |
| Make Electrical Power Supply Connection to Range Hood | 12 |
| Complete Installation and Check Operation | 13 |
| RANGE HOOD USE | 14 |
| Range Hood Controls | 14 |
| RANGE HOOD CARE | 14 |
| Range Hood Lamps..... | 14 |
| Cleaning | 15 |
| WIRING DIAGRAM | 16 |
| ASSISTANCE OR SERVICE | 17 |
| In the U.S.A. | 17 |
| Accessories..... | 17 |
| In Canada | 17 |

TABLE DES MATIÈRES

| | |
|---|-----------|
| SÉCURITÉ DE LA HOTTE | 18 |
| EXIGENCES D'INSTALLATION | 20 |
| Outils et pièces..... | 20 |
| Exigences d'emplacement..... | 20 |
| Exigences d'évacuation | 21 |
| Spécifications électriques | 22 |
| INSTRUCTIONS D'INSTALLATION | 23 |
| Préparation de l'emplacement..... | 23 |
| Installation de la hotte | 24 |
| Installation du moteur du ventilateur intégré de la hotte | 24 |
| Installation du moteur du ventilateur déporté (externe) de la hotte..... | 26 |
| Réalisation des connexions électriques du système du moteur du ventilateur en ligne | 27 |
| Connexion de l'alimentation électrique à la hotte | 28 |
| Achever l'installation et vérifier le fonctionnement | 29 |
| UTILISATION DE LA HOTTE | 30 |
| Commandes de la hotte..... | 30 |
| ENTRETIEN DE LA HOTTE | 30 |
| Ampoules de la hotte | 30 |
| Nettoyage..... | 31 |
| SCHÉMA DE CÂBLAGE | 32 |
| ASSISTANCE OU DÉPANNAGE | 33 |
| Aux É.-U. | 33 |
| Accessoires..... | 33 |
| Au Canada..... | 33 |

RANGE HOOD SAFETY

Your safety and the safety of others are very important.

We have provided many important safety messages in this manual and on your appliance. Always read and obey all safety messages.



This is the safety alert symbol.

This symbol alerts you to potential hazards that can kill or hurt you and others.

All safety messages will follow the safety alert symbol and either the word "DANGER" or "WARNING."

These words mean:

⚠ DANGER

You can be killed or seriously injured if you don't immediately follow instructions.

⚠ WARNING

You can be killed or seriously injured if you don't follow instructions.

All safety messages will tell you what the potential hazard is, tell you how to reduce the chance of injury, and tell you what can happen if the instructions are not followed.

IMPORTANT SAFETY INSTRUCTIONS

WARNING: TO REDUCE THE RISK OF FIRE, ELECTRIC SHOCK, OR INJURY TO PERSONS, OBSERVE THE FOLLOWING:

- Use this unit only in the manner intended by the manufacturer. If you have questions, contact the manufacturer.
- Before servicing or cleaning unit, switch power off at service panel and lock the service disconnecting means to prevent power from being switched on accidentally. When the service disconnecting means cannot be locked, securely fasten a prominent warning device, such as a tag, to the service panel.
- Installation work and electrical wiring must be done by qualified person(s) in accordance with all applicable codes and standards, including fire-rated construction.
- Do not operate any fan with a damaged cord or plug. Discard fan or return to an authorized service facility for examination and/or repair.
- Sufficient air is needed for proper combustion and exhausting of gases through the flue (chimney) of fuel burning equipment to prevent back drafting. Follow the heating equipment manufacturer's guideline and safety standards such as those published by the National Fire Protection Association (NFPA), and the American Society for Heating, Refrigeration and Air Conditioning Engineers (ASHRAE), and the local code authorities.
- When cutting or drilling into wall or ceiling, do not damage electrical wiring and other hidden utilities.
- Ducted fans must always be vented to the outdoors.

CAUTION: For General Ventilating Use Only. Do Not Use To Exhaust Hazardous Or Explosive Materials And Vapors.

CAUTION: To reduce risk of fire and to properly exhaust air, be sure to duct air outside - Do not vent exhaust air into spaces within walls or ceilings or into attics, crawl spaces, or garages.

WARNING: TO REDUCE THE RISK OF FIRE, USE ONLY METAL DUCTWORK.

WARNING: TO REDUCE THE RISK OF A RANGE TOP GREASE FIRE:

- Never leave surface units unattended at high settings. Boilovers cause smoking and greasy spillovers that may ignite. Heat oils slowly on low or medium settings.
- Always turn hood ON when cooking at high heat or when flaming food (i.e. Crepes Suzette, Cherries Jubilee, Peppercorn Beef Flambé).
- Clean ventilating fans frequently. Grease should not be allowed to accumulate on fan or filter.
- Use proper pan size. Always use cookware appropriate for the size of the surface element.

WARNING: TO REDUCE THE RISK OF INJURY TO PERSONS IN THE EVENT OF A RANGE TOP GREASE FIRE, OBSERVE THE FOLLOWING^a:

- SMOTHER FLAMES with a close-fitting lid, cookie sheet, or metal tray, then turn off the burner. BE CAREFUL TO PREVENT BURNS. If the flames do not go out immediately, EVACUATE AND CALL THE FIRE DEPARTMENT.
- NEVER PICK UP A FLAMING PAN - You may be burned.
- DO NOT USE WATER, including wet dishcloths or towels - a violent steam explosion will result.
- Use an extinguisher ONLY if:
 - You know you have a Class ABC extinguisher, and you already know how to operate it.
 - The fire is small and contained in the area where it started.
 - The fire department is being called.
 - You can fight the fire with your back to an exit.

Based on "Kitchen Fire Safety Tips" published by NFPA.

■ **WARNING:** To Reduce The Risk Of Fire Or Electric Shock, Do Not Use This Fan With Any Solid-State Speed Control Device.

- This appliance is not intended for use by persons (including children) with reduced physical, sensory or mental capabilities, or lack of experience and knowledge, unless they have been given supervision or instruction concerning use of the appliance by a person responsible for their safety.

READ AND SAVE THESE INSTRUCTIONS

INSTALLATION REQUIREMENTS

Tools and Parts

Gather the required tools and parts before starting installation. Read and follow the instructions provided with any tools listed here.

Tools needed

- Level
- Drill
- 1¼" (3 cm) drill bit
- 1/8" (3 mm) drill bit if installing into wood
- 5/16" (8 mm) drill bit if installing optional backsplash kit
- 5/16" (5 mm) drill bit if installing an in-line blower motor system
- Pencil
- Wire stripper or utility knife
- Tape measure or ruler
- Pliers
- Caulking gun and weatherproof caulking compound
- Vent clamps
- Jigsaw or keyhole saw
- Flat-blade screwdriver
- Metal snips
- Phillips screwdriver
- Scissors

Parts needed

- Home power supply cable
- 1 - 1/2" (12.7 mm) UL listed or CSA approved strain relief
- 3 UL listed wire connectors
- 1 wall or roof cap
- Metal vent system
- Blower motor system - internal or external (see "Blower Motor System" in the "Accessories" section.)

Parts supplied

Remove parts from packages. Check that all parts are included.

- 2 metal grease filters for 30" (76.2 cm) and 36" (91.4 cm) models
- 3 metal grease filters for 48" (121.9 cm) models
- Range hood canopy with LED lamps installed
- 1 - 10" (25.4 cm) square to 10" (25.4 cm) round duct transition with damper
- Wood support
- Grease drip trays
- 4 - 6 x 80 mm mounting screws
- 4 - 3.5 x 9.5 mm screws
- 6 - 4.2 x 19 mm screws
- 2 - D5.3 x 20 mm washers
- 2 - 10 x 50 mm wall anchors
- T-20 TORX[†] adapter

Location Requirements

IMPORTANT: Observe all governing codes and ordinances.

Have a qualified technician install the range hood. It is the installer's responsibility to comply with installation clearances specified on the model/serial rating plate. The model/serial rating plate is located inside the range hood on the rear wall of the range hood.

Canopy range hood location should be away from strong draft areas, such as windows, doors and strong heating vents.

Cabinet opening dimensions that are shown must be used. Given dimensions provide minimum clearance.

The canopy range hood is factory set for venting through the roof or through the wall.

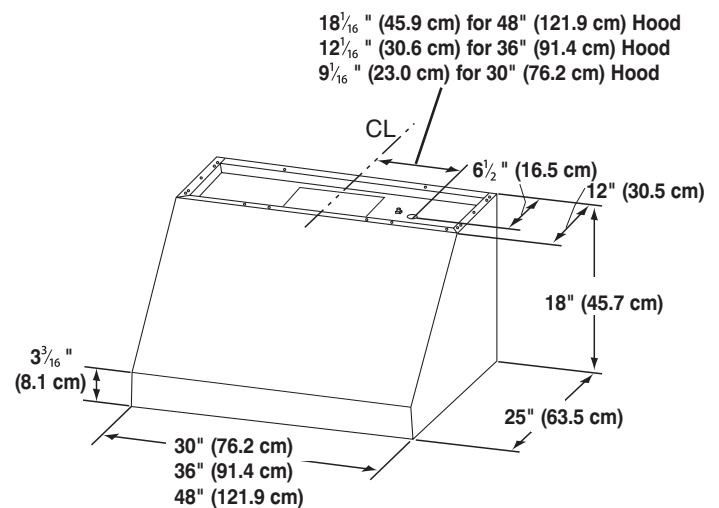
All openings in ceiling and wall where canopy range hood will be installed must be sealed.

For Mobile Home Installations

The installation of this range hood must conform to the Manufactured Home Construction Safety Standards, Title 24 CFR, Part 328 (formerly the Federal Standard for Mobile Home Construction and Safety, Title 24, HUD, Part 280) or when such standard is not applicable, the standard for Manufactured Home Installation 1982 (Manufactured Home Sites, Communities and Setups) ANSI A225.1/NFPA 501A*, or latest edition, or with local codes.

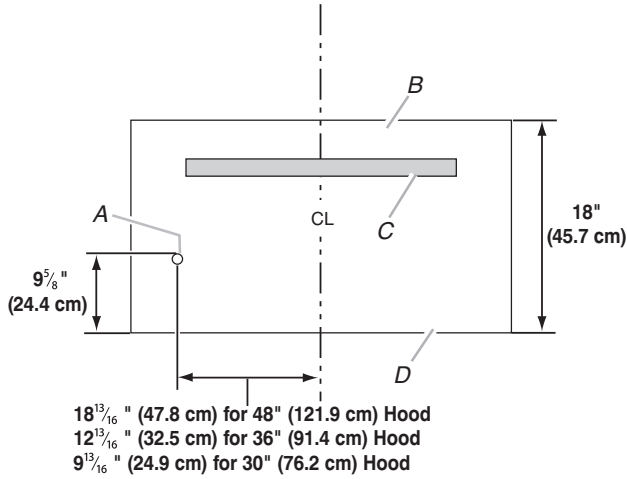
Product Dimensions

Front view



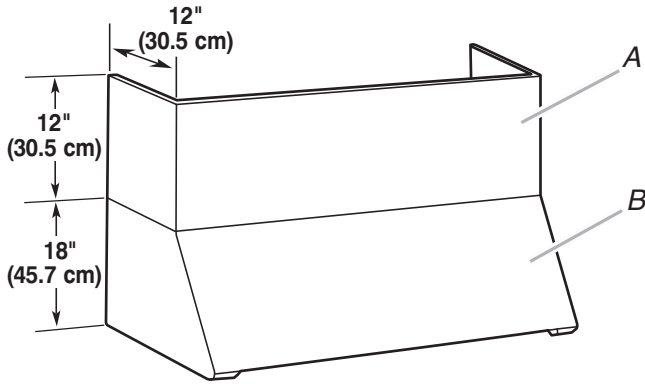
[†]TORX is a registered trademark of Saturn Fasteners, Inc.

Back view



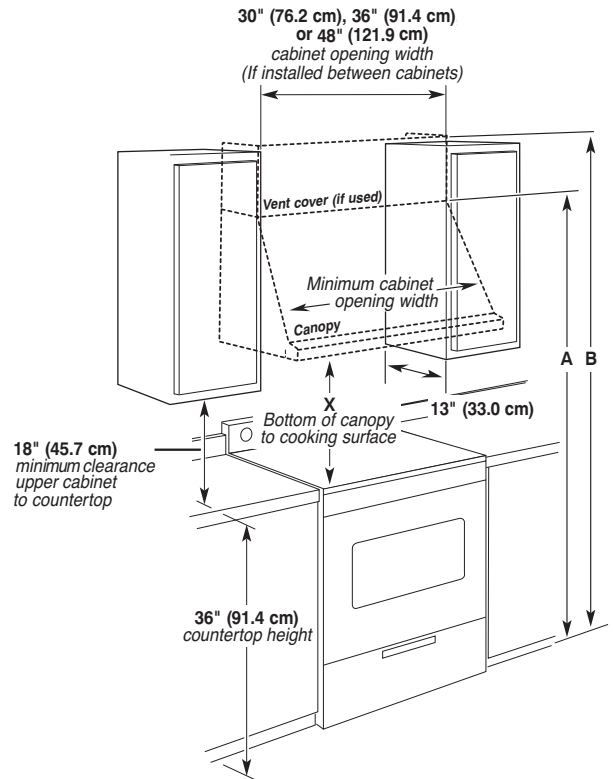
- A. Knockout into terminal box
- B. Top of hood
- C. Wood support
- D. Bottom of hood

Optional Full-Width Duct Cover Installations



- A. Optional full-width duct cover
- B. Range hood

Installation Dimensions



- A. For installations with canopy only:
78" (198.1 cm) minimum above electric cooking surface
84" (213.4 cm) minimum above gas cooking surface
- B. For installations with optional duct cover:
90" (228.6 cm) minimum above electric cooking surface
96" (243.8 cm) minimum above gas cooking surface

IMPORTANT:

Minimum distance "X": 24" (61 cm) from electric cooking surfaces
 Minimum distance "X": 30" (76.2 cm) from gas cooking surfaces
 Suggested maximum distance "X": 36" (91.4 cm)

Venting Requirements

- Vent system must terminate to the outdoors.
- Do not terminate the vent system in an attic or other enclosed area.
- Do not use 4" (10.2 cm) laundry-type wall caps.
- Use metal vent only. Rigid metal vent is recommended. Plastic or metal foil vent is not recommended.
- The length of vent system and number of elbows should be kept to a minimum to provide efficient performance.

For the most efficient and quiet operation:

- Use no more than three 90° elbows.
- Make sure there is a minimum of 24" (61.0 cm) of straight vent between the elbows if more than 1 elbow is used.
- Do not install 2 elbows together.
- Use clamps to seal all joints in the vent system.
- The vent system must have a damper. If the roof or wall cap has a damper, do not use the damper supplied with the range hood.
- Use caulking to seal exterior wall or roof opening around the cap.
- The size of the vent should be uniform.

Cold weather installations

An additional back draft damper should be installed to minimize backward cold air flow and a thermal break should be installed to minimize conduction of outside temperatures as part of the vent system. The damper should be on the cold air side of the thermal break.

The break should be as close as possible to where the vent system enters the heated portion of the house.

Makeup air

Local building codes may require the use of makeup air systems when using ventilation systems greater than specified CFM of air movement. The specified CFM varies from locale to locale. Consult your HVAC professional for specific requirements in your area.

Venting Methods

Typical Internal Blower Motor System Venting Installations

A 10" (25.4 cm) round vent system is needed for installation (not included). The hood exhaust opening is 10" (25.4 cm) round.

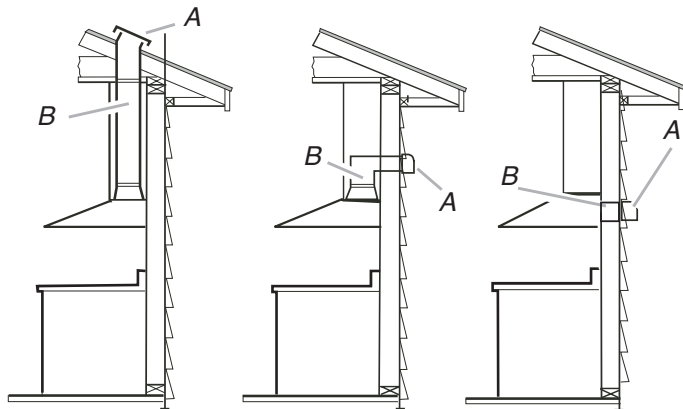
NOTE: Flexible vent is not recommended. Flexible vent creates back pressure and air turbulence that greatly reduce performance.

Vent system can terminate either through the roof or wall.

Roof venting

Wall venting

Wall venting

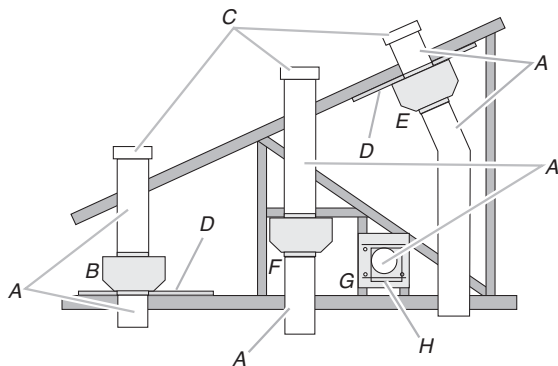


A. Roof cap
B. 10" (25.4 cm) round vent

A. Wall cap
B. 10" (25.4 cm) round vent

A. Wall cap
B. 10" (25.4 cm) round vent

Typical In-line Blower Motor System Venting Installations



A. 10" (25.4 cm) round vent
B. Mount on top of ceiling joists.
C. Roof caps
D. Plywood (optional for some installations)
E. Mount on underside of roof rafters.
F. Mount from cross-members tied to trusses.
G. Duct horizontal; mount to cross-members tied to trusses.
H. Wall cap

Calculating Vent System Length

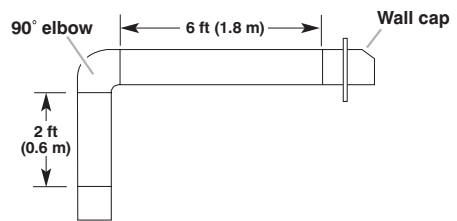
To calculate the length of the system you need, add the equivalent feet (meters) for each vent piece used in the system.

| Vent Piece | Equivalent Length |
|------------|-------------------|
| 45° elbow | 2.5 ft (0.8 m) |
| 90° elbow | 5.0 ft (1.5 m) |

The maximum equivalent vent lengths are:

10" (25.4 cm) round vents - 60 ft (18.3 m)

Example vent system



The following example falls within the maximum recommended vent length.

| | |
|-----------------------|-------------------|
| 1 - 90° elbow | = 5.0 ft (1.5 m) |
| 1 - wall cap | = 0.0 ft (0.0 m) |
| 8 ft (2.4 m) straight | = 8.0 ft (2.4 m) |
| Length of system | = 13.0 ft (3.9 m) |

Electrical Requirements

Observe all governing codes and ordinances.

Ensure that the electrical installation is adequate and in conformance with National Electrical Code, ANSI/NFPA 70 (latest edition), or CSA Standards C22.1-94, Canadian Electrical Code, Part 1 and C22.2 No. 0-M91 (latest edition) and all local codes and ordinances.

If codes permit and a separate ground wire is used, it is recommended that a qualified electrician determine that the ground path is adequate.

A copy of the above code standards can be obtained from:

National Fire Protection Association
One Batterymarch Park
Quincy, MA 02269
CSA International
8501 East Pleasant Valley Road
Cleveland, OH 44131-5575

- A 120 V, 60 Hz, AC only, 15 A, fused electrical circuit is required.

- If the house has aluminum wiring, follow the procedure below:

Connect the aluminum wiring using special connectors and/or tools designed and UL listed for joining copper to aluminum.

Follow the electrical connector manufacturer's recommended procedure. Aluminum/copper connection must conform with local codes and industry accepted wiring practices.

- Wire sizes and connections must conform with the rating of the appliance as specified on the model/serial rating plate. The model/serial plate is located behind the filter on the rear wall of the range hood.
- Wire sizes must conform to the requirements of the National Electrical Code, ANSI/NFPA 70 (latest edition), or CSA Standards C22.1-94, Canadian Electrical Code, Part 1 and C22.2 No. 0-M91 (latest edition) and all local codes and ordinances.

INSTALLATION INSTRUCTIONS

Prepare Location

- It is recommended that the vent system be installed before range hood is installed.
 - If you are installing the optional backsplash, follow the instructions included with that product.
 - Before making cutouts, make sure there is proper clearance within the ceiling or wall for exhaust vent.
 - Check that all installation parts have been removed from the shipping carton.
1. Disconnect power.
 2. Determine which venting method to use: roof or wall exhaust.
 3. Select a flat surface for assembling the range hood. Place covering over that surface.

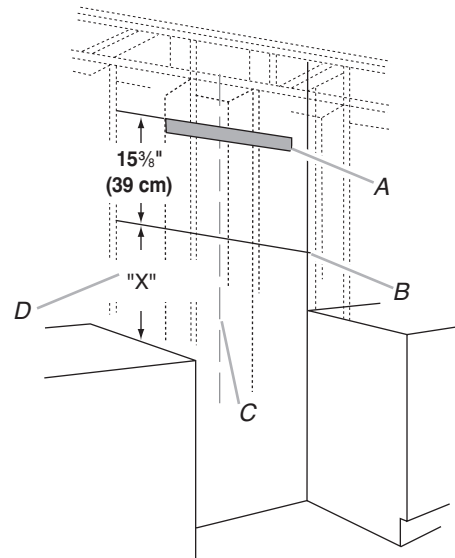
! WARNING

Excessive Weight Hazard

Use two or more people to move and install range hood.

Failure to do so can result in back or other injury.

4. Using 2 or more people, lift range hood onto covered surface.



- A. Wood support
- B. Bottom of range hood
- C. Centerline
- D. Dimension "X" = range hood mounting height

NOTE: The screws provided for mounting this range hood must be fastened into solid wood; do not fasten into sheet rock only.

Range Hood Mounting Screws Installation

The range hood is attached to the wall with the wood support that is attached to the back of the range hood.

1. Determine and mark the centerline on the wall where the canopy range hood will be installed.
2. Select a mounting height "X" between a minimum of 24" (61 cm) from electric cooking surfaces or 30" (76.2 cm) from gas cooking surfaces, and a suggested maximum of 36" (91.4 cm), above the cooking surface and the bottom of the range hood and mark a horizontal reference line on the wall.
3. Remove the wood support from the back of the range hood by loosening the 2 screws from the inside. Locate and level the top of the wood support 15³/₈" (39.1 cm) above the marked horizontal line and centered on the vertical centerline. Using 2 - 4 of the 6 x 80 mm screws, install wood support so that it is screwed into at least 2 vertical studs.

Complete Preparation

1. Determine and make all necessary cuts in the wall or roof for the vent system. Install the vent system before installing the range hood. See the "Venting Requirements" section.
2. Determine the location where the power supply cable will be run through the wall.
3. Drill a 1¹/₄" (3.2 cm) hole at this location.
4. Pull enough power supply cable through the wall to allow for easy connection to the terminal box.
5. Install the 10" (25.4 cm) square x 10" (25.4 cm) round vent transition with damper to top or rear of the range hood (depending on your installation), using 4 - 3.5 x 9.5 mm screws. Remove the damper from the vent transition when mounting to the rear of the range hood.

NOTE: There is a 8³/₄" (22.2 cm) flat cover plate mounted on the rear panel of the range hood. It must cover the exhaust opening in the rear panel of the range hood for top venting or be removed and reinstalled to cover the exhaust opening in the top panel for rear venting.

6. Remove terminal box cover and set aside.
7. Remove knockout from the back of the range hood and install a UL listed or CSA approved 1/2" (1.3 cm) strain relief.
8. Place the range hood near its mounting position and run the power supply cable through the strain relief into terminal box (enough to make connection).
9. Tighten the strain relief screws.

NOTE: Your range hood requires you to purchase either an internal type or an in-line (external type) blower motor system.

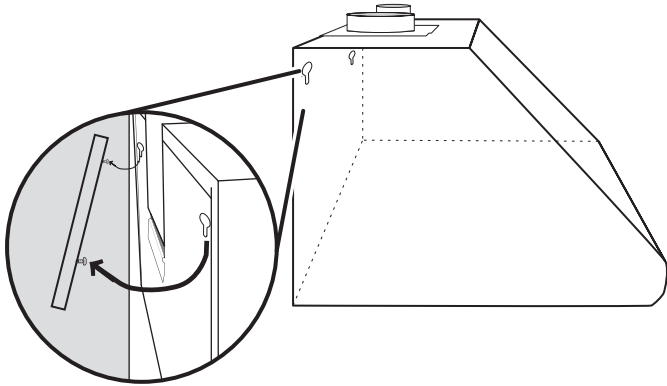
For internal blower systems, there are blower motor mounting parts in the blower motor installation packet that must be added to the range hood prior to mounting the range hood to the wall. See the "Install Range Hood Internal Blower Motor" section and the instructions supplied with the blower motor.

Install Range Hood

The range hood attaches to the wall by the 2 mounting screws in the wood support mounted to the wall in the “Range Hood Mounting Screws Installation” section.

- Using 2 or more people, hang the range hood on the wall by placing the slotted holes in the range hood back over the 2 screws mounted to the wood support mounted to the wall.

NOTE: If your installation uses the optional duct cover, the vent system needs to be connected to the range hood and the duct cover mounted to the top of the range hood before tightening the mounting screws. See steps 3 - 5.



- Push the range hood up into the narrow slots, align the bottom of the hood to the horizontal line, level the hood, and tighten the 2 mounting screws.
- Mark 2 lower mounting hole center point locations. Drill 1/8" (0.32 cm) pilot holes if the holes are located into wood. If holes are not located into wood, drill two 3/8" (0.95 cm) pilot holes and insert 10 x 50 mm wall anchors. Install 2 - 6 x 80 mm screws with D5.3 x 20 mm washers into the lower mounting anchors and tighten.
- Install 4 - 4.2 x 19 mm screws through the back of the hood into the wood support and tighten.
- Connect vent system to hood. Seal all joints with clamps.

NOTE: If your installation uses the optional full-width duct cover, attach the duct cover to the top of the range hood following the instructions and using the screws that are provided with the duct cover. For information on ordering the optional duct cover, see the “Accessories” section.

Install Range Hood Internal Blower Motor

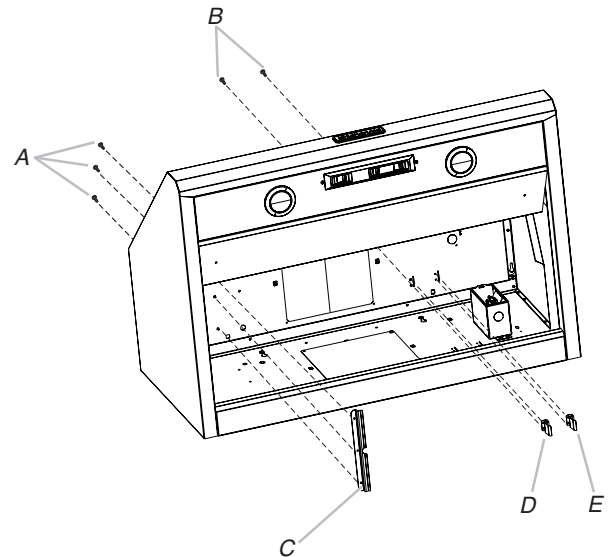
NOTE: Your range hood requires you to purchase either an internal type or an in-line (external type) blower motor system. See “Blower Motor System” in the “Accessories” section.

The internal blower system can be mounted for top venting or rear venting. For top venting, the mounting bracket and spring clip that comes with the blower system will mount to the top panel of the range hood. For rear venting, the mounting bracket and spring clip that comes with the blower system will mount to the rear panel of the range hood.

Prepare the Internal Blower System

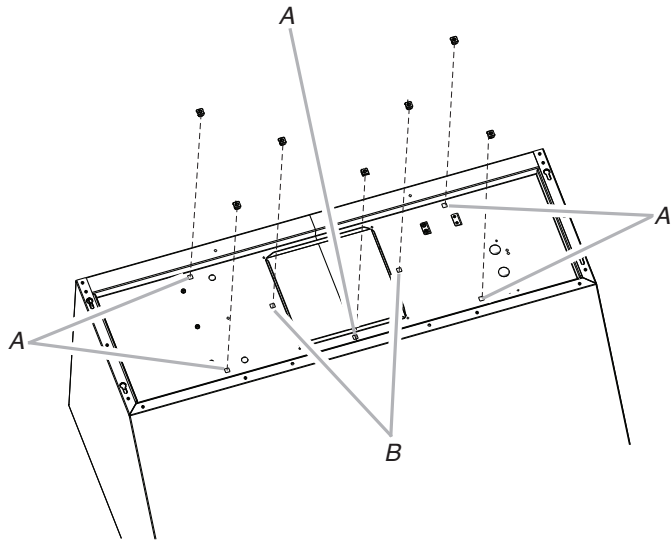
IMPORTANT: Perform steps 1-4 before mounting the range hood.

- Remove grease filters from range hood. See the “Range Hood Care” section in the Use and Care Guide.
- Install the motor support bracket using three 4.2 x 8 mm screws. Screw bracket to the inside top or back (alternate location on some models), toward the left side of the range hood.
- Install motor spring clip using two 4.2 x 8 mm screws. Screw spring clip to the inside top or back (alternate location on some models) of the range hood at the proper location for the selected motor system. Slide the mounting tab of the spring clip through the slot in the panel and secure with the screws. Use the inside set of mounting holes for the single motor system. Use the outside set of mounting holes for the dual motor system.



- A. 4.2 x 8 mm screws (3) for motor support bracket
- B. 4.2 x 8 mm screws (2) for motor spring clip
- C. Motor support bracket
- D. Motor spring clip (single motor assembly location)
- E. Motor spring clip (dual motor assembly location)

- Install the 6 mm nuts to the outside top or outside back (alternate location on some models) of the range hood at the proper location for the selected motor system.
 - Two 6 mm nuts are required for the single motor system. Clip nuts into the small square notches located at the left and right end of the square vent opening.
 - Five 6 mm nuts are required for the dual motor system. Clip nuts into the small square notches, one located in the front of the square vent opening and the other four located at the left and right ends of the square vent opening.



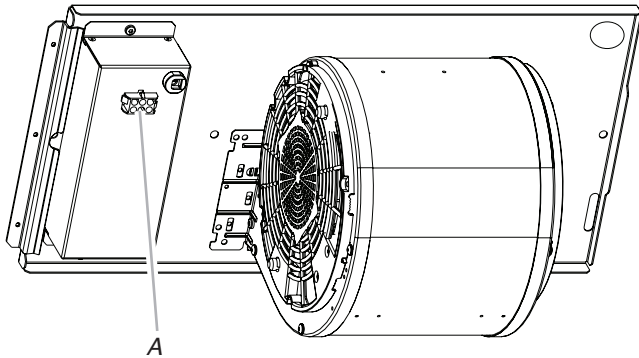
A. Clip nut locations for dual motor assembly (5)
 B. Clip nut locations for single motor assembly (2)

5. Mount range hood. See the “Install Range Hood” section.

Install Range Hood Internal Blower Motor

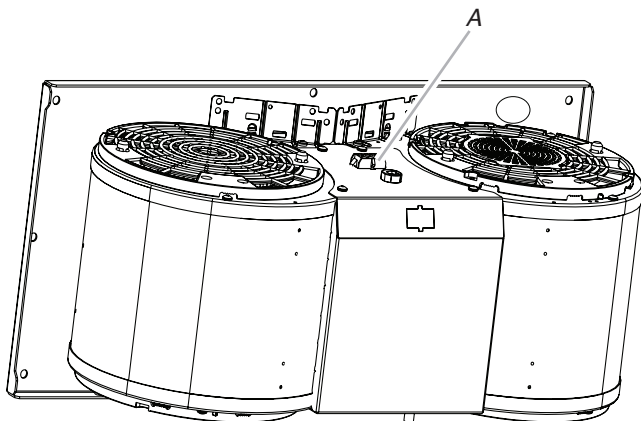
1. Install the range hood blower motor assembly inside the range hood canopy with the wiring connection to the left for the single motor system and to the front or top for the dual motor system.

Single Blower Motor Assembly



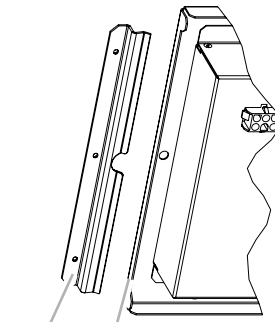
A. Wiring connection

Dual Blower Motor Assembly



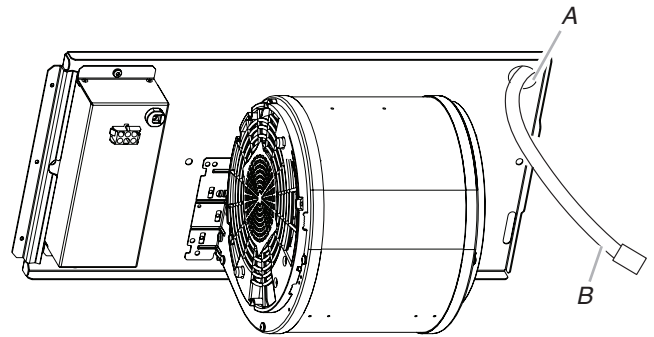
A. Wiring connection

2. Slide the left mounting plate flange under the motor mounting bracket.



A. Motor mounting bracket
 B. Mounting plate left flange

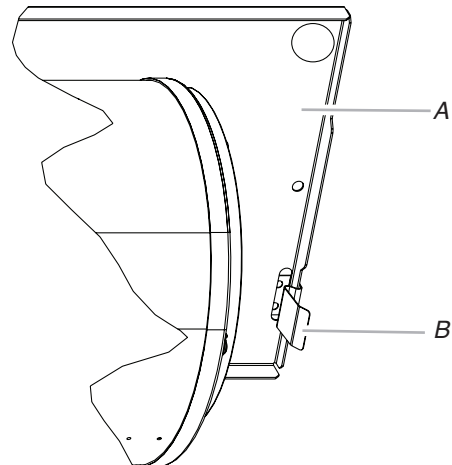
3. Run the power supply wires and connector from the range hood through the hole in the right end of the motor mounting plate.



A. Motor mounting plate hole
 B. Power supply wires and connector

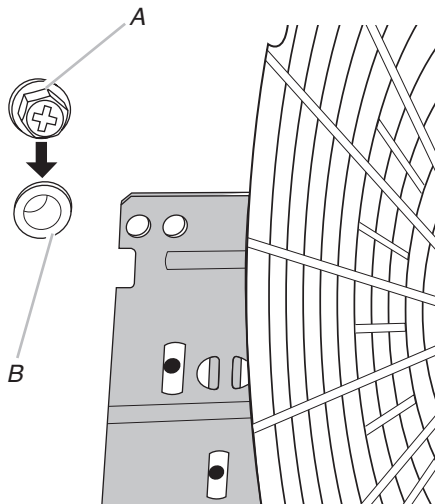
4. Push the right end of the motor mounting plate up and snap it into the spring tab.

NOTE: The spring tab should be outside the slot in the mounting plate.



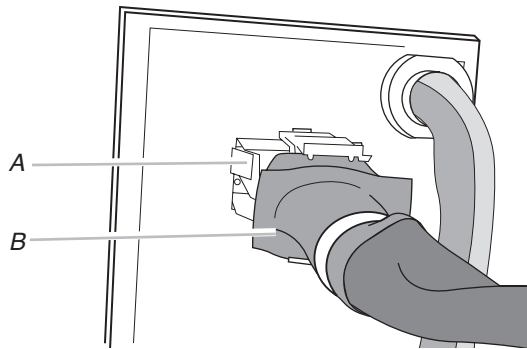
A. Motor mounting plate
 B. Spring clip

- Align mounting holes and install 6 x 16 mm screws and 6.4 mm lock washers.



A. Screw with lock washer
B. Mounting hole

- Attach power supply connector from the range hood to the connector on the blower motor assembly wiring box.



A. Wiring box connector
B. Power supply connector from range hood

- Go to the “Make Electric Power Supply Connection to Range Hood” section.

Install Range Hood In-Line (External Type) Blower Motor

NOTE: Your range hood requires you to purchase either an internal type or an in-line (external type) blower motor system. See “Blower Motor System” in the “Accessories” section.

Prepare for Mounting the In-Line Blower System

The in-line blower system must be fastened to a secure structure of the roof, ceiling, wall, floor, or new or existing frame construction. The 4 holes on either the inlet (bottom) side or the outlet (top) side of the blower must be used to mount the in-line blower system to the structure.

NOTE: The mounting hole locations must span the studs. Additional stud framing may be required. Plywood may be used to span open areas between ceiling joists or roof rafters to aid installation. This structure must be strong enough to support the weight of the in-line blower system (50 lb [22.6 kg] min).

Prepare the In-line Blower System

⚠ WARNING

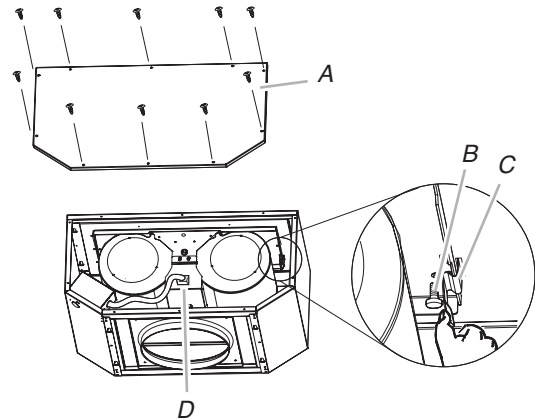
Excessive Weight Hazard

Use two or more people to move and install in-line blower motor system.

Failure to do so can result in back or other injury.

- Using 2 or more people, move the in-line blower motor system to the mounting location.
- Remove the 10 screws from the front cover of the in-line blower motor housing and set them aside.
- Remove the front cover of the in-line blower motor housing and set it aside.

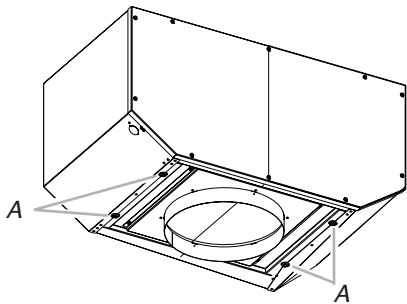
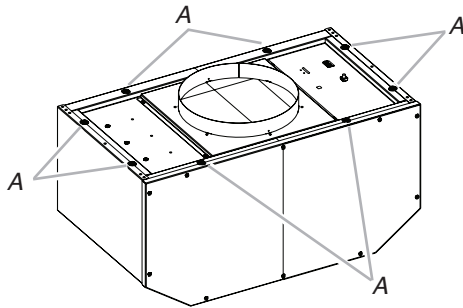
NOTE: To make the blower motor housing easier to mount, the blower motor assembly can be removed. If you do not want to remove the blower motor assembly, proceed to “Install In-line Blower System” in this section.
- Disconnect the motor electrical plug from the blower motor assembly.
- Remove the screws that secure the blower motor assembly to the in-line blower housing and set them aside.
- Pull the spring clip to release the blower motor assembly. Remove the blower motor assembly from the housing and place it on a covered surface.



A. Front cover
B. Blower mounting screws
C. Spring clip
D. Motor electrical plug

Install In-line Blower System

NOTE: The blower motor housing can be mounted using 4 holes from either the inlet side or the outlet side of the blower.

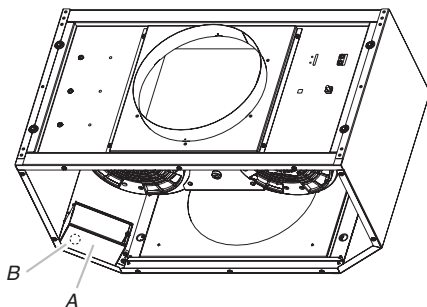


A. Mounting holes

1. Position the in-line blower motor housing in its mounting location and mark the 4 mounting hole locations.
2. Drill 4 mounting pilot holes using a 3/16" (0.48 cm) drill bit.
3. Attach the in-line blower motor housing to the mounting location with four 6 x 80 mm mounting screws and washers.
4. If it is removed, reinstall the blower motor assembly and secure it with the screws previously removed.
5. If it is removed, reattach the motor electrical plug to the connector on the blower motor assembly.

Complete Preparation

1. Determine and make all necessary cuts for the vent system. **IMPORTANT:** When cutting or drilling into the ceiling or wall, do not damage electrical wiring or other hidden utilities.
2. Determine the location where the 1/2" (1.3 cm) wiring conduit will be routed through the ceiling or wall between the in-line blower and the range hood.
3. Drill a 1 1/4" (3.2 cm) hole at this location.
4. Locate the electrical terminal boxes in the in-line blower housing and range hood (see "Complete Preparation" in the "Prepare Location" section). Remove the terminal box covers and set the covers and screws aside.



A. Electrical terminal box
B. Electrical knockout

5. Remove the electrical knockout from the in-line blower housing and range hood (see "Complete Preparation" in the "Prepare Location" section) to prepare for the installation of the UL listed or CSA approved 1/2" (1.3 cm) wiring conduit and conduit connector.
6. With the range hood mounted (see the "Install Range Hood" section), run the 1/2" (1.3 cm) wiring conduit between the in-line blower motor housing and the range hood. Pull enough 1/2" (1.3 cm) wiring conduit to allow for easy connection to the terminal boxes in the in-line blower housing and range hood.
7. Run the six 18 AWG wires through the 1/2" (1.3 cm) wiring conduit and conduit connectors and into the terminal boxes on the in-line blower housing and range hood. Leave enough wire length in each terminal box to make the wiring connections.
8. Install the conduit connectors and conduit to the in-line blower housing and range hood electrical terminal boxes.
9. Connect the vent system to the range hood and in-line blower system and seal all joints with clamps.

Make Electrical Connections for In-Line Blower Motor System

⚠ WARNING



Electrical Shock Hazard

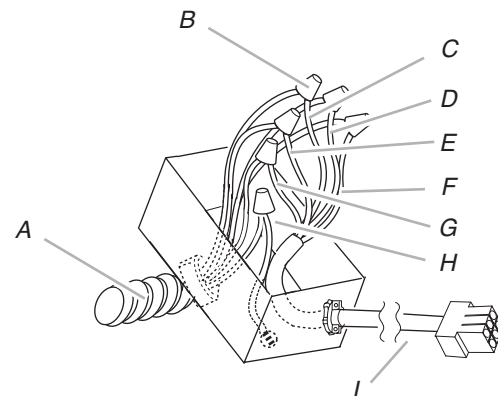
Disconnect power before servicing.

Replace all parts and panels before operating.

Failure to do so can result in death or electrical shock.

Electrical Connection Inside In-line Blower System

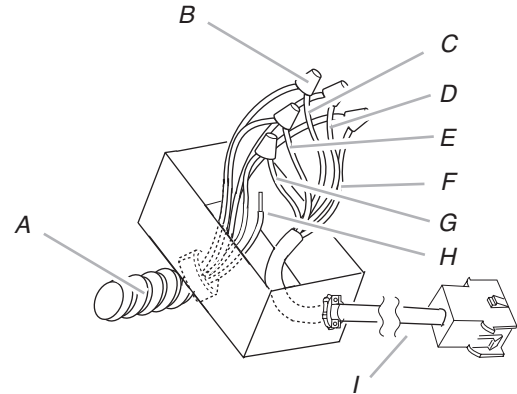
1. Disconnect power.
2. Connect the wires from the wiring conduit to the wires from the motor electrical plug cable inside the in-line blower housing terminal box.



- A. UL listed or CSA approved 1/2" (1.3 cm) wiring conduit
- B. UL listed wire connectors
- C. Black wires
- D. White wires
- E. Red wires
- F. Blue wires
- G. Gray wires
- H. Green (or yellow/green) and green/yellow wires
- I. Motor electrical plug cable

3. Use UL listed wire connectors and connect the black wires (C) together.
4. Use UL listed wire connectors and connect the white wires (D) together.
5. Use UL listed wire connectors and connect the red wires (E) together.
6. Use UL listed wire connectors and connect the blue wires (F) together.
7. Use UL listed wire connectors and connect the gray wires (G) together.

6. Connect the same color wires to each other (black to black, white to white, etc.) using UL listed wire connectors.
NOTE: Connect the green (or green/yellow) ground wire from the wiring conduit to the green (or bare) ground wire from the home power supply using UL listed wire connectors (see the "Make Electrical Power Supply Connections to Range Hood" section).



- | | |
|---|---------------------------------|
| A. UL listed or CSA approved 1/2" (1.3 cm) wiring conduit | E. Red wires |
| B. UL listed wire connectors | F. Blue wires |
| C. Black wires | G. Gray wires |
| D. White wires | H. Green (or green/yellow) wire |
| | I. 6-wire connector assembly |

7. Go to "Make Electrical Power Supply Connection to RangeHood" section.

Make Electrical Power Supply Connection to Range Hood

⚠ WARNING

Electrical Shock Hazard

Electrically ground blower.

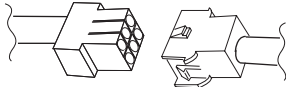
Connect ground wire to green and yellow ground wire in terminal box.

Failure to do so can result in death or electrical shock.

8. Connect the green (or yellow/green) ground wire to the green/yellow ground wire (H) in the terminal box using UL listed wire connectors.
9. Reinstall the in-line blower terminal box cover and screw.
10. Reinstall the front cover of the in-line blower housing and secure it with 10 mounting screws.

Electrical Connection Inside Range Hood Between In-line Blower System and Range Hood

1. With the range hood mounted (see the "Install Range Hood" section), locate the wiring cable connector inside the range hood.
2. Connect the 6-wire connector assembly supplied with the in-line blower motor system to the mating cable connector from the range hood.



3. Locate the terminal box inside the range hood and install a 1/2" (1.3 cm) UL listed or CSA approved strain relief (see "Complete Preparation" in the "Prepare Location" section).
4. Run the wire ends from the 6-wire connector assembly through the 1/2" (1.3 cm) strain relief, leaving enough wire length to make the wiring connections. Tighten the strain relief screws.
5. Connect the wires from the 6-wire connector assembly to the wires from the wiring conduit inside the range hood terminal box.

⚠ WARNING

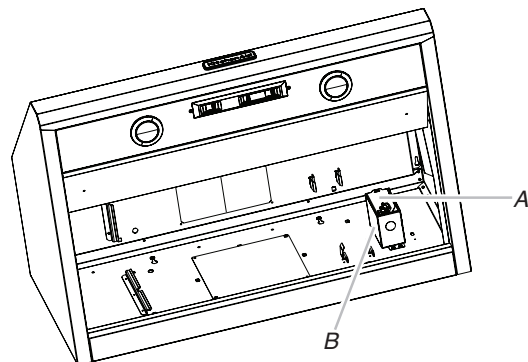
Electrical Shock Hazard

Disconnect power before servicing.

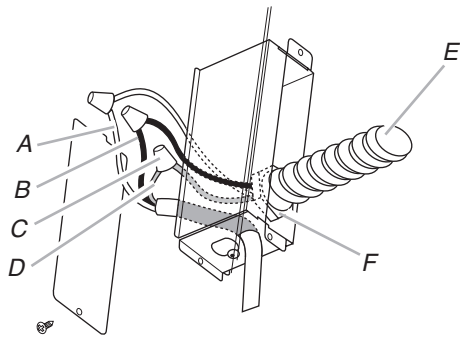
Replace all parts and panels before operating.

Failure to do so can result in death or electrical shock.

1. Disconnect power.
2. Locate terminal box inside of the range hood.

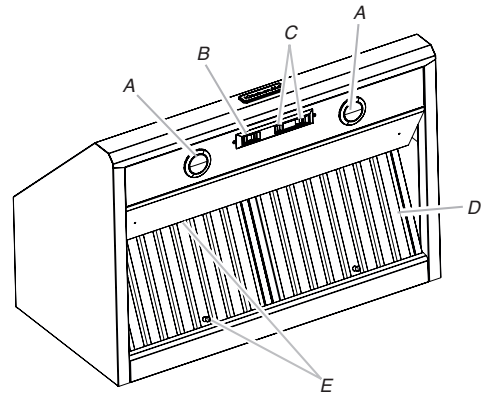


A. Terminal box cover
 B. Knockout in canopy back into terminal box



- A. White wires
- B. Black wires
- C. UL listed wire connectors
- D. Green, bare or yellow/green wires
- E. Home power supply
- F. UL listed or CSA approved 1/2" (1.3 cm) strain relief

3. Use UL listed wire connectors and connect black wires (B) together.
4. Use UL listed wire connectors and connect white wires (A) together.



- A. LED lights
- B. LED light switch
- C. Blower control switches
- D. Grease filter
- E. Grease filter handles

1. Install grease filters. See "Range Hood Care" section.
2. Check operation of the range hood blower and lights. See "Range Hood Use" section.

3. If range hood does not operate, check to see whether a circuit breaker has tripped or a household fuse has blown. Disconnect power supply and check that the wiring is correct.

NOTE: To get the most efficient use from your new range hood, read the "Range Hood Use" section.

⚠ WARNING



Electrical Shock Hazard

Electrically ground blower.

Connect ground wire to green and yellow ground wire in terminal box.

Failure to do so can result in death or electrical shock.

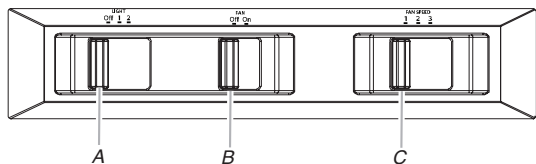
NOTE: When using an in-line blower motor system, the green (or green/yellow) ground wire in the conduit from the In-line blower motor system is to be connected with the green (or bare) wire of the home power supply cable and with the green/yellow wire (D) in the terminal box.

5. Connect green (or bare) ground wire from home power supply to the green/yellow ground wire (D) in terminal box using UL listed wire connectors.
6. Install terminal box cover.
7. Check that all light bulbs are secure in their sockets.
8. Reconnect power.

RANGE HOOD USE

The range hood is designed to remove smoke, cooking vapors and odors from the cooktop area. For best results, start the hood before cooking and allow it to operate several minutes after the cooking is complete to clear all smoke and odors from the kitchen.

The hood controls are located on the underside of the range hood.



- A. Light control
- B. Blower control
- C. Fan speed control

Range Hood Controls

Operating the light

1. Move the light switch to the “1” position to turn range hood light to night light setting.
2. Move the light switch to the “2” position to turn range hood light to full light setting.
3. Move the light switch to the “Off” position to turn range hood light OFF.

IMPORTANT: Flicker and visual fluctuation can be present every time the lamp switch is activated. The duration of the flicker will depend on the manner and velocity that the light switch changes position.

Operating the fan

1. Move the fan switch to the “On” position to turn the fan ON. The fan will begin operating at the speed set on the fan speed switch.
2. Move the fan switch to the “Off” position to turn the fan OFF.

Auto On Fan

The range hood is equipped with a sensor to automatically turn on the fan when excessive heat is detected in the control area. When the fan switch is in the “Off” position, this sensor will turn the fan to high speed when necessary. When the heat decreases, the fan will turn off.

When the fan switch is in the “On” position, the heat sensor is not active and the range hood functions normally.

Adjusting the fan

The fan has 3 speed controls. Move the fan speed switch to “1” position for low speed, “2” position for medium speed, or “3” position for high speed.

Thermal Protector

The range hood is equipped with a thermal protector to avoid overheating conditions. If the range hood shuts off while in use, move fan slider switch to Off to turn off the range hood. Wait approximately 60 minutes, then move slider to On to restart the range hood.

RANGE HOOD CARE

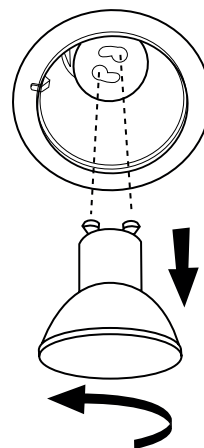
Range Hood Lamps

Replacing a LED Lamp

Turn off the range hood and allow the LED lamp to cool. To avoid damage or decreasing the life of the new bulb, do not touch bulb with bare fingers. Replace bulb, using tissue or wearing cotton gloves to handle bulb.

If new lamps do not operate, make sure the lamps are inserted correctly before calling service.

1. Disconnect power.
2. Push up on the lens and turn it counterclockwise.



3. Remove the bulb and replace it with a 120 V, 6.5 W maximum LED bulb with a GU10 base. Turn it clockwise to lock it into place.
4. Repeat steps 2-3 for the other bulbs if needed.
5. Reconnect power.

Cleaning

IMPORTANT: Clean the hood and grease filters frequently according to the following instructions. Replace grease filters before operating hood.

Exterior surfaces:

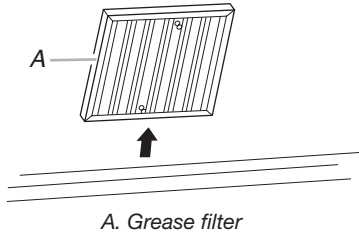
To avoid damage to the exterior surface, do not use steel wool or soap-filled scouring pads. Rub in direction of the grain line to avoid scratching the surface.

Always wipe dry to avoid water marks.

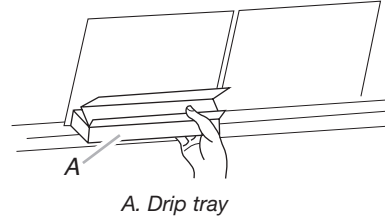
- Stainless Steel Cleaner and Polish.
- Mild liquid detergent and water.
- Wipe with damp soft cloth or nonabrasive sponge, then rinse with clean water and wipe dry.

Metal Filters and Drip Trays:

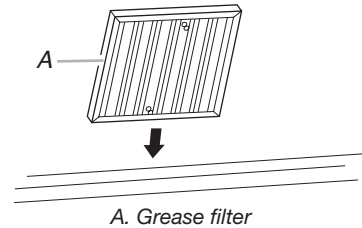
1. Use 2 hands to remove filters. Grasp filter handles, pull toward the front of range hood and pull down on the rear handle to remove. Repeat for each filter.



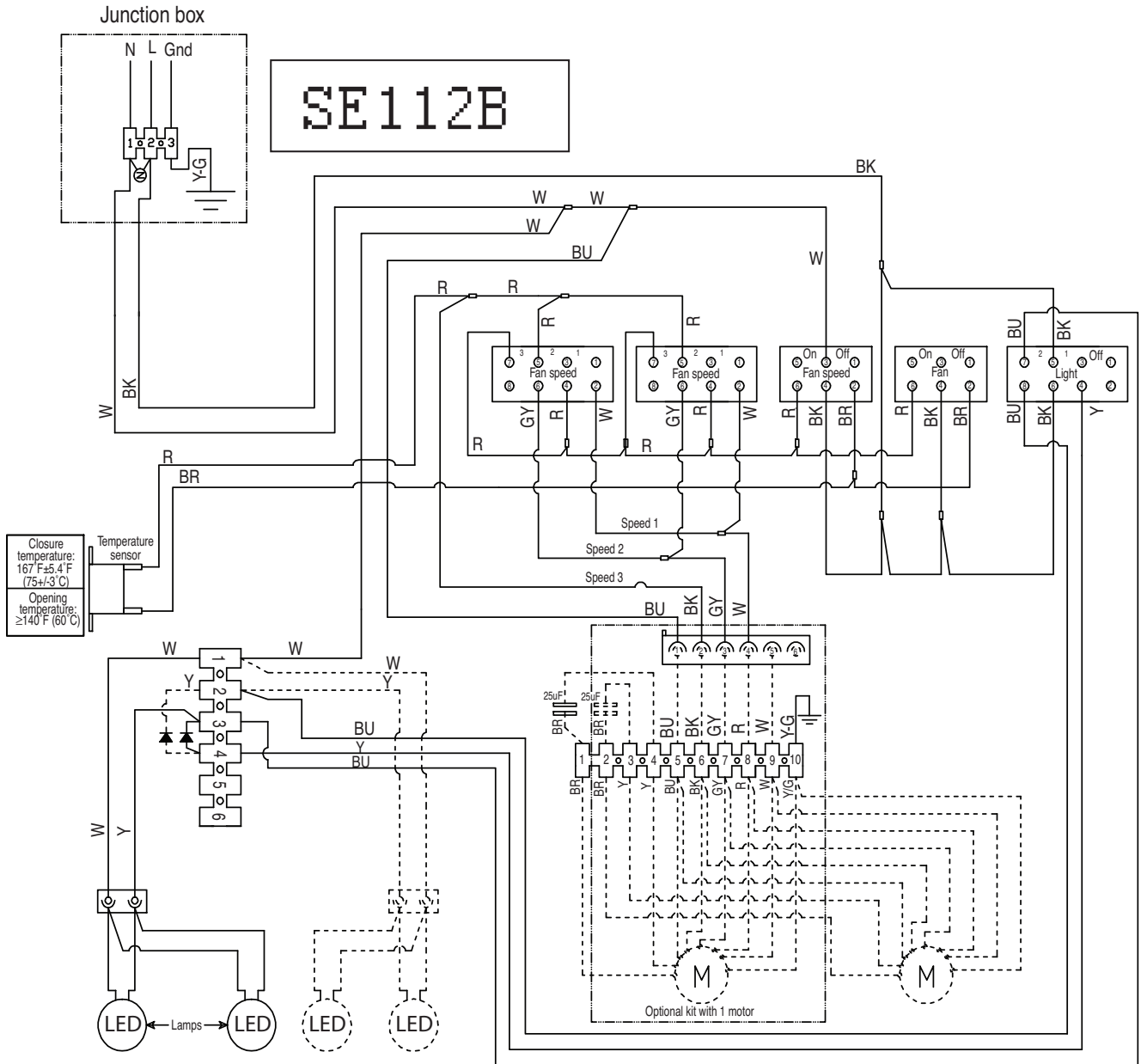
2. Remove grease drip tray.



3. Wash metal filters and grease trays as needed in dishwasher or hot detergent solution to clean.
4. Replace grease drip tray.
5. Reinstall filters, grasp filter handles and place front edge of filter into the hood. Push up on the back handle and set rear of filter into the drip tray to secure. Repeat for each filter.



WIRING DIAGRAM



| Motor Resistance (Ohms) | | |
|-------------------------|----------------------------|---------------------------|
| Blue-Red: 18 | Blue-White: 21.6 (minimum) | Blue-Black: 9.8 (maximum) |
| Blue-Gray: 14.3 | Room Temp: 73.4°F (23°C) | |

| Motor Characteristics | |
|-----------------------|-------------------------|
| Power supply: 120 VAC | Power absorption: 420 W |
| Frequency: 60 Hz | Current: 3.7 A |

| Switch operation with button "1-2-3" | | | |
|--------------------------------------|---------|---------|---------|
| Position | 1 | 2 | 3 |
| Connection | ④—② | ④—⑥ | ⑤—⑦ |
| Action | Speed 1 | Speed 2 | Speed 3 |

| Switch operation with button "ON-OFF" | | |
|---------------------------------------|----------|-----------|
| Position | ON | OFF |
| Connection | ④—⑥ | ④—② |
| Action | Motor ON | Motor OFF |

| Switch operation with button "Light" | | | |
|--------------------------------------|------------|---------------|----------------|
| Position | OFF | 1 | 2 |
| Connection | ④—② | ④—⑥ | ⑤—⑦ ⑥—⑧ |
| Action | Lights Off | Low Intensity | High Intensity |

ASSISTANCE OR SERVICE

When calling for assistance or service, please know the purchase date and the complete model and serial number of your appliance. This information will help us to better respond to your request.

If you need replacement parts

If you need to order replacement parts, we recommend that you use only factory specified parts. Factory specified parts will fit right and work right because they are made with the same precision used to build every new appliance. To locate factory specified replacement parts in your area, call us or your nearest designated service center.

In the U.S.A.

Call the KitchenAid Customer eXperience Center toll free: **1-800-422-1230**.

Our consultants provide assistance with:

- Features and specifications on our full line of appliances.
- Installation information.
- Use and maintenance procedures.
- Accessory and repair parts sales.
- Specialized customer assistance (Spanish speaking, hearing impaired, limited vision, etc.).
- Referrals to local dealers, repair parts distributors and service companies. KitchenAid designated service technicians are trained to fulfill the product warranty and provide after-warranty service, anywhere in the United States.

To locate the KitchenAid designated service company in your area, you can also look in your telephone directory Yellow Pages.

For further assistance

If you need further assistance, you can write to KitchenAid with any questions or concerns at:

KitchenAid Brand Home Appliances
Customer eXperience Center
553 Benson Road
Benton Harbor, MI 49022-2692

Please include a daytime phone number in your correspondence.

Accessories

Blower Motor Systems (1 system is required)

600 CFM Internal Blower Motor System - Order Model Number UXB0600DYS

1200 CFM Internal Blower Motor System - Order Model Number UXB1200DYS

600 CFM In-Line Blower Motor System - Order Model Number UXI0600DYS

1200 CFM In-Line Blower Motor System - Order Model Number UXI1200DYS

Full-Width Duct Cover

Order Part Number EXTKIT02ES for 30" (76.2 cm) model

Order Part Number EXTKIT04ES for 36" (91.4 cm) model

Order Part Number EXTKIT06ES for 48" (121.9 cm) model

Backsplash Kit (with shelves)

Order Part Number W10285447 for 30" (76.2 cm) model Order Part Number W10285448 for 36" (91.4 cm) model

Order Part Number W10285449 for 48" (121.9 cm) model

Backsplash Kit (with solid shelf)

Order Part Number W10225950 for 30" (76.2 cm) models

Order Part Number W10225949 for 36" (91.4 cm) models Order Part Number W10225948 for 48" (121.9 cm) models

Backsplash Kit (without shelf)

Order Part Number W10352734 for 30" (76.2 cm) model

Order Part Number W10352736 for 36" (91.4 cm) model Order Part Number W10352735 for 48" (121.9 cm) model

In Canada

Call the KitchenAid Canada Customer eXperience Centre toll free: **1-800-807-6777**.

Our consultants provide assistance with:

- Features and specifications on our full line of appliances.
- Use and maintenance procedures.
- Accessory and repair parts sales.
- Referrals to local dealers, repair parts distributors and service companies. KitchenAid Canada designated service technicians are trained to fulfill the product warranty and provide after-warranty service, anywhere in Canada.

For further assistance

If you need further assistance, you can write to KitchenAid Canada with any questions or concerns at:

Customer eXperience Centre
KitchenAid Canada
200 - 6750 Century Ave.
Mississauga, Ontario L5N 0B7

Please include a daytime phone number in your correspondence.

SÉCURITÉ DE LA HOTTE

Votre sécurité et celle des autres est très importante.

Nous donnons de nombreux messages de sécurité importants dans ce manuel et sur votre appareil ménager. Assurez-vous de toujours lire tous les messages de sécurité et de vous y conformer.



Voici le symbole d'alerte de sécurité.

Ce symbole d'alerte de sécurité vous signale les dangers potentiels de décès et de blessures graves à vous et à d'autres.

Tous les messages de sécurité suivront le symbole d'alerte de sécurité et le mot "DANGER" ou "AVERTISSEMENT". Ces mots signifient :

 **DANGER**

Risque possible de décès ou de blessure grave si vous ne suivez pas immédiatement les instructions.

 **AVERTISSEMENT**

Risque possible de décès ou de blessure grave si vous ne suivez pas les instructions.

Tous les messages de sécurité vous diront quel est le danger potentiel et vous disent comment réduire le risque de blessure et ce qui peut se produire en cas de non-respect des instructions.

IMPORTANTES INSTRUCTIONS DE SÉCURITÉ

AVERTISSEMENT : POUR RÉDUIRE LE RISQUE D'INCENDIE, DE DÉCHARGE ÉLECTRIQUE OU DE BLESSURES, RESPECTER LES INSTRUCTIONS SUIVANTES :

- Utiliser cet appareil uniquement selon les modalités d'utilisation prévues par le fabricant. Pour toute question, contacter le fabricant.
- Avant d'entreprendre une opération d'entretien ou de nettoyage sur l'appareil, interrompre l'alimentation de l'appareil au panneau de distribution et verrouiller ce dernier pour empêcher tout rétablissement accidentel de l'alimentation du circuit. Lorsqu'il n'est pas possible de verrouiller le tableau de distribution, placer sur ce dernier une étiquette d'avertissement bien en vue interdisant le rétablissement de l'alimentation.
- Tout travail d'installation ou câblage électrique doit être réalisé par une personne qualifiée, dans le respect des prescriptions de tous les codes et toutes les normes applicables, y compris les codes du bâtiment et de protection contre les incendies.
- Ne pas faire fonctionner un ventilateur dont le cordon ou la fiche est endommagé. Jeter le ventilateur ou le retourner à un centre de service agréé pour examen ou réparation.
- Une source d'air de débit suffisant est nécessaire pour que la combustion et l'évacuation des gaz puissent s'effectuer correctement par la cheminée de l'appareil à gaz, afin d'éviter tout reflux des gaz de combustion. Respecter les directives du fabricant de l'équipement de chauffage et les prescriptions des normes de sécurité – comme celles publiées par la National Fire Protection Association (NFPA) et l'American Society for Heating, Refrigeration and Air Conditioning Engineers (ASHRAE), ainsi que les prescriptions des autorités réglementaires locales.
- Lors des opérations de découpage et de perçage dans un mur ou un plafond, ne pas endommager les câblages électriques et les canalisations qui peuvent s'y trouver.
- Les ventilateurs d'évacuation doivent toujours décharger l'air vers l'extérieur.

MISE EN GARDE : Cet appareil est conçu uniquement pour la ventilation générale. Ne pas l'utiliser pour l'extraction de matières ou vapeurs dangereuses ou explosives.

MISE EN GARDE : Pour réduire le risque d'incendie et évacuer adéquatement les gaz, acheminer l'air aspiré par un conduit jusqu'à l'extérieur – ne pas décharger l'air aspiré dans un espace vide du bâtiment comme une cavité murale, un plafond, un grenier, un vide sanitaire ou un garage.

AVERTISSEMENT : POUR RÉDUIRE LE RISQUE D'INCENDIE, UTILISER UNIQUEMENT DES CONDUITS MÉTALLIQUES.

AVERTISSEMENT : POUR RÉDUIRE LE RISQUE D'UN FEU DE GRAISSE SUR LA CUISINIÈRE :

- Ne jamais laisser un élément de surface fonctionner à puissance maximale sans surveillance. Un renversement/débordement de matière grasseuse peut provoquer des flammes et générer de la fumée. Chauffer l'huile à une puissance moyenne ou basse.
- Veiller à toujours faire fonctionner le ventilateur de la hotte lors de la cuisson avec une puissance élevée ou lors de la cuisson d'un mets à flamber (à savoir crêpes Suzette, cerises jubilé, steak au poivre flambé).
- Nettoyer fréquemment le ventilateur d'extraction. Veiller à ne pas laisser la graisse s'accumuler sur les surfaces du ventilateur ou des filtres.
- Utiliser toujours un ustensile de taille appropriée. Utiliser toujours un ustensile adapté à la taille de l'élément chauffant.

AVERTISSEMENT : POUR RÉDUIRE LE RISQUE DE BLESSURES APRÈS LE DÉCLENCHEMENT D'UN FEU DE GRAISSE SUR LA CUISINIÈRE, RESPECTER LES RECOMMANDATIONS SUIVANTES*:

- Placer sur le récipient un couvercle bien ajusté, une tôle à biscuits ou un plateau métallique POUR ÉTOUFFER LES FLAMMES, puis éteindre le brûleur. VEILLER À ÉVITER LES BRÛLURES. Si les flammes ne s'éteignent pas immédiatement, ÉVACUER LA PIÈCE ET APPELER LES POMPIERS.
- NE JAMAIS PRENDRE EN MAIN UN RÉCIPIENT ENFLAMMÉ – Vous risquez de vous brûler.
- NE PAS UTILISER D'EAU ni de torchon humide – ceci pourrait provoquer une explosion de vapeur brûlante.
- Utiliser un extincteur SEULEMENT si :
 - Il s'agit d'un extincteur de classe ABC, dont on connaît le fonctionnement.
 - Il s'agit d'un petit feu encore limité à l'endroit où il s'est déclaré.
 - Les pompiers ont été contactés.
 - Il est possible de garder le dos orienté vers une sortie pendant l'opération de lutte contre le feu.

Recommandations tirées des conseils de sécurité en cas d'incendie de cuisine publiés par la NFPA.

- **AVERTISSEMENT :** Pour réduire le risque d'incendie ou de décharge électrique, ne pas utiliser ce ventilateur avec un dispositif de réglage de la vitesse à semi-conducteurs.
- Cet appareil n'est pas prévu pour être utilisé par des personnes (y compris les enfants) dont les capacités physiques, sensorielles ou mentales sont réduites, ou des personnes dénuées d'expérience ou de connaissances, sauf si elles ont pu bénéficier, par l'intermédiaire d'une personne responsable de leur sécurité, d'une surveillance ou d'instructions préalables concernant l'utilisation de l'appareil.

LIRE ET CONSERVER CES INSTRUCTIONS

EXIGENCES D'INSTALLATION

Outils et pièces

Rassembler les outils et pièces nécessaires avant d'entreprendre l'installation. Lire et observer les instructions fournies avec chacun des outils de la liste ci-dessous.

Outils nécessaires

- Niveau
- Perceuse
- Foret de 1 ¼ po (3 cm)
- Foret de 1/8 po (3 mm) en cas d'installation dans du bois
- Foret de 5/16 po (8 mm) en cas d'installation d'un dossieret (facultatif)
- Foret de 5/16 po (5 mm) en cas d'installation d'un système avec moteur de ventilateur en ligne
- Crayon
- Pince à dénuder ou couteau à lame rétractable
- Ruban à mesurer ou règle
- Pince
- Pistolet à calfeutrage et calfeutrant étanche
- Brides de conduit
- Scie sauteuse ou scie à guichet
- Tournevis à tête plate
- Cisaille à métaux
- Tournevis à tête cruciforme
- Ciseaux

Pièces nécessaires

- Câble d'alimentation électrique du domicile
- 1 serre-câbles de 1/2 po (12,7 mm) homologué UL ou CSA
- 3 connecteurs de fils homologués UL
- 1 bouche de décharge (décharge à travers le mur ou à travers le toit)
- Circuit d'évacuation métallique
- Système du moteur du ventilateur – interne ou externe (voir le point « Système du moteur du ventilateur » dans la section « Accessoires »).

Pièces fournies

Retirer les pièces de leur emballage. Vérifier que toutes les pièces sont présentes.

- 2 filtres à graisse en métal pour les modèles de 30 po (76,2 cm) et de 36 po (91,4 cm), et 3 filtres à graisse en métal pour les modèles de 48 po (121,9 cm)
- Hotte avec lampes halogènes installées.
- 1 raccord de conduit carré 10 po (25,4 cm) à rond 10 po (25,4 cm) avec clapet
- Support en bois
- Plateaux d'égouttement à graisse
- 4 vis de montage de 6 x 80 mm
- 4 vis de 3,5 x 9,5 mm
- 6 vis de 4,2 x 19 mm
- 2 rondelles D5.3 x 20 mm
- 2 chevilles d'ancrage de 10 x 50 mm
- Adaptateur TORX[†] T-20

Exigences d'emplacement

IMPORTANT : Observer les dispositions de tous les codes et règlements en vigueur.

Confier l'installation de la hotte à un technicien qualifié. C'est à l'installateur qu'incombe la responsabilité de respecter les distances de séparation spécifiées sur la plaque signalétique. La plaque signalétique de l'appareil est située à l'intérieur, près de la paroi arrière de la hotte.

On doit toujours installer la hotte à distance des sources de courant d'air (fenêtres, portes et bouches de chauffage).

Respecter les dimensions indiquées pour les ouvertures à découper dans les armoires. Ces dimensions représentent les valeurs minimales des dégagements.

Cette hotte a été configurée à l'usine pour une décharge à travers le toit ou à travers le mur.

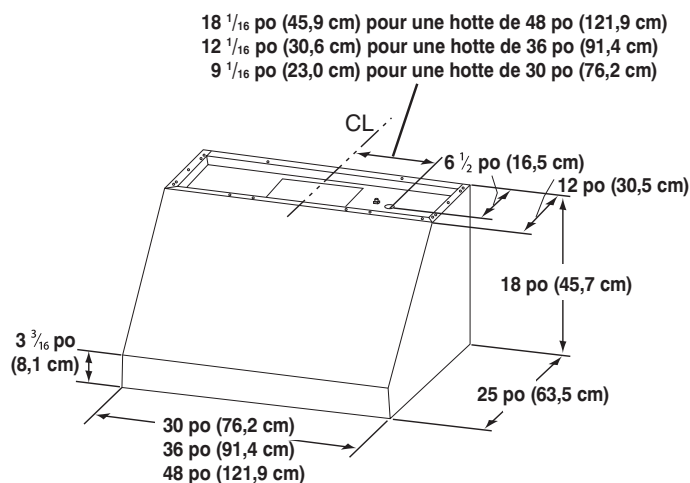
Assurer l'étanchéité au niveau de chaque ouverture découpée dans le plafond ou le mur pour l'installation de la hotte de cuisinière.

Pour une installation dans une résidence mobile

L'installation de cette hotte doit s'effectuer conformément aux descriptions de la norme Manufactured Home Construction Safety Standards, Title 24 CFR, Part 328 (anciennement Federal Standard for Mobile Home Construction and Safety, title 24, HUD, Part 280) ou lorsque cette norme n'est pas applicable, utiliser la norme Standard for Manufactured Home Installations 1982 (Manufactured Home Sites, Communities and Setups) ANSI A225.1/NFPA 501A ou respecter les dispositions des codes locaux.

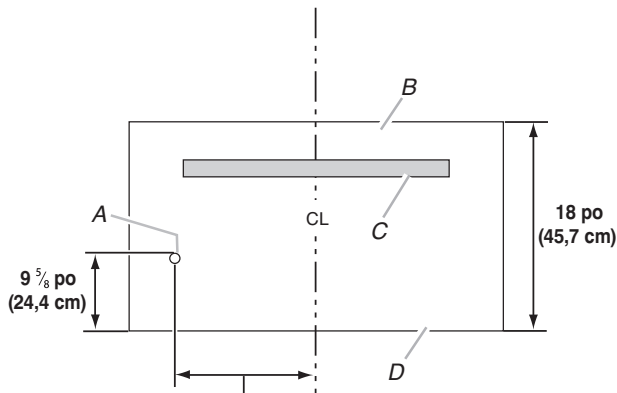
Dimensions du produit

Vue de face



† TORX est une marque déposée de Saturn Fasteners, Inc.

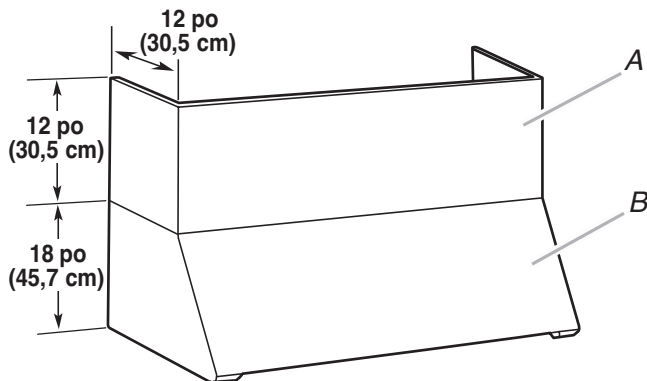
Vue arrière



18 ¹³/₁₆ po (47,8 cm) pour une hotte de 48 po (121,9 cm)
 12 ¹³/₁₆ po (32,5 cm) pour une hotte de 36 po (91,4 cm)
 9 ¹³/₁₆ po (24,9 cm) pour une hotte de 30 po (76,2 cm)

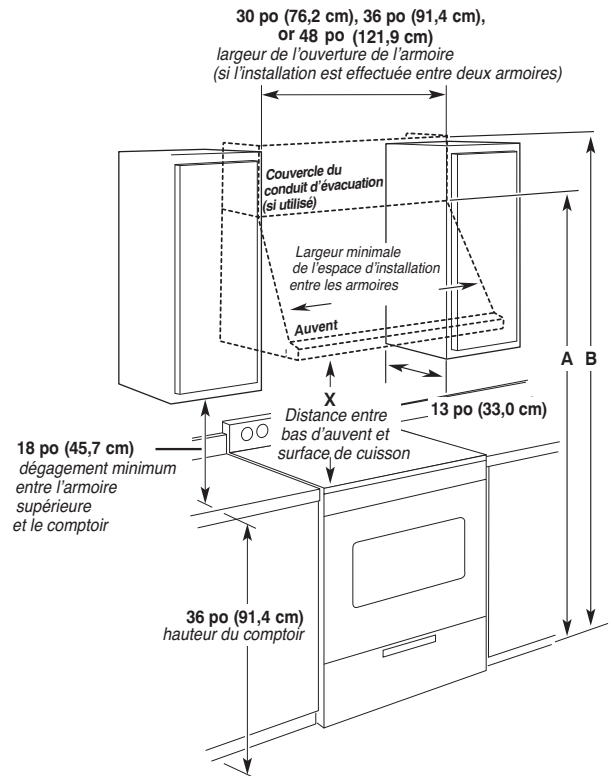
A. Opercule du couvercle du boîtier de connexion
 B. Haut de la hotte
 C. Support en bois
 D. Bas de la hotte

Installations alternatives avec cache-conduit pleine largeur



A. Cache-conduit pleine largeur (facultatif)
 B. Hotte

Dimensions d'installation



A. Pour les installations avec hotte uniquement :
 78 po (198,1 cm) minimum au-dessus de la surface de cuisson électrique, 84 po (213,4 cm) minimum au-dessus de la surface de cuisson au gaz

B. Pour les installations avec cache-conduit facultatif :
 90 po (228,6 cm) minimum au-dessus de la surface de cuisson électrique, 96 po (243,8 cm) minimum au-dessus de la surface de cuisson au gaz

IMPORTANT :

Valeur minimale de la distance « X » : 24 po (61 cm) à partir des surfaces de cuisson électriques
 Valeur minimale de la distance « X » : 30 po (76,2 cm) à partir des surfaces de cuisson au gaz
 Valeur maximale suggérée pour la distance « X » : 36 po (91,4 cm)

Exigences d'évacuation

- Le système doit évacuer l'air à l'extérieur.
- Ne pas terminer le circuit d'évacuation dans un grenier ou dans un autre espace clos.
- Ne pas utiliser de bouches de décharge murale de 4 po (10,2 cm) normalement utilisées pour un équipement de buanderie.
- Utiliser un conduit métallique uniquement. Un conduit en métal rigide est recommandé. Il n'est pas recommandé d'utiliser un conduit en plastique ou en métal très mince.
- La longueur du circuit d'évacuation et le nombre de coudes doivent être réduits au minimum pour des performances optimales.

Pour un fonctionnement efficace et silencieux :

- Ne pas utiliser plus de trois coudes à 90°.
- Veiller à incorporer une section de conduit rectiligne d'au moins 24 po (61,0 cm) si plus d'un raccord coudé sont utilisés.
- Ne pas installer 2 coudes ensemble.
- Au niveau de chaque jointure du circuit d'évacuation, assurer l'étanchéité avec les brides de serrage.
- Le circuit d'évacuation doit comporter un clapet anti-reflux. Si la bouche de décharge murale ou par le toit comporte un clapet anti-reflux, ne pas utiliser le clapet fourni avec la hotte de cuisinière.
- À l'aide d'un produit de calfeutrage, assurer l'étanchéité autour de la bouche de décharge à l'extérieur (à travers le mur ou le toit).
- La taille du conduit doit être uniforme.

Installations dans les régions au climat froid

Un clapet anti-reflux additionnel devrait être installé pour minimiser le reflux d'air froid et une barrière thermique devrait aussi être installée pour minimiser la conduction des températures extérieures par l'intermédiaire du conduit d'évacuation. Le clapet anti-reflux doit être placé du côté air froid de la barrière thermique.

La barrière thermique doit être aussi proche que possible de l'entrée du circuit d'évacuation dans la partie chauffée de la maison.

Air de compensation

Les codes locaux en bâtiment peuvent imposer l'emploi d'un circuit de renouvellement de l'air/introduction d'air de compensation, lors de l'utilisation d'un circuit d'aspiration de débit supérieur à une valeur spécifiée en pieds cubes par minute (CFM). Le débit spécifié en pieds cubes par minute varie d'une juridiction à l'autre. Consulter un professionnel des installations de chauffage ventilation/climatisation au sujet des exigences spécifiques applicables dans la juridiction locale.

Méthodes d'évacuation

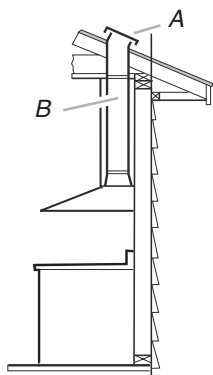
Installations d'évacuation typiques avec système de moteur de ventilateur interne

Un circuit d'évacuation en conduit rond de 10 po (25,4 cm) est nécessaire pour l'installation (non fourni). La hotte comporte une ouverture de sortie d'un diamètre de 10 po (25,4 cm).

REMARQUE : L'emploi d'un conduit flexible est déconseillé. Un conduit flexible peut causer une contre-pression et des turbulences d'air, qui réduisent considérablement la performance.

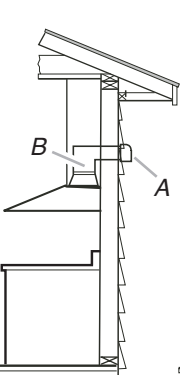
La sortie à l'extérieur du circuit d'évacuation peut se faire à travers le toit ou le mur.

Décharge à travers le toit



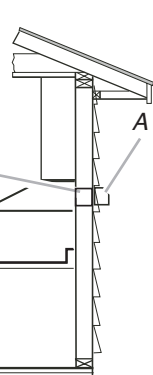
A. Bouche de décharge sur toit
B. Conduit rond de 10 po (25,4 cm)

Décharge à travers le mur



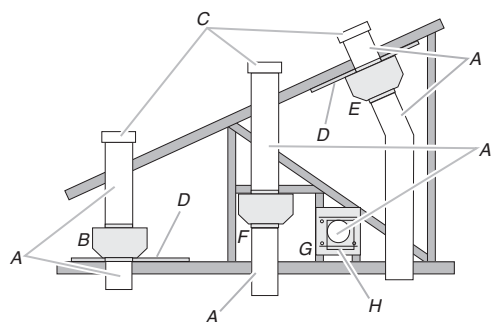
A. Bouche de décharge murale
B. Conduit rond de 10 po (25,4 cm)

Décharge à travers le mur



A. Bouche de décharge murale
B. Conduit rond de 10 po (25,4 cm)

Installations d'évacuation typiques avec système de moteur de ventilateur en ligne



A. Conduit rond de 10 po (25,4 cm)
B. Montage au-dessus des solives.
C. Bouches de décharge sur toit
D. Contre-plaqué (facultatif pour certaines installations)
E. Montage sous les chevrons.
F. Montage sur traverses de ferme.
G. Conduit horizontal, montage sur traverses de ferme.
H. Bouche de décharge murale

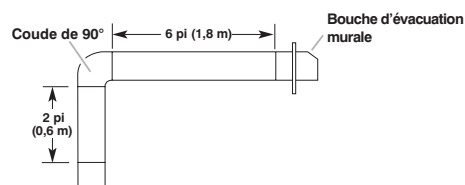
Calcul de la longueur du circuit d'évacuation

Pour calculer la longueur effective du circuit d'évacuation nécessaire, additionner les longueurs équivalentes (en pieds ou mètres) de tous les composants utilisés dans le circuit.

| Composant | Longueur équivalente |
|--------------|----------------------|
| Coude de 45° | 2,5 pi (0,8 m) |
| Coude de 90° | 5 pi (1,5 m) |

Les longueurs maximales équivalentes de conduit sont les suivantes :
Conduit rond de 10 po (25,4 cm) – 60 pi (18,3 m)

Exemple de circuit d'évacuation



Dans l'exemple suivant, la longueur de conduit respecte la longueur de conduit recommandée maximale.

| | |
|--------------------------------|-----------------|
| 1 coude de 90° | = 5 pi (1,5 m) |
| 1 bouche de décharge murale | = 0 pi (0 m) |
| Section droite de 8 pi (2,4 m) | = 8 pi (2,4 m) |
| Longueur du circuit | = 13 pi (3,9 m) |

Spécifications électriques

Observer les dispositions de tous les codes et règlements en vigueur. S'assurer que l'installation électrique est appropriée et conforme au National Electrical Code, à la norme ANSI/NFPA 70 (plus récente édition) ou à la norme CSA C22.1-94, au Code canadien de l'électricité, partie 1 et C22.2 No 0-M91 (plus récente édition) et à tous les codes et règlements locaux.

Si les codes le permettent et si on utilise un conducteur distinct de mise à la terre, il est recommandé qu'un électricien qualifié vérifie la qualité de la mise à la terre.

Pour obtenir un exemplaire des normes des codes ci-dessus, contacter :

National Fire Protection Association
One Batterymarch Park
Quincy, MA 02269
CSA International
8501 East Pleasant Valley Road
Cleveland, OH 44131-5575

- L'appareil doit être alimenté par un circuit de 120 V CA à 60 Hz seulement et protégé par fusible de 15 A.
- Si le domicile possède un câblage en aluminium, suivre la procédure ci-dessous :
Connecter le câblage en aluminium en utilisant des capuchons ou des outils spécialement conçus et homologués UL pour raccorder le cuivre à l'aluminium.
Suivre la procédure recommandée par le fabricant de connecteurs électriques. Les raccordements aluminium/cuivre doivent satisfaire aux prescriptions des codes locaux et de l'industrie, et être conformes aux pratiques de câblage reconnues.
- Le calibre des conducteurs et les connexions doivent être compatibles avec les caractéristiques électriques de l'appareil spécifiées sur la plaque signalétique. La plaque signalétique de l'appareil est située derrière le filtre, sur la paroi arrière de la hotte.
- Le calibre des câbles et des raccordements doit être conforme au National Electrical Code, ANSI/NFPA 70 (édition la plus récente) ou CSA Standards C22.1-94, Code canadien des installations électriques, partie 1 et C22.2 No 0-M91 (édition la plus récente) et de tous les codes et règlements en vigueur.

INSTRUCTIONS D'INSTALLATION

Préparation de l'emplacement

- Il est recommandé que l'installation du circuit d'évacuation soit réalisée avant celle de la hotte.
 - Suivre les instructions fournies avec le dossier (facultatif) pour procéder à son installation.
 - Avant d'effectuer des découpes, s'assurer que l'espace est suffisant sur le mur ou le plafond pour le conduit d'évacuation.
 - Vérifier que les pièces d'installation ont été retirées du carton d'expédition.
1. Débrancher l'alimentation.
 2. Déterminer la méthode d'évacuation à utiliser : évacuation par le plafond ou par le mur.
 3. Choisir une surface plane pour l'assemblage de la hotte. Placer le matériau de protection sur cette surface.

AVERTISSEMENT

Risque du poids excessif

Utiliser deux ou plus de personnes pour déplacer et installer la hotte de la cuisinière.

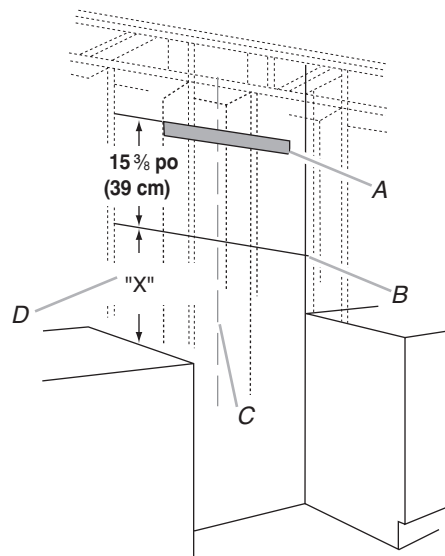
Le non-respect de cette instruction peut causer une blessure au dos ou d'autre blessure.

4. À l'aide de deux personnes ou plus, soulever la hotte et la poser sur la surface couverte.

Installation des vis de montage de la hotte

La hotte est fixée au mur avec le support en bois qui est fixé à l'arrière de la hotte.

1. Déterminer l'emplacement de l'axe central sur le mur à l'endroit où la hotte sera installée et le tracer.
2. Sélectionner une hauteur de montage « X » comprise entre un minimum de 24 po (61cm) pour une surface de cuisson électrique ou un minimum de 30 po (76,2 cm) pour une surface de cuisson au gaz et un maximum suggéré de 36 po (91,4cm), entre le dessus de la surface de cuisson et le bas de la hotte et marquer une ligne de repérage horizontale sur le mur.
3. Ôter le support en bois de l'arrière de la hotte en desserrant les 2 vis de l'intérieur. Placer et mettre d'aplomb le support en bois de 15 3/8 po (39,1 cm) au-dessus de la ligne de repérage horizontale et le centrer sur la ligne verticale. Installer le support en bois à l'aide de 2 à 4 vis de 6 x 80 mm de façon à ce qu'il soit vissé dans au moins 2 goujons verticaux.



- A. Support en bois
B. Bas de la hotte
C. Ligne centrale
D. Dimension « X » = hauteur de montage de la hotte

REMARQUE : Les vis fournies pour le montage de cette hotte doivent être fixées dans du bois massif. Ne pas fixer uniquement dans du Placoplâtre.

Achever la préparation

1. Déterminer et marquer toutes les lignes de découpage nécessaires sur le mur ou le plafond pour le passage du circuit d'évacuation. Installer le système d'évacuation avant la hotte. Voir la section « Exigences concernant l'évacuation ».
 2. Déterminer l'emplacement de passage du câble d'alimentation à travers le mur.
 3. Percer un trou de 1 1/4 po (3,2 cm) à cet emplacement.
 4. Tirer suffisamment de câble d'alimentation à travers le mur pour permettre un raccordement facile jusqu'à la boîte de connexion.
 5. Installer le raccord de transition (pour conduit carré de 10 po (25,4 cm) et conduit rond de 10 po (25,4 cm) avec volet de réglage au sommet de la hotte ou son arrière (selon votre installation) à l'aide de 4 vis de 3,5 x 9,5 mm. Retirer le volet de réglage du raccord de transition lors du montage de l'arrière de la hotte.
- REMARQUE :** Il y a un couvercle plat de 8 3/4 po (22,2 cm) monté sur le panneau arrière de la hotte. Il doit couvrir l'orifice d'évacuation qui se trouve sur le panneau arrière de la hotte pour l'évacuation supérieure ou il doit être retiré et réinstallé pour couvrir l'orifice d'évacuation qui se trouve sur le panneau supérieur de l'évacuation horizontale.
6. Retirer le couvercle du boîtier de connexion et le mettre de côté.
 7. Ôter l'opercule de l'arrière de la hotte et installer un serre-câbles de 1/2 po (1,3 cm) (homologation UL ou CSA).
 8. Placer la hotte près de sa position de montage et faire passer le câble d'alimentation à travers le serre-câbles dans le boîtier de connexion (suffisamment pour établir la connexion).
 9. Serrer les vis du serre-câbles.

REMARQUE : Il est nécessaire d'acheter un moteur de ventilateur intégré ou externe (déporté) avec votre hotte.

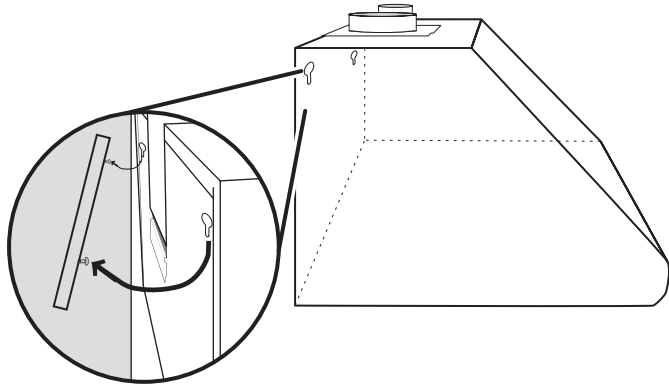
Pour les systèmes de ventilation intégrés, il y a des pièces de montage du moteur du ventilateur dans le sachet des accessoires d'installation qui doivent être ajoutées à la hotte avant de la monter au mur. Voir la section « Installer le moteur du ventilateur intégré de la hotte » et les instructions fournies avec le moteur du ventilateur.

Installation de la hotte

La hotte se fixe au mur à l'aide de 2 vis de montage dans le support en bois monté sur le mur dans la section « Installation des vis de montage de la hotte ».

1. À l'aide d'au moins 2 personnes, suspendre la hotte au mur en plaçant les fentes de l'arrière de la hotte sur les 2 vis montées sur le support en bois monté sur le mur.

REMARQUE : Si votre installation utilise le cache-conduit facultatif, le système de ventilation doit être connecté à la hotte et le cache conduit monté au sommet de la hotte avant de serrer les vis de montage. Voir les étapes 3 à 5.



2. Pousser la hotte dans les fentes étroites, aligner le bas de la hotte sur la ligne horizontale, établir l'aplomb la hotte, et serrer les 2 vis de montage.
3. Marquer les emplacements des 2 trous de montage inférieurs. Percer des avant-trous de 1/8 po (0,32 cm) si les trous sont situés dans du bois. Si les trous ne sont pas situés dans du bois, percer deux avant-trous de 3/8 po (0,95 cm) et insérer des chevilles d'ancrage mural de 10 x 50 mm. Installer les 2 vis de 6 x 80 mm (avec des rondelles D5.3 x 20 mm) dans les chevilles de montage inférieures et serrer.
4. Insérer 4 vis de 4,2 x 19 mm à travers l'arrière de la hotte dans le support en bois et serrer.
5. Connecter le circuit d'évacuation à la hotte. Utiliser des brides de serrage pour sceller chaque connexion.

REMARQUE : Si votre installation utilise le cache-conduit pleine largeur (facultatif), fixer ce dernier au sommet de la hotte à l'aide des vis fournies conformément aux instructions données. Pour des renseignements sur la commande du cache-conduit facultatif, voir la section « Accessoires ».

Installation du moteur du ventilateur intégré de la hotte

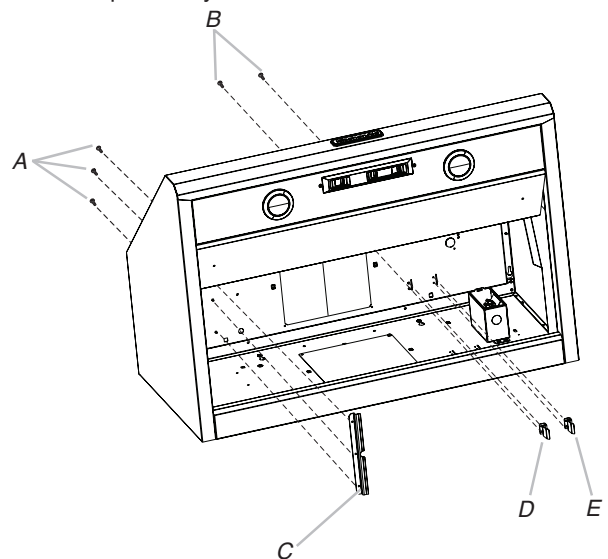
REMARQUE : Il est nécessaire d'acheter un moteur de ventilateur intégré ou externe (déporté) avec votre hotte. Voir le point « système de moteur du ventilateur » dans la section « Accessoires ».

Le système de ventilation interne peut être monté pour une évacuation supérieure ou une évacuation horizontale. Pour la ventilation supérieure, la bride de montage et l'attache à ressort fournies avec le système de ventilation seront montées sur le panneau supérieur de la hotte. Pour la ventilation horizontale, la bride de montage et l'attache à ressort fournies avec le système de ventilation seront montées sur le panneau arrière de la hotte.

Préparation du système de ventilation interne

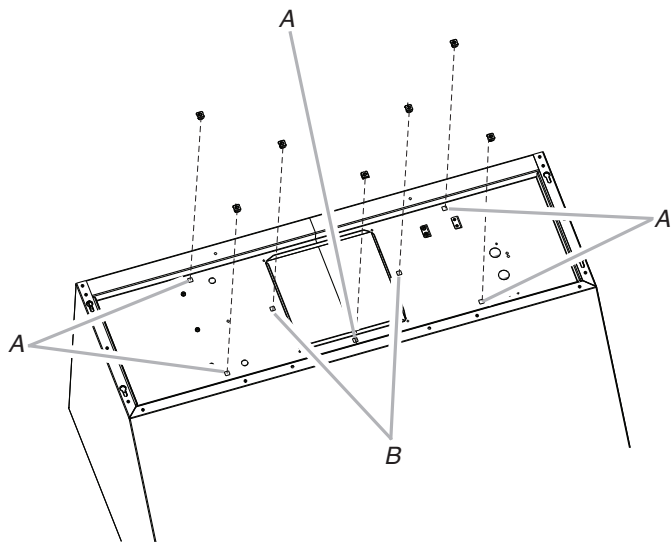
IMPORTANT : Exécuter les étapes 1 à 4 avant de monter la hotte.

1. Retirer les filtres à graisse de la hotte. Voir la section « Entretien de la hotte » du « Guide d'utilisation et d'entretien ».
2. Monter le support du moteur à l'aide des trois vis de 4,2 x 8 mm. Visser le support en haut à l'intérieur ou à l'arrière (autre emplacement sur certains modèles), du côté gauche de la hotte.
3. Installer la languette à ressort du moteur à l'aide des deux vis de 4,2 x 8 mm. Visser la languette à ressort en haut à l'intérieur ou à l'arrière (autre emplacement sur certains modèles) de la hotte, à l'endroit correct selon le système de moteur sélectionné. Glisser la patte de montage de la languette à ressort par la fente dans le panneau et la fixer à l'aide des vis. Utiliser les trous de montage intérieurs pour le système à un seul ventilateur. Utiliser les trous de montage extérieurs pour le système à deux ventilateurs.



- A. 3 vis 4,2 x 8 mm pour le support de montage du moteur
- B. 2 vis 4,2 x 8 mm pour la languette à ressort du moteur
- C. Support de montage du moteur
- D. Languette à ressort du moteur (emplacement pour système à un seul ventilateur)
- E. Languette à ressort du moteur (emplacement pour système à deux ventilateurs)

4. Fixer les écrous de 6 mm à l'extérieur de la hotte, en haut ou à l'arrière (autre emplacement sur certains modèles), à l'endroit correct selon le système de ventilation sélectionné.
 - Deux écrous de 6 mm sont nécessaires pour le système à un seul ventilateur. Emboîter les écrous dans les petites encoches carrées situées à droite et à gauche de l'ouverture d'évacuation carrée.
 - Cinq écrous de 6 mm sont nécessaires pour le système à deux ventilateurs. Emboîter les écrous dans les petites encoches carrées, l'une située à l'avant de l'ouverture d'évacuation carrée et les quatre autres à gauche et à droite de l'ouverture d'évacuation carrée.



A. Emplacement des 5 écrous à emboîter pour le système à deux ventilateurs

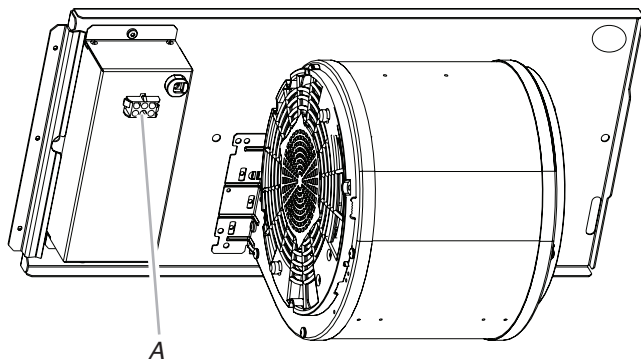
B. Emplacement des 2 écrous à emboîter pour le système à un seul ventilateur

5. Monter la hotte. Voir la section « Installation de la hotte ».

Installation du moteur du ventilateur intégré de la hotte

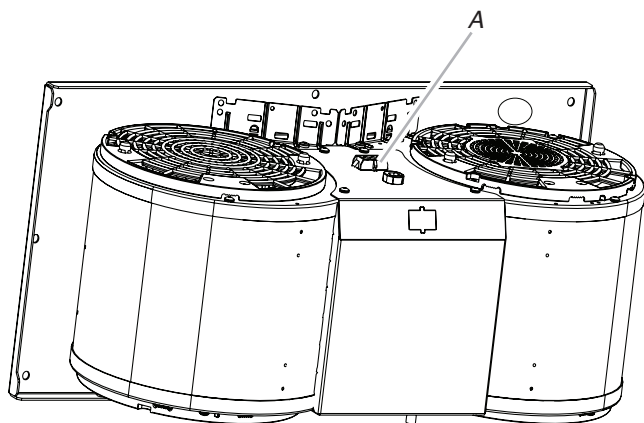
1. Installer le moteur du ventilateur de la hotte à l'intérieur de l'auvent, connexion du câblage à gauche pour le système à ventilateur unique et à l'avant ou au-dessus pour le système à deux ventilateurs.

Ensemble à un seul moteur-ventilateur



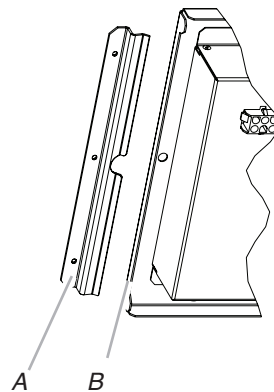
A. Connexion du câblage

Ensemble à deux moteurs-ventilateurs



A. Connexion du câblage

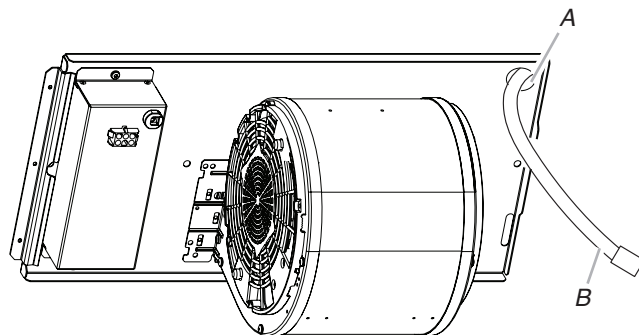
2. Glisser le rebord gauche de la plaque de montage sous le support de montage du moteur.



A. Support de montage du moteur

B. Rebord gauche de la plaque de montage

3. Faire passer les câbles d'alimentation et le connecteur de la hotte par le trou de droite sur la plaque de montage du moteur.

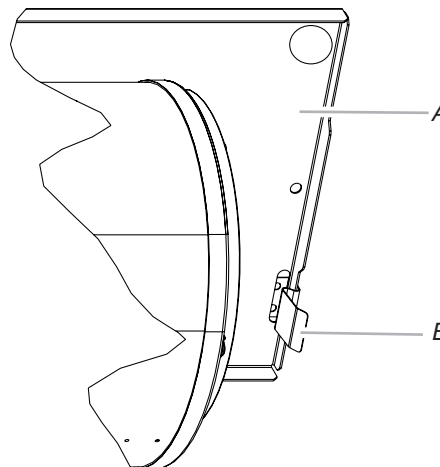


A. Trou de la plaque de montage du moteur

B. Câbles d'alimentation et connecteur

4. Pousser vers le haut le côté droit de la plaque de montage du moteur et l'enclencher dans la languette à ressort.

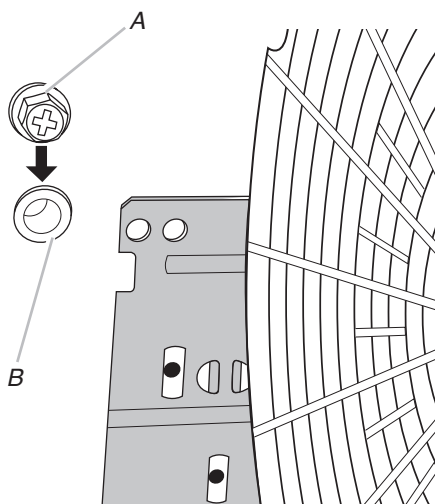
REMARQUE : La languette à ressort doit être à l'extérieur de la fente de la plaque de montage.



A. Plaque de montage du moteur

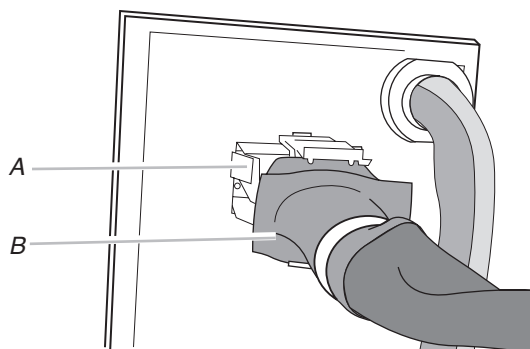
B. Languette à ressort

5. Aligner les trous de montage et installer 6 vis de 16 mm et rondelles de 6,4 mm.



A. Vis avec rondelle-frein
B. Trou de montage

6. Fixer le connecteur du cordon d'alimentation de la hotte au connecteur du boîtier de connexion du moteur du ventilateur.



A. Connecteur de la boîte de câblage
B. Connecteur du cordon d'alimentation de la hotte

7. Aller à la section « Réalisation des connexions électriques de la hotte ».

Installation du moteur du ventilateur déporté (externe) de la hotte

REMARQUE : Il est nécessaire d'acheter un moteur de ventilateur intégré ou externe (déporté) avec votre hotte. Voir le point « système de moteur du ventilateur » dans la section « Accessoires ».

Préparation du montage du système de ventilation déporté

Le système de ventilation déporté doit être fixé à une structure sécurisée de la toiture, du plafond, mur, sol, ou une nouvelle charpente ou une charpente préexistante. Les 4 trous sur l'entrée (bas) ou la sortie (haut) du ventilateur doivent être utilisés pour monter le système de ventilation en ligne à la structure.

REMARQUE : Les emplacements des trous de montage doivent traverser les poteaux de colombage. Des pans à colombage supplémentaires pourraient s'avérer nécessaires. Il est possible d'utiliser du contre-plaqué pour couvrir les zones qui se trouvent entre les solives de plafond ou les chevrons du toit afin de faciliter l'installation. Cette structure doit être suffisamment solide pour supporter le poids du système de ventilation déporté (50 lb [22,6 kg] min).

Préparation du système de ventilation en ligne

⚠ AVERTISSEMENT

Risque du poids excessif

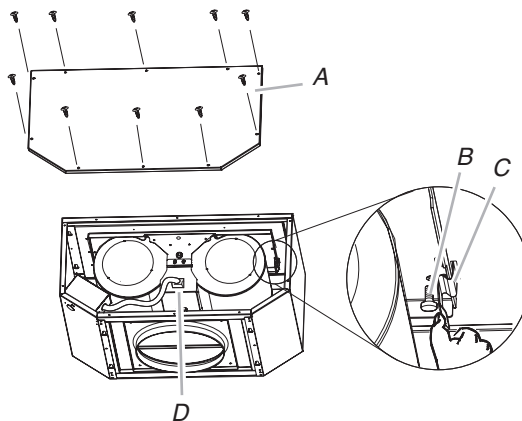
Utiliser deux ou plus de personnes pour déplacer et installer le système du moteur du ventilateur en ligne.

Le non-respect de cette instruction peut causer une blessure au dos ou d'autre blessure.

1. À l'aide d'au moins 2 personnes, déplacer le système du moteur du ventilateur en ligne jusqu'à l'emplacement de montage.
2. Enlever les 10 vis du couvercle avant du carter du moteur du ventilateur déporté et les mettre de côté.
3. Enlever le couvercle avant du carter du moteur du ventilateur déporté et le mettre de côté.

REMARQUE : L'ensemble moteur-ventilateur peut être retiré pour faciliter le montage du carter du moteur du ventilateur. Si l'on ne souhaite pas retirer l'ensemble moteur-ventilateur, passer à « Installation du système de ventilation en ligne » dans cette section.

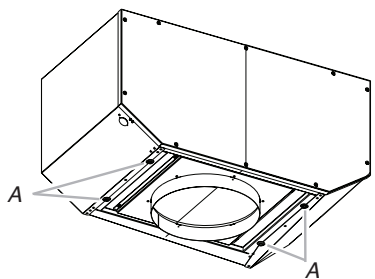
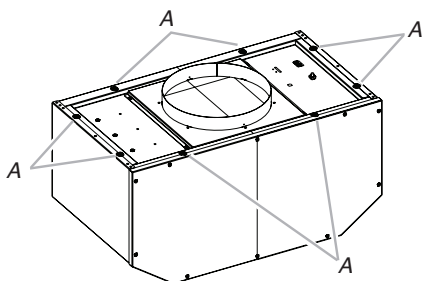
4. Débrancher la prise électrique du moteur de l'ensemble moteur-ventilateur.
5. Enlever les vis qui fixent l'ensemble moteur-ventilateur au carter du ventilateur déporté et les mettre de côté.
6. Tirer sur la languette à ressort pour dégager l'ensemble moteur-ventilateur. Retirer l'ensemble moteur-ventilateur du carter et le placer sur une surface couverte.



A. Couvercle avant
B. Vis de montage du ventilateur
C. Languette à ressort
D. Prise électrique du moteur

Installation du système de ventilation déporté

REMARQUE : Le carter du moteur du ventilateur peut être monté en utilisant 4 trous situés à l'entrée ou à la sortie du ventilateur.

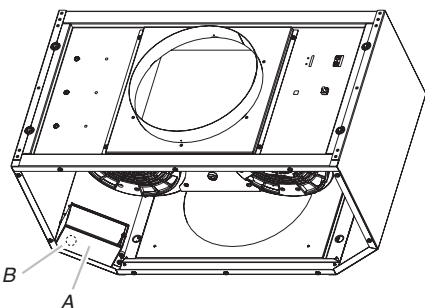


A. Trous de montage

1. Positionner le carter du système de ventilation déporté dans son emplacement de montage et marquer l'emplacement des 4 trous de montage.
2. Percer 4 avant-trous de montage en utilisant le foret de 3/16 po (0,48 cm).
3. Fixer le carter du moteur du ventilateur déporté à l'emplacement de montage avec quatre vis de montage et rondelles 6 x 80 mm.
4. Réinstaller l'ensemble moteur-ventilateur s'il a été enlevé et le fixer avec les vis enlevées précédemment.
5. Rebrancher le cordon de la fiche électrique du moteur au connecteur de l'ensemble moteur-ventilateur s'il a été enlevé.

Achever la préparation

1. Déterminer et marquer l'emplacement de toutes les lignes de découpage nécessaires pour le passage du circuit d'évacuation. **IMPORTANT :** Lors des opérations de découpage et de perçage dans un mur ou un plafond, veiller à ne pas endommager les câblages électriques ou canalisations qui peuvent s'y trouver.
2. Déterminer l'emplacement de passage du conduit de câblage de 1/2 po (1,3 cm) à travers le plafond ou le mur entre le ventilateur en ligne et la hotte.
3. Percer un trou de 1 1/4 po (3,2 cm) à cet emplacement.
4. Localiser les boîtiers de connexion dans le carter du ventilateur intégré et la hotte (voir le point « Achever la préparation » dans la section « Préparation de l'emplacement »). Retirer les couvercles du boîtier de connexion et les mettre de côté avec les vis.



A. Boîtier de connexion
B. Opercule

5. Retirer l'opercule du carter du ventilateur intégré et de la hotte (voir « Achever la préparation » dans la section « Préparation de l'emplacement ») afin de préparer l'installation du conduit de câblage de 1/2 po (1,3 cm) et de son connecteur (homologation UL ou CSA).
6. La hotte étant montée (voir la section « Instructions d'installation de la hotte »), acheminer le conduit de câblage de 1/2 po (1,3 cm) entre le carter du moteur du ventilateur déporté et la hotte. Tirer suffisamment de conduit de câblage de 1/2 po (1,3 cm) pour permettre un raccordement facile au boîtier de connexion du carter du ventilateur déporté et celui de la hotte.
7. Faire passer les six conducteurs de calibre 18 AWG à travers le conduit de câblage de 1/2 po (1,3 cm) et les connecteurs de conduit et dans le boîtier de connexion du carter du ventilateur déporté et celui de la hotte. Laisser suffisamment de longueur de câble dans chaque boîtier de connexion afin de réaliser les connexions de câblage.
8. Installer les connecteurs du conduit et le conduit dans le boîtier de connexion du ventilateur déporté et celui de la hotte.
9. Raccorder le système d'évacuation à la hotte et au système de ventilation en ligne et sceller tous les joints avec des brides.

Réalisation des connexions électriques du système du moteur du ventilateur en ligne

⚠ AVERTISSEMENT



Risque de choc électrique

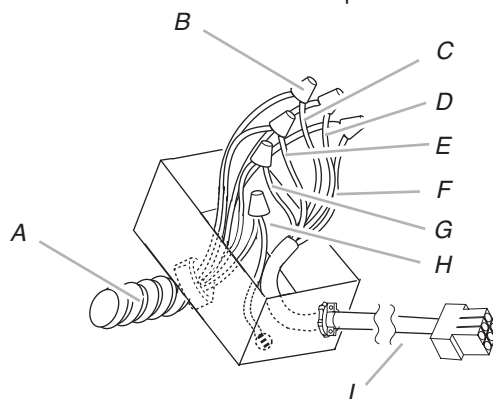
Déconnecter toute source d'énergie avant l'entretien.

Replacer pièces et panneaux avant de faire la remise en marche.

Le non-respect de ces instructions peut causer un décès ou un choc électrique.

Connexion électrique à l'intérieur du système du ventilateur déporté

1. Débrancher l'alimentation.
2. Connecter les fils du conduit de câblage aux fils de la fiche électrique du moteur qui se trouve à l'intérieur du boîtier de connexion du carter du ventilateur déporté.

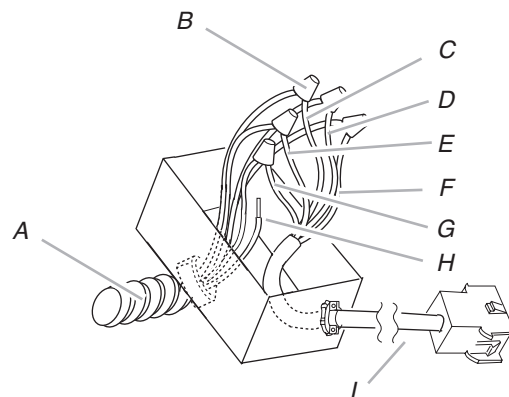


- A. Conduit de câblage de 1/2 po (1,3 cm) homologué UL ou CSA
B. Capuchons de connexion homologué UL
C. Conducteurs noirs
D. Conducteurs blancs
E. Conducteurs rouges
F. Conducteurs bleus
G. Conducteurs gris
H. Conducteurs vert (ou jaune/vert) et vert/jaune
I. Câble de la fiche électrique du moteur

3. Connecter ensemble les conducteurs noirs (C) à l'aide de connecteurs de fils (homologation UL).
4. Connecter ensemble les conducteurs blancs (D) à l'aide de connecteurs de fils (homologation UL).
5. Connecter ensemble les conducteurs rouges (E) à l'aide de connecteurs de fils (homologation UL).
6. Connecter ensemble les conducteurs bleus (F) à l'aide de connecteurs de fils (homologation UL).
7. Connecter ensemble les conducteurs gris (G) à l'aide de connecteurs de fils (homologation UL).

6. Connecter les conducteurs de même couleur entre eux (noir à noir, blanc à blanc, etc.) en utilisant des connecteurs de fils (homologation UL).

REMARQUE : Connecter le conducteur vert (ou vert/jaune) de liaison à la terre du conduit de câblage au conducteur vert (ou nu) de mise à la terre du câble d'alimentation du domicile à l'aide de connecteurs de fils homologués UL (voir la section « Réalisation des connexions de l'alimentation électrique à la hotte »).



- | | |
|--|-------------------------------------|
| A. Conduit de câblage de 1/2 po (1,3 cm) homologué UL ou CSA | E. Conducteurs rouges |
| B. Capuchons de connexion homologué UL | F. Conducteurs bleus |
| C. Conducteurs noirs | G. Conducteurs gris |
| D. Conducteurs blancs | H. Conducteur vert (ou vert/jaune) |
| | I. Ensemble de connexion à six fils |

7. Aller à la section « Réalisation des connexions de l'alimentation électrique à la hotte ».

⚠ AVERTISSEMENT



Risque de choc électrique

Relier le ventilateur à la terre.

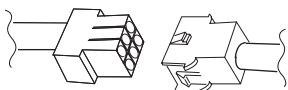
Brancher le fil relié à la terre au fil vert et jaune relié à la terre dans la boîte de la borne.

Le non-respect de ces instructions peut causer un décès ou un choc électrique.

8. Connecter le conducteur vert (ou jaune-vert) de liaison à la terre avec le conducteur vert/jaune (H) de liaison à la terre du boîtier de connexion avec les connecteurs de fils (homologation UL).
9. Réinstaller le couvercle et les vis du boîtier de connexion du ventilateur déporté.
10. Réinstaller le couvercle avant du carter du ventilateur déporté et le fixer avec 10 vis de montage.

Connexion électrique à l'intérieur de la hotte entre le système du ventilateur déporté et la hotte

1. Une fois la hotte montée (voir la section « instructions d'installation de la hotte »), rechercher le connecteur du câble à l'intérieur.
2. Connecter l'ensemble de connexion à 6 fils fourni avec le système du moteur du ventilateur en ligne au connecteur du câble correspondant de la hotte.



3. Trouver le boîtier de connexion à l'intérieur de la hotte et installer un serre-câbles 1/2 po (1,3 cm) homologué UL ou CSA (voir le point « Préparation complète » dans la section « Préparer l'emplacement »).
4. Acheminer les extrémités des fils à parti de l'ensemble de connexion à 6 fils à travers le serre-câbles 1/2 po (1,3 cm), en laissant suffisamment de longueur pour effectuer les connexions de câblage. Serrer les vis du serre-câbles.
5. Connecter les fils de l'ensemble de connexion à 6 fils aux fils du conduit de câblage qui se trouve à l'intérieur du boîtier de connexion de la hotte.

Connexion de l'alimentation électrique à la hotte

⚠ AVERTISSEMENT



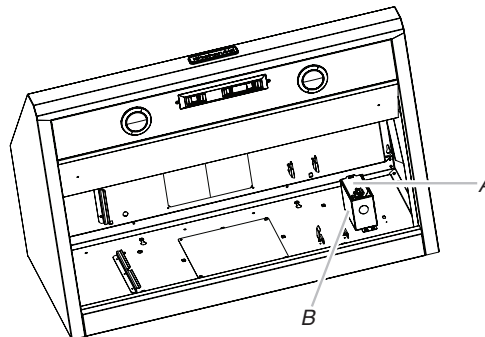
Risque de choc électrique

Déconnecter toute source d'énergie avant l'entretien.

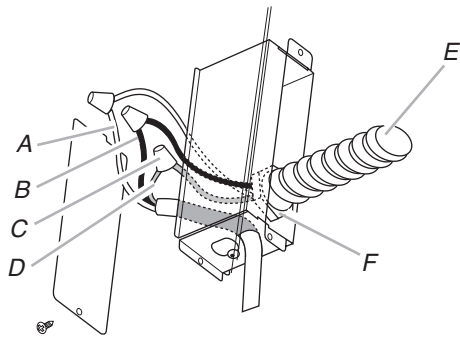
Replacer pièces et panneaux avant de faire la remise en marche.

Le non-respect de ces instructions peut causer un décès ou un choc électrique.

1. Débrancher l'alimentation.
2. Localiser le boîtier de connexion à l'intérieur de la hotte.



- | |
|--|
| A. Couvercle de la boîte de connexion |
| B. Opérucle à l'arrière de la hotte dans le boîtier de connexion |



- A. Conducteurs blancs
- B. Conducteurs noirs
- C. Capuchons de connexion homologué UL
- D. Conducteurs verts, nus ou jaune/vert
- E. Câble d'alimentation électrique du domicile
- F. Serre-câbles de 1/2 po (1,3 cm) homologué UL ou CSA

3. Connecter ensemble les conducteurs noirs (B) à l'aide de connecteurs de fils homologués UL.
4. Connecter ensemble les conducteurs blancs (A) à l'aide de connecteurs de fils (homologation UL).

⚠ AVERTISSEMENT



Risque de choc électrique

Relier le ventilateur à la terre.

Brancher le fil relié à la terre au fil vert et jaune relié à la terre dans la boîte de la borne.

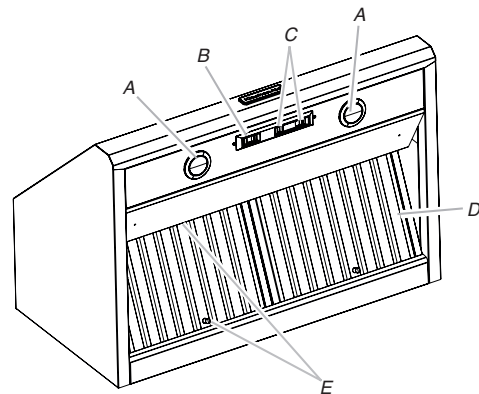
Le non-respect de ces instructions peut causer un décès ou un choc électrique.

REMARQUE : Lors de l'utilisation du système du moteur du ventilateur déporté, le conducteur vert (ou vert/jaune) de liaison à la terre du conduit de câblage du système du moteur du ventilateur déporté doit être connecté au conducteur vert (ou nu) du câble d'alimentation du domicile et au conducteur vert/jaune (D) du boîtier de connexion.

5. À l'aide des connecteurs de fils (homologation UL), connecter le conducteur de liaison à la terre (vert ou nu) du câble d'alimentation du domicile au conducteur vert/jaune de liaison à la terre (D) dans le boîtier de connexion.
6. Installer le couvercle du boîtier de connexion.
7. Vérifier que toutes les ampoules d'éclairage sont bien fixées dans leur douille.
8. Rebrancher l'alimentation.

Achever l'installation et vérifier le fonctionnement

1. Installer les filtres à graisse. Voir la section « Entretien de la hotte ».
2. Contrôler le fonctionnement du ventilateur de la hotte et des lampes. Voir la section « Utilisation de la hotte ».



- A. Lumières DEL
- B. Commutateur d'éclairage à DEL
- C. Commutateurs de commande du ventilateur
- D. Filtre à graisse
- E. Poignées du filtre à graisse

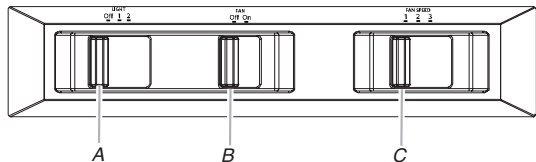
3. Si la hotte ne fonctionne pas, vérifier si un disjoncteur s'est ouvert ou si un fusible du domicile est grillé. Déconnecter la source de courant électrique du circuit et vérifier que le câblage est correct.

REMARQUE : Pour pouvoir tirer le plus grand parti de la nouvelle hotte de cuisinière, lire la section « Utilisation de la hotte ».

UTILISATION DE LA HOTTE

La hotte de cuisinière est conçue pour extraire fumée, vapeurs de cuisson et odeurs de la zone de la table de cuisson. Pour des résultats optimaux, mettre la hotte en marche avant d'entreprendre une cuisson, et la laisser fonctionner pendant plusieurs minutes après une cuisson afin d'évacuer toute odeur de cuisson et fumée de la cuisine.

Les commandes de la hotte sont situées sur la face inférieure de celle-ci.



- A. Commande d'éclairage
- B. Commande du ventilateur
- C. Commande de vitesse du ventilateur

Commandes de la hotte

Fonctionnement de l'éclairage

1. Placer le commutateur d'éclairage à la position « 1 » pour placer la lumière de la hotte au réglage de veilleuse.
2. Placer le commutateur d'éclairage à la position « 2 » pour placer la lumière de la hotte au réglage de plein éclairage.
3. Placer le commutateur d'éclairage à la position « Off » (arrêt) pour ÉTEINDRE la lumière de la hotte.

IMPORTANT : Un scintillement et une fluctuation visuelle peuvent être présents chaque fois que le commutateur d'éclairage est activé. La durée du scintillement dépendra de la manière et de la vitesse à laquelle le commutateur d'éclairage change de position.

Fonctionnement du ventilateur

1. Placer le commutateur du ventilateur à la position « On » (marche) pour METTRE EN MARCHÉ le ventilateur. Le ventilateur commence à fonctionner à la vitesse réglée par le commutateur de vitesse du ventilateur.
2. Placer le commutateur du ventilateur à la position « Off » pour ÉTEINDRE le ventilateur.

Mise en marche automatique du ventilateur

La hotte de cuisine est équipée d'un capteur qui met le ventilateur automatiquement en marche lorsqu'un niveau de chaleur excessif est détecté dans la zone de commande. Lorsque le commutateur du ventilateur est à la position « Off » (arrêt), le capteur change l'état du commutateur du ventilateur à la vitesse élevée si nécessaire. Lorsque le niveau de chaleur diminue, le ventilateur s'éteint.

Lorsque le commutateur du ventilateur est à la position « On », le capteur de chaleur est inactif et la hotte fonctionne normalement.

Réglage du ventilateur

Le ventilateur comporte 3 commandes de vitesse. Placer le commutateur de vitesse du ventilateur à la position « 1 » pour la vitesse faible, à la position « 2 » pour la vitesse moyenne ou à la position « 3 » pour la vitesse élevée.

Dispositif de protection thermique

La hotte est équipée d'un dispositif de protection thermique permettant d'éviter les conditions de surchauffe. Si la hotte s'éteint en cours d'utilisation, déplacer le curseur du ventilateur vers Off (arrêt) pour éteindre la hotte. Attendre environ 60 minutes puis placer le curseur sur On (marche) pour remettre la hotte en marche.

ENTRETIEN DE LA HOTTE

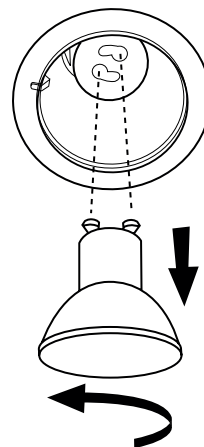
Ampoules de la hotte

Remplacer une ampoule à DEL

Interrompre l'alimentation de la hotte; attendre le refroidissement de l'ampoule à DEL. Pour éviter d'endommager ou de réduire la longévité de l'ampoule neuve, ne pas toucher l'ampoule avec les doigts nus. Remplacer l'ampoule en la manipulant avec un mouchoir de papier ou des gants de coton.

Si les nouvelles ampoules ne fonctionnent pas, vérifier que chaque ampoule est correctement insérée dans sa douille avant de demander l'intervention d'un dépanneur.

1. Débrancher l'alimentation.
2. Pousser la plaque de verre vers le haut et la tourner dans le sens antihoraire.



3. Retirer l'ampoule et la remplacer par une ampoule de 120 V, 6,5 W maximum, avec culot GU10. La tourner dans le sens horaire pour l'emboîter.
4. Répéter les étapes 2 et 3 pour les autres ampoules, si nécessaire.
5. Rebrancher l'alimentation.

Nettoyage

IMPORTANT : Nettoyer fréquemment la hotte et les filtres à graisse en suivant les instructions suivantes. Réinstaller les filtres à graisse avant de faire fonctionner la hotte.

Surfaces externes :

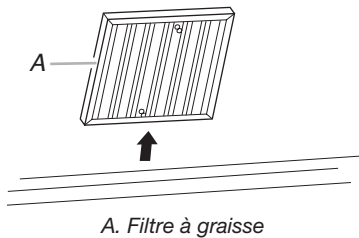
Afin d'éviter d'endommager la surface externe, ne pas utiliser de tampons en laine d'acier ou de tampons à récurer savonneux. Frotter dans la direction des lignes du grain pour ne pas détériorer la surface.

Toujours essuyer pour éviter de laisser des marques d'eau.

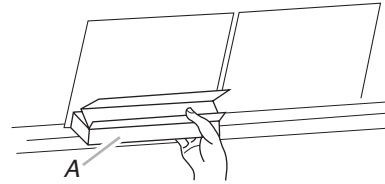
- Nettoyant et poli pour acier inoxydable.
- Détergent liquide doux et eau.
- Frotter avec un chiffon doux humide ou une éponge non abrasive, puis rincer avec de l'eau propre et essuyer.

Filtres métalliques et plateaux d'égouttement :

1. Utiliser les 2 mains pour retirer les filtres. Saisir les poignées du filtre, tirer vers l'avant de la hotte et tirer sur la poignée arrière pour retirer le filtre. Répéter pour chaque filtre.



2. Retirer le plateau d'égouttement à graisse.



3. Laver les filtres métalliques et les plateaux à graisse selon le besoin au lave-vaisselle ou avec une solution de détergent chaude.
4. Réinstaller le plateau d'égouttement à graisse.
5. Réinstaller les filtres : saisir les poignées du filtre et placer le rebord avant du filtre dans la hotte. Pour bien fixer le filtre, pousser vers le haut sur la poignée arrière et installer l'arrière du filtre dans le plateau d'égouttement. Répéter pour chaque filtre.

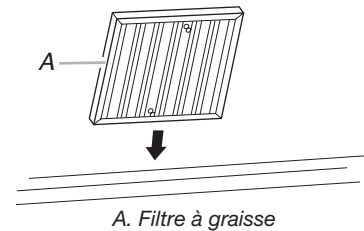
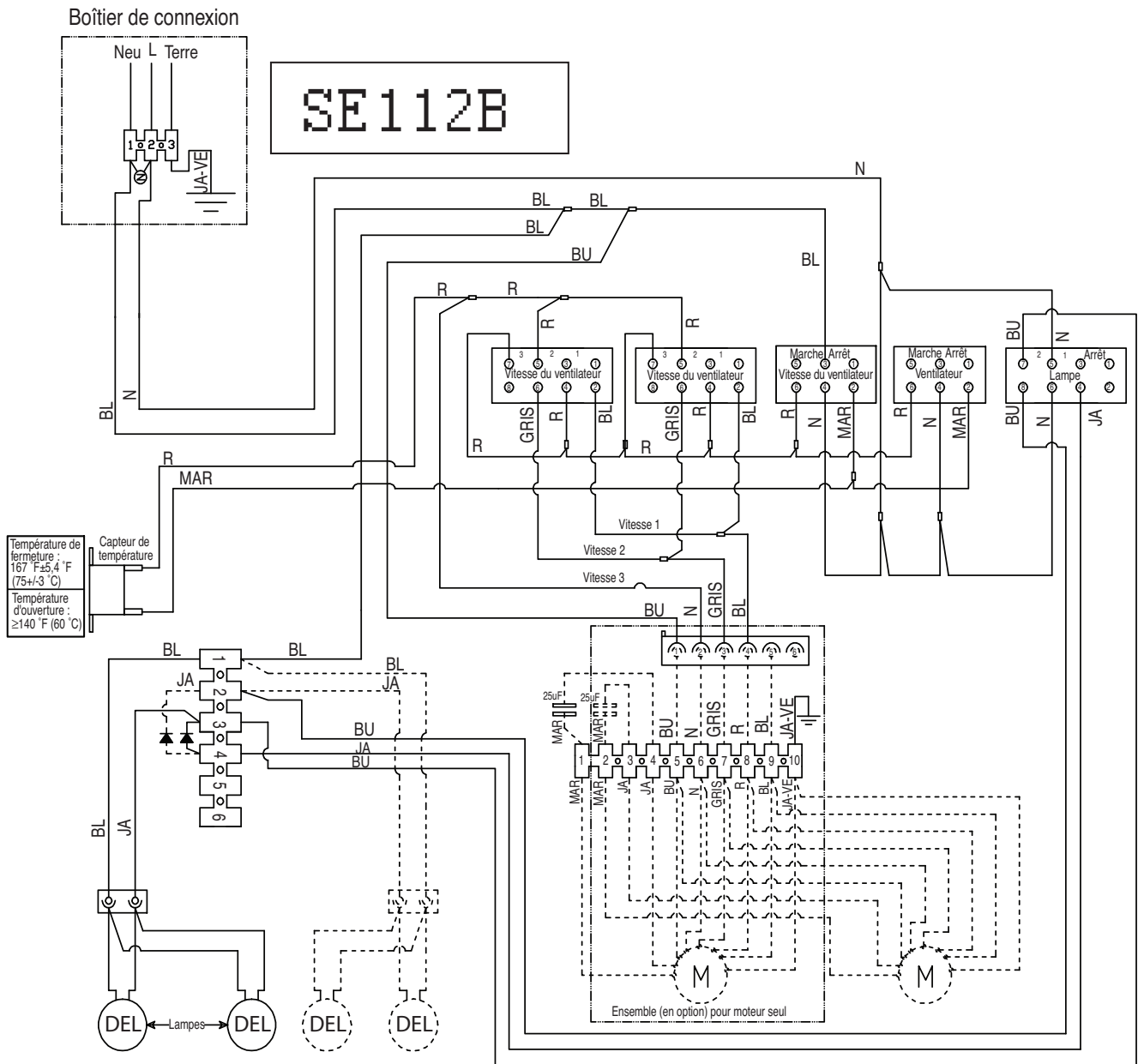


SCHÉMA DE CÂBLAGE



| Résistance du moteur (ohms) | | |
|-----------------------------|----------------------------------|----------------------|
| Bleu-Rouge: 18 | Bleu-Blanc: 21,6 (min.) | Bleu-Noir: 9,8 (max) |
| Bleu-Gris: 14,3 | Temp. ambiante : 73,4 °F (23 °C) | |

| Caractéristiques du moteur | |
|----------------------------|-------------------------------|
| Alimentation : 120 VAC | Absorption de courant : 420 W |
| Fréquence: 60 Hz | Courant: 3,7 A |

| Fonctionnement du commutateur avec le bouton "1-2-3" | | | |
|--|-----------|-----------|-----------|
| Position | 1 | 2 | 3 |
| Connexion | ④—② | ④—⑥ | ⑤—⑦ |
| Solution | Vitesse 1 | Vitesse 2 | Vitesse 3 |

| Fonctionnement du commutateur avec le bouton "On-Off" (marche-arrêt) | | |
|--|------------------|------------------|
| Position | Marche | Arrêt |
| Connexion | ④—⑥ | ④—② |
| Solution | Moteur en marche | Moteur à l'arrêt |

| Fonctionnement du commutateur avec le bouton "Light" (éclairage) | | | |
|--|-----------------|--------------------|--------------------|
| Position | Arrêt | 1 | 2 |
| Connexion | ④—② | ④—⑥ | ⑤—⑦ ⑥—⑧ |
| Solution | Lampes éteintes | Intensité minimale | Intensité maximale |

ASSISTANCE OU DÉPANNAGE

Avant d'appeler pour de l'assistance ou du dépannage, avoir à portée de la main la date d'achat et les numéros de modèle et de série complets de l'appareil. Ces renseignements nous aideront à mieux répondre à votre demande.

Si vous avez besoin de pièces de rechange

Pour commander des pièces de rechange, nous vous recommandons d'utiliser seulement des pièces spécifiées par l'usine. Les pièces spécifiées par l'usine conviendront et fonctionneront bien, car elles sont fabriquées selon la même précision que celle utilisée pour fabriquer chaque nouvel appareil. Pour savoir où trouver des pièces de rechange spécifiées par l'usine dans votre région, appelez-nous ou communiquez avec le centre de service désigné le plus proche.

Aux É.-U.

Téléphonez sans frais au Centre pour l'eXpérience de la clientèle KitchenAid au : **1 800 422-1230**.

Nos conseillers peuvent vous aider sur les points suivants :

- Caractéristiques et spécifications de notre gamme complète d'appareils ménagers.
- Renseignements sur l'installation.
- Procédures d'utilisation et d'entretien.
- Vente d'accessoires et de pièces de rechange.
- Assistance spécialisée au client (langue espagnole, malentendants, malvoyants, etc.).
- Les références aux concessionnaires, compagnies de service de réparation et distributeurs de pièces de rechange locaux. Les techniciens de service désignés par KitchenAid sont formés pour remplir la garantie des produits et fournir un service après garantie partout aux États-Unis. Pour localiser la compagnie de service désignée par KitchenAid dans votre région, vous pouvez également consulter les Pages jaunes.

Pour plus d'assistance

Si vous avez besoin de plus d'assistance, vous pouvez écrire à KitchenAid en soumettant toute question ou problème à :

KitchenAid Brand Home Appliances
Customer eXperience Center
553 Benson Road
Benton Harbor, MI 49022-2692

Veuillez indiquer dans votre correspondance un numéro de téléphone où l'on peut vous joindre dans la journée.

Accessoires

Systèmes de ventilation (1 système nécessaire)

Système de ventilation intégré de 600 pi³/min : référence de commande UXB0600DYS

Système de ventilation intégré de 1200 pi³/min : référence de commande UXB1200DYS

Système de ventilation déporté de 600 pi³/min : référence de commande UXI0600DYS

Système de ventilation déporté de 1200 pi³/min : référence de commande UXI1200DYS

Cache-conduit pleine largeur

Commander la pièce numéro EXTKIT02ES pour modèle de 30 po (76,2 cm)

Commander la pièce numéro EXTKIT04ES pour modèle de 36 po (91,4 cm)

Commander la pièce numéro EXTKIT06ES pour modèle de 48 po (121,9 cm)

Ensemble de dossier (avec tablettes)

Commander la pièce n° W10285447 pour modèle de 30 po (76,2 cm) Commander la pièce n° W10285448 pour modèle de 36 po (91,4 cm)

Commander la pièce numéro W10285449 pour modèle de 48 po (121,9 cm)

Ensemble de dossier (avec tablette massive)

Commander la pièce numéro W10225950 pour modèles de 30 po (76,2 cm)

Commander la pièce numéro W10225949 pour modèles de 36 po (91,4 cm) Commander la pièce numéro W10225948 pour modèles de 48 po (121,9 cm)

Ensemble de dossier (avec tablette)

Commander la pièce numéro W10352734 pour modèle de 30 po (76,2 cm)

Commander la pièce n° W10352736 pour modèle de 36 po (91,4 cm) Commander la pièce n° W10352735 pour modèle de 48 po (121,9 cm)

Au Canada

Téléphonez sans frais au Centre d'expérience de la clientèle de KitchenAid Canada au : **1 800 807-6777**.

Nos conseillers peuvent vous aider sur les points suivants :

- Caractéristiques et spécifications de notre gamme complète d'appareils ménagers.
- Procédures d'utilisation et d'entretien.
- Vente d'accessoires et de pièces de rechange.
- Les références aux concessionnaires, compagnies de service de réparation et distributeurs de pièces de rechange locaux. Les techniciens de service désignés par KitchenAid Canada sont formés pour remplir la garantie des produits et fournir un service après la garantie partout au Canada.

Pour plus d'assistance

Si vous avez besoin de plus d'assistance, vous pouvez écrire à KitchenAid Canada en soumettant toute question ou tout problème à :

Customer eXperience Centre
KitchenAid Canada
200 – 6750 Century Ave.
Mississauga, Ontario L5N 0B7

Veuillez indiquer dans votre correspondance un numéro de téléphone où l'on peut vous joindre dans la journée.

Remarques

Remarques

Remarques

Remarques

Remarques

Remarques

