

KitchenAid®

36" (91.4 CM) AND 48" (121.9 CM) DESIGNER COMMERCIAL-STYLE WALL-MOUNT RANGE HOOD

HOTTE À MONTAGE MURAL DE STYLE CONCEPTION COMMERCIAL 36 PO (91,4 CM) ET 48 PO (121,9 CM)

CAMPANA PURIFICADORA / EXTRACTORA, DE ESTILO COMERCIAL DE 36" (91,4 CM) Y 48" (121,9 CM)

Installation Instructions and Use and Care Guide

For questions about features, operation/performance, parts, accessories, or service, call: **1-800-422-1230**
or visit our website at www.kitchenaid.com.

In Canada, for assistance, installation and service, call: **1-800-807-6777**
or visit our website at www.kitchenaid.ca.

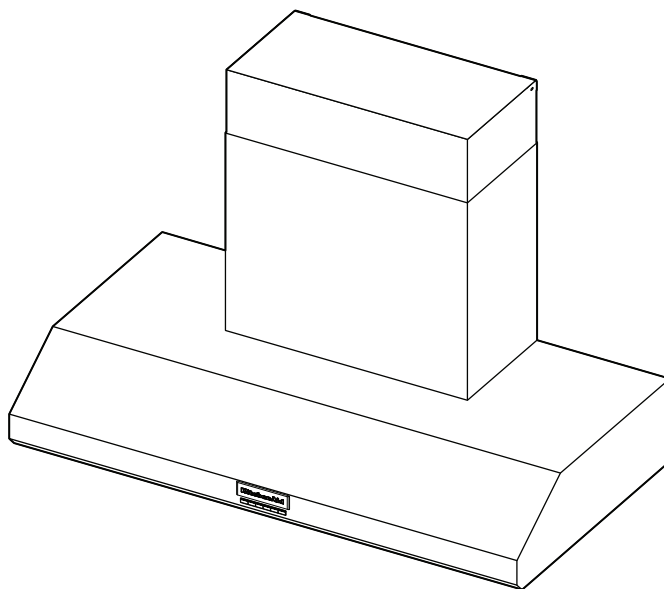
Instructions d'installation et guide d'utilisation et d'entretien

Pour des questions à propos des caractéristiques, du fonctionnement/rendement, des pièces, accessoires ou service,
composer le : **1 800 422-1230** ou visiter notre site Web au www.kitchenaid.com.

Au Canada, pour assistance, installation ou service, composez le : **1 800 807-6777**
ou visiter notre site Web au www.kitchenaid.ca.

Instrucciones de instalación y Manual de uso y cuidado

Si tiene preguntas sobre características, funcionamiento, rendimiento, piezas, accesorios o servicio técnico, llame al: **1 800 002 2767**
o visite nuestro sitio web en www.kitchenaid.mx/servicio-y-soporte.



IMPORTANT: READ AND SAVE THESE INSTRUCTIONS. FOR RESIDENTIAL USE ONLY.
IMPORTANT : LIRE ET CONSERVER CES INSTRUCTIONS. POUR UTILISATION RÉSIDENNELLE UNIQUEMENT.
IMPORTANTE: LEA Y GUARDE ESTAS INSTRUCCIONES. SOLO PARA USO RESIDENCIAL.

TABLE OF CONTENTS/ TABLE DES MATIÈRES/ TABLA DE CONTENIDOS

| | | | | | | |
|--|-----------|---|-----------|---|------------------------|-----------|
| RANGE HOOD SAFETY | 3 | SÉCURITÉ DE LA HOTTE | 18 | SEGURIDAD DE LA CAMPANA | DE ESTUFA | 34 |
| INSTALLATION REQUIREMENTS | 4 | EXIGENCES D'INSTALLATION | 20 | REQUISITOS DE INSTALACIÓN | 36 | |
| Tools and Parts..... | 4 | Outils et pièces..... | 20 | Herramientas y piezas..... | 36 | |
| Location Requirements | 4 | Exigences d'emplacement..... | 20 | Requisitos de ubicación..... | 36 | |
| Venting Requirements | 5 | Exigences concernant l'évacuation..... | 21 | Requisitos de ventilación | 37 | |
| Electrical Requirements | 6 | Spécifications électriques | 22 | Requisitos eléctricos | 38 | |
| INSTALLATION INSTRUCTIONS | 7 | INSTRUCTIONS D'INSTALLATION | 23 | INSTRUCCIONES DE INSTALACIÓN | 39 | |
| Prepare Location | 7 | Préparation de l'emplacement..... | 23 | Preparación de la ubicación | 39 | |
| Install Range Hood..... | 8 | Installation de la hotte | 24 | Instalación de la campana de estufa | 40 | |
| Install Range Hood Internal Blower Motor..... | 8 | Installation du moteur du ventilateur intégré de la hotte | 24 | Instalación del motor del soplador interno de la campana de estufa | 40 | |
| Install Range Hood In-Line (External Type) Blower Motor..... | 10 | Installation du moteur du ventilateur déporté (externe) de la hotte..... | 26 | Instale el motor del soplador (tipo externo) en línea de la campana de estufa..... | 42 | |
| Make Electrical Connections for In-Line Blower Motor System | 11 | Réalisation des connexions électriques du système du moteur du ventilateur en ligne | 27 | Haga las conexiones eléctricas para el sistema de motor del soplador en línea | 43 | |
| Make Electrical Power Supply Connection to Range Hood | 12 | Connexion de l'alimentation électrique à la hotte..... | 28 | Hacer las conexiones al suministro eléctrico de la campana de estufa..... | 44 | |
| Install Chimney Covers | 13 | Installer les cache-cheminée | 29 | Instalación de las cubiertas para chimenea..... | 45 | |
| Complete Installation and Check Operation | 13 | Achever l'installation et vérifier le fonctionnement..... | 29 | Completar la instalación y verificar el funcionamiento | 45 | |
| RANGE HOOD USE | 14 | UTILISATION DE LA HOTTE | 30 | USO DE LA CAMPANA DE ESTUFA | 46 | |
| Range Hood Controls | 14 | Commandes de la hotte..... | 30 | Controles de la campana de estufa..... | 46 | |
| RANGE HOOD CARE | 15 | ENTRETIEN DE LA HOTTE | 31 | CUIDADO DE LA CAMPANA | DE ESTUFA | 47 |
| Cleaning | 15 | Nettoyage | 31 | Limpieza | 47 | |
| WIRING DIAGRAM | 16 | SCHÉMA DE CÂBLAGE | 32 | DIAGRAMA DE CABLEADO | 48 | |
| ASSISTANCE OR SERVICE | 17 | ASSISTANCE OU DÉPANNAGE | 33 | AYUDA O SERVICIO TÉCNICO | 49 | |
| In the U.S.A. | 17 | Aux É.-U. | 33 | En México..... | 49 | |
| In Canada | 17 | Au Canada..... | 33 | | | |

Comercializado por

Whirlpool México, S. de R.L. de C.V.
Antigua Carretera a Roma Km 9 S/N
Col. El Milagro, Apodaca, N.L., México,
C.P. 66634. RFC WME8709287L5

Importer / Importateur / Importador

CANADA:

Whirlpool Canada LP, Mississauga,
Ontario L5N 0B7

U.S.A.:

Whirlpool Corporation, U.S.A., Benton Harbor, MI 49022

COLOMBIA:

Whirlpool Colombia S.A.S.

Nit:830010181-9

Calle 99# 10-19 P6 Cantidad: 1 unidad



MR



RANGE HOOD SAFETY

Your safety and the safety of others are very important.

We have provided many important safety messages in this manual and on your appliance. Always read and obey all safety messages.



This is the safety alert symbol.

This symbol alerts you to potential hazards that can kill or hurt you and others.

All safety messages will follow the safety alert symbol and either the word "DANGER" or "WARNING." These words mean:

⚠ DANGER

You can be killed or seriously injured if you don't immediately follow instructions.

⚠ WARNING

You can be killed or seriously injured if you don't follow instructions.

All safety messages will tell you what the potential hazard is, tell you how to reduce the chance of injury, and tell you what can happen if the instructions are not followed.

IMPORTANT SAFETY INSTRUCTIONS

WARNING: TO REDUCE THE RISK OF FIRE, ELECTRIC SHOCK, OR INJURY TO PERSONS, OBSERVE THE FOLLOWING:

- Use this unit only in the manner intended by the manufacturer. If you have questions, contact the manufacturer.
- Before servicing or cleaning the unit, switch power off at service panel and lock the service disconnecting means to prevent power from being switched on accidentally. When the service disconnecting means cannot be locked, securely fasten a prominent warning device, such as a tag, to the service panel.
- Installation work and electrical wiring must be done by qualified person(s) in accordance with all applicable codes and standards, including fire-rated construction.
- Do not operate any fan with a damaged cord or plug. Discard fan or return to an authorized service facility for examination and/or repair.
- Sufficient air is needed for proper combustion and exhausting of gases through the flue (chimney) of fuel burning equipment to prevent backdrafting. Follow the heating equipment manufacturer's guideline and safety standards such as those published by the National Fire Protection Association (NFPA), the American Society for Heating, Refrigeration and Air Conditioning Engineers (ASHRAE), and the local code authorities.
- When cutting or drilling into wall or ceiling, do not damage electrical wiring and other hidden utilities.
- Ducted fans must always be vented outdoors.

CAUTION: For general ventilating use only. Do not use to exhaust hazardous or explosive materials and vapors.

CAUTION: To reduce risk of fire and to properly exhaust air, be sure to duct air outside - do not vent exhaust air into spaces within walls or ceilings, attics or into crawl spaces, or garages.

WARNING: TO REDUCE THE RISK OF FIRE, USE ONLY METAL DUCTWORK.

WARNING: TO REDUCE THE RISK OF A RANGE TOP GREASE FIRE:

- Never leave surface units unattended at high settings. Boilovers cause smoking and greasy spillovers that may ignite. Heat oils slowly on low or medium settings.
- Always turn hood ON when cooking at high heat or when flambeing food (i.e. Crepes Suzette, Cherries Jubilee, Peppercorn Beef Flambé).
- Clean ventilating fans frequently. Grease should not be allowed to accumulate on fan or filter.
- Use proper pan size. Always use cookware appropriate for the size of the surface element.

WARNING: TO REDUCE THE RISK OF INJURY TO PERSONS IN THE EVENT OF A RANGE TOP GREASE FIRE, OBSERVE THE FOLLOWING:^a

- SMOTHER FLAMES with a close fitting lid, cookie sheet, or metal tray, then turn off the burner. BE CAREFUL TO PREVENT BURNS. If the flames do not go out immediately, EVACUATE AND CALL THE FIRE DEPARTMENT.
- NEVER PICK UP A FLAMING PAN - you may be burned.
- DO NOT USE WATER, including wet dishcloths or towels - a violent steam explosion will result.
- Use an extinguisher ONLY if:
 - You know you have a class ABC extinguisher, and you already know how to operate it.
 - The fire is small and contained in the area where it started.
 - The fire department is being called.
 - You can fight the fire with your back to an exit.

^aBased on "Kitchen Fire Safety Tips" published by NFPA.

- **WARNING:** To reduce the risk of fire or electrical shock, do not use this fan with any solid-state speed control device.

READ AND SAVE THESE INSTRUCTIONS

INSTALLATION REQUIREMENTS

Tools and Parts

Gather the required tools and parts before starting installation. Read and follow the instructions provided with any tools listed here.

NOTE: This range hood is recommended for use with cooking surfaces according to the following:

36" (91.4 cm) or 48" (122 cm) range hoods with 1 motor (585 CFM) to be paired with maximum total rating of 90,000 BTU.

36" (91.4 cm) or 48" (122 cm) range hoods with 2 motors (1170 CFM) to be paired with maximum total rating of 105,000 BTU.

Tools needed

- Level
- Drill
- 1¹/₄" (3 cm) drill bit
- 3/32" (2.4 mm) drill bit if installing into wood
- Pencil
- Wire stripper or utility knife
- Tape measure or ruler
- Pliers
- Caulking gun and weatherproof caulking compound
- Vent clamps
- Jigsaw or keyhole saw
- Flat-blade screwdriver
- Metal snips
- Phillips screwdriver
- Scissors

Parts needed

- Home power supply cable
- 1/2" (1.3 cm) UL listed or CSA approved strain relief
- Three UL listed wire connectors
- One wall or roof cap
- Metal vent system
- Two 175 W max heat lamp bulbs
- Blower motor system—internal or external

Parts supplied

Remove parts from packages. Check that all parts are included.

- Two metal grease filters for 36" (91.4 cm) models
Three metal grease filters for 48" (121.9 cm) models
- Two vent cover support brackets
- Two 4.5 x 13 mm screws
- Two 10 x 50 mm mounting screws
- Two 8 x 40 mm mounting screws
- Two D5.3 x 20 mm washers
- Four 5 x 45 mm screws
- Six 4.2 x 8 mm screws
- T-20® TORX®† adapter

Location Requirements

IMPORTANT: Observe all governing codes and ordinances.

Have a qualified technician install the range hood. It is the installer's responsibility to comply with installation clearances specified on the model/serial rating plate. The model/serial rating plate is located inside the range hood on the rear wall of the range hood.

Range hood location should be away from strong draft areas, such as windows, doors, and strong heating vents.

Cabinet opening dimensions that are shown must be used. Given dimensions provide minimum clearance.

The range hood is factory set for venting through the roof or through the wall.

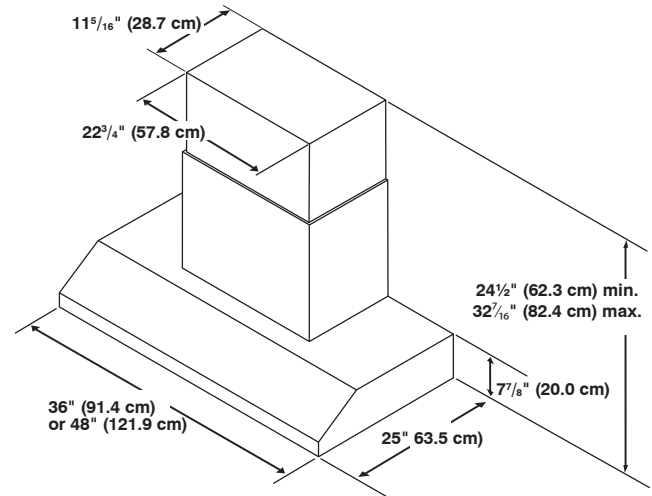
All openings in ceiling and wall where range hood will be installed must be sealed.

For Mobile Home Installations

The installation of this range hood must conform to the Manufactured Home Construction Safety Standards, Title 24 CFR, Part 328 (formerly the Federal Standard for Mobile Home Construction and Safety, Title 24, HUD, Part 280) or when such standard is not applicable, the standard for Manufactured Home Installation 1982 (Manufactured Home Sites, Communities and Setups) ANSI A225.1/NFPA 501A, or latest edition, or with local codes.

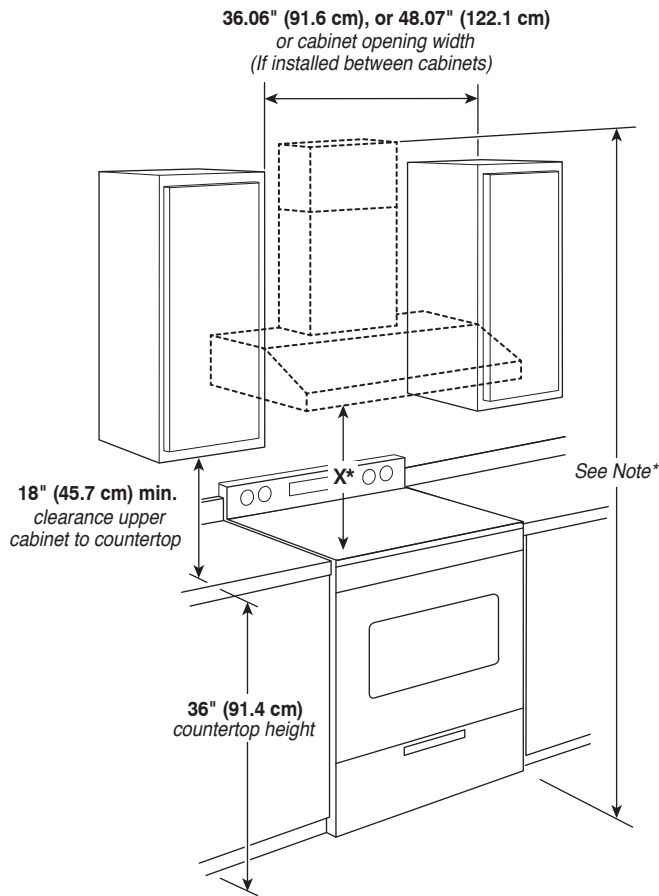
Product Dimensions

Vented Installations



†TORX® and T20® are registered trademarks of Acument Intellectual Properties, LLC.

Installation Dimensions



***NOTE:** The range hood chimneys are adjustable and designed to meet varying ceiling or soffit heights depending on the distance “X” between the bottom of the range hood and the cooking surface. For higher ceilings, a Chimney Extension Kit is available from your dealer or an authorized parts distributor. The chimney extension replaces the upper chimney shipped with the range hood. See the “Assistance or Service” section to order.

IMPORTANT:

Minimum distance “X”: 24" (61 cm) from electric cooking surfaces

Minimum distance “X”: 30" (76.2 cm) from gas cooking surfaces

The chimneys can be adjusted for ceilings between 8' 2³/₈" (2.5 m) and 8' 10⁵/₁₆" (2.7 m) when mounted at 30" (76.2 cm) height over a gas cooking surface.

The chimneys can be adjusted for ceilings between 7' 8³/₈" (2.4 m) and 8' 4⁵/₁₆" (2.55 m) when mounted at 24" (61 cm) height over electric cooking surface.

Venting Requirements

- Vent system must terminate to the outdoors.
- Do not terminate the vent system in an attic or other enclosed area.
- Do not use 4" (10.2 cm) laundry-type wall caps.
- Use metal vent only. Rigid metal vent is recommended. Plastic or metal foil vent is not recommended.
- The length of vent system and number of elbows should be kept to a minimum to provide efficient performance.

For the most efficient and quiet operation:

- Use no more than three 90° elbows.
- Make sure there is a minimum of 24" (61.0 cm) of straight vent between the elbows if more than one elbow is used.
- Do not install two elbows together.
- Use clamps to seal all joints in the vent system.
- The vent system must have a damper. If the roof or wall cap has a damper, do not use the damper supplied with the range hood.
- Use caulking to seal exterior wall or roof opening around the cap.
- The size of the vent should be uniform.

Cold weather installations

An additional back draft damper should be installed to minimize backward cold air flow, and a thermal break should be installed to minimize conduction of outside temperatures as part of the vent system. The damper should be on the cold air side of the thermal break.

The break should be as close as possible to where the vent system enters the heated portion of the house.

Makeup air

Local building codes may require the use of makeup air systems when using ventilation systems greater than specified CFM of air movement. The specified CFM varies from locale to locale.

Consult your HVAC professional for specific requirements in your area.

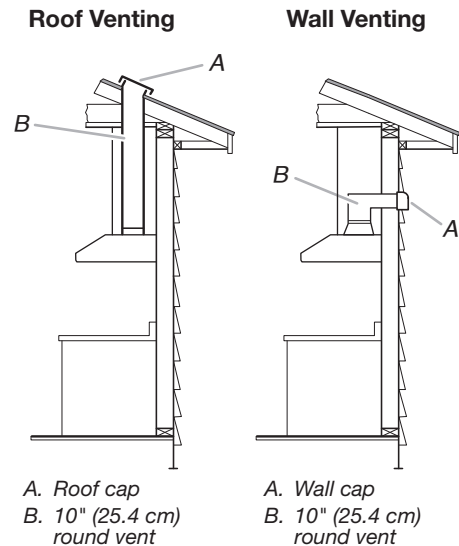
Venting Methods

Typical Internal Blower Motor System Venting Installations

A 10" (25.4 cm) round vent system is needed for installation (not included). The range hood exhaust opening is 10" (25.4 cm) round.

NOTE: Flexible vent is not recommended. Flexible vent creates back pressure and air turbulence that greatly reduce performance.

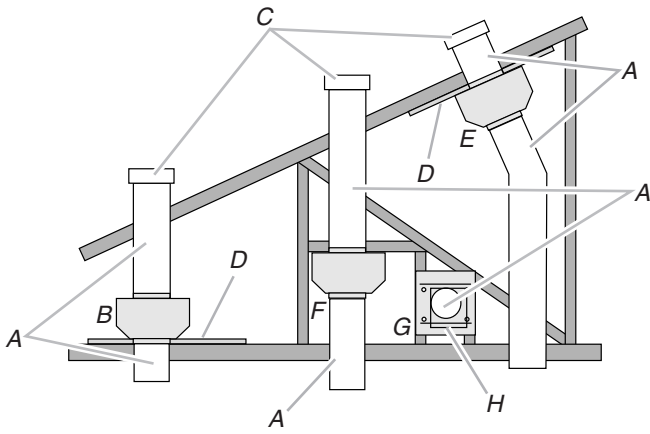
Vent system can terminate either through the roof or wall. To vent through the wall, a 90° elbow is needed.



A. Roof cap
B. 10" (25.4 cm) round vent

A. Wall cap
B. 10" (25.4 cm) round vent

Typical In-line Blower Motor System Venting Installations



- A. 10" (25.4 cm) round vent
- B. Mount on top of ceiling joists
- C. Roof caps
- D. Plywood (optional on some installations)
- E. Mount on underside of roof rafters
- F. Mount from cross-members tied to trusses
- G. Duct horizontal; mount to cross-members tied to trusses
- H. Wall cap

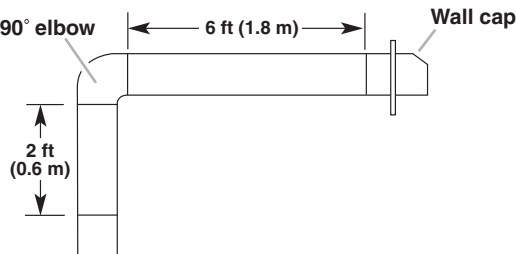
Calculating Vent System Length

To calculate the length of the system you need, add the equivalent feet (meters) for each vent piece used in the system.

| Vent Piece | Equivalent Length | |
|------------|-------------------|--|
| 45° elbow | 2.5' (0.8 m) | |
| 90° elbow | 5.0' (1.5 m) | |

The maximum equivalent vent lengths are:
10" (25.4 cm) round vent - 60' (18.3 m)

Example vent system



The following example falls within the maximum recommended vent length.

| | |
|-----------------------|-------------------|
| One 90° elbow | = 5.0 ft (1.5 m) |
| One wall cap | = 0.0 ft (0.0 m) |
| 8 ft (2.4 m) straight | = 8.0 ft (2.4 m) |
| Length of system | = 13.0 ft (3.9 m) |

Electrical Requirements

Observe all governing codes and ordinances.

Ensure that the electrical installation is adequate and in conformance with National Electrical Code, ANSI/NFPA 70 (latest edition), or CSA Standards C22.1-94, Canadian Electrical Code, Part 1 and C22.2 No. 0-M91 (latest edition) and all local codes and ordinances.

If codes permit and a separate ground wire is used, it is recommended that a qualified electrician determine that the ground path is adequate.

A copy of the above code standards can be obtained from:

National Fire Protection Association
1 Batterymarch Park Quincy,
MA 02269-7471

CSA International 8501
East Pleasant Valley Road
Cleveland, OH 44131-5575

- A 120 V ~, 60 Hz, 463 W, AC only, 3.8 A, fused electrical circuit is required.
- If the house has aluminum wiring, follow the procedure below:

Connect the aluminum wiring using special connectors and/or tools designed and UL listed for joining copper to aluminum.

Follow the electrical connector manufacturer's recommended procedure. Aluminum/copper connection must conform with local codes and industry accepted wiring practices.

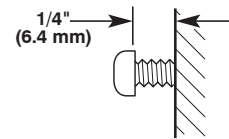
- Wire sizes and connections must conform with the rating of the appliance as specified on the model/serial rating plate. The model/serial plate is located behind the filter on the rear wall of the range hood.
- Wire sizes must conform to the requirements of the National Electrical Code, ANSI/NFPA 70 (latest edition), or CSA Standards C22.1-94, Canadian Electrical Code, Part 1 and C22.2 No. 0-M91 (latest edition) and all local codes and ordinances.

INSTALLATION INSTRUCTIONS

Prepare Location

- It is recommended that the vent system be installed before range hood is installed.
 - Before making cutouts, make sure there is proper clearance within the ceiling or wall for exhaust vent.
 - Range hood is to be installed 24" (61.0 cm) minimum for electric cooking surfaces, 30" (76.2 cm) minimum for gas cooking surfaces, to a suggested maximum of 36" (91.4 cm) above the cooking surface.
 - Check your ceiling height and the range hood height maximum before you select your range hood.
1. Disconnect power.
 2. Determine which venting method to use: roof or wall.
 3. Select a flat surface for assembling the range hood. Place covering over that surface.

3. Drill 3/32" (2.4 mm) pilot holes for installation into wood. The screws provided for mounting this range hood must be fastened into solid wood. Do not fasten only into sheet rock.
IMPORTANT: All screws must be installed into wood. If there is no wood to screw into, additional wall framing supports may be required.
4. Install the 5 x 45 mm mounting screws. Leave a 1/4" (6.4 mm) gap between the wall and the back of the screw head to slide range hood into place.



5. Remove the template.

WARNING

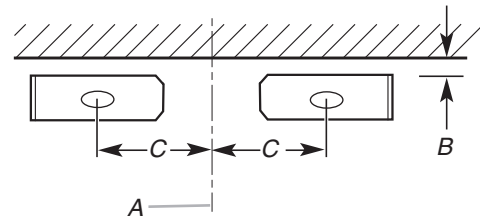
Excessive Weight Hazard

Use two or more people to move and install range hood.

Failure to do so can result in back or other injury.

Chimney Support Bracket Installation

1. Place two of the chimney brackets against the wall so that their top edges are 1/16" (1.6 mm) from the ceiling or soffit and level. Mark holes.



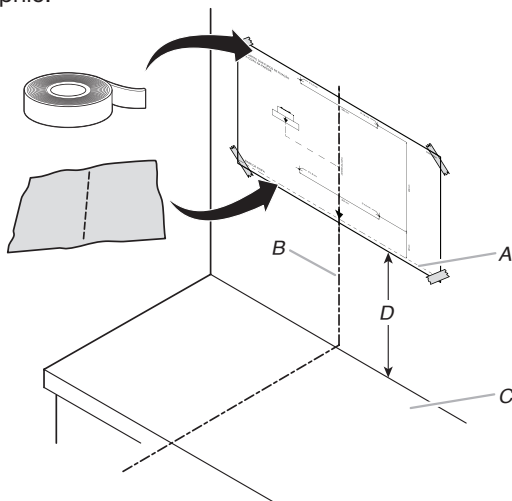
- A. Vertical centerline
- B. 1/16" (1.6 mm)
- C. 10⁹/₁₆" (26.9 cm)

2. Drill pilot holes.
 - If installing into wood, drill four 3/32" (2.4 mm) pilot holes.
3. Attach each bracket to the wall with a 4.2 x 9.5 cm mounting screw. Tighten screws securely.

4. Using two or more people, lift range hood onto covered surface.

Range Hood Mounting Screws Installation

1. Determine and mark the centerline on the wall where the range hood will be installed.
2. Based on the ceiling or soffit height, determine the distance "X" (24" [61.0 cm] minimum from electric cooking surface or 30" [76.2 cm] minimum to gas cooking surface, suggested 36" [91.4 cm] maximum) needed between the cooking surface and the bottom of the range hood. Paste installation template on the wall, taking as reference the minimum distance between cooking surface. As is shown in the graphic.



- A. Horizontal line
- B. Vertical centerline
- C. Cooking surface
- D. Distance "X" (24" [61.0 cm] min. from electric cooking surface, 30" [76.2 cm] min. from gas cooking surface, suggested 36" [91.4 cm] max.) + 17¹/₈" (43.5 cm)

Complete Preparation

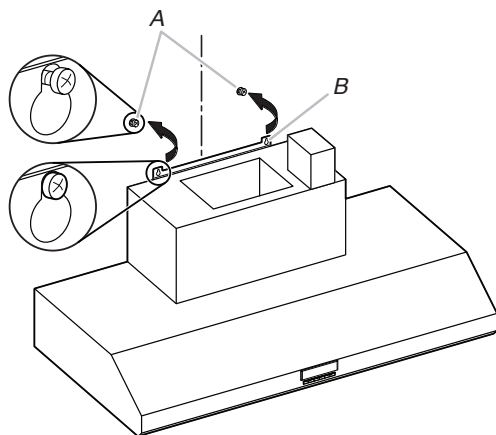
1. Determine and make all necessary cuts in the wall for the vent system. Install the vent system before installing the range hood. See the "Venting Requirements" section.
2. Determine the location where the power supply cable will be run through the wall. Be sure that the location will be covered by the chimney of the range hood.
3. Drill a 1 1/4" (3.2 cm) hole at this location.
4. Pull enough power supply cable through the wall to allow for easy connection to the terminal box.

NOTE: Your range hood requires you to purchase either an internal type or an in-line (external type) blower motor system.

For internal blower systems, there are blower motor mounting parts in the blower motor installation packet that must be added to the range hood prior to mounting the range hood to the wall. See the "Install Range Hood Internal Blower Motor" section and the instructions supplied with the blower motor.

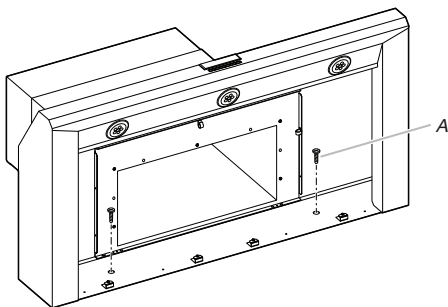
Install Range Hood

1. Using two or more people, hang range hood on two mounting screws through the mounting slots on back of range hood.



A. Mounting screws
B. Mounting slots

2. Level the range hood and tighten upper mounting screws.
3. Install two 5 x 45 mm lower mounting screws and tighten.



A. Lower-mounting screws

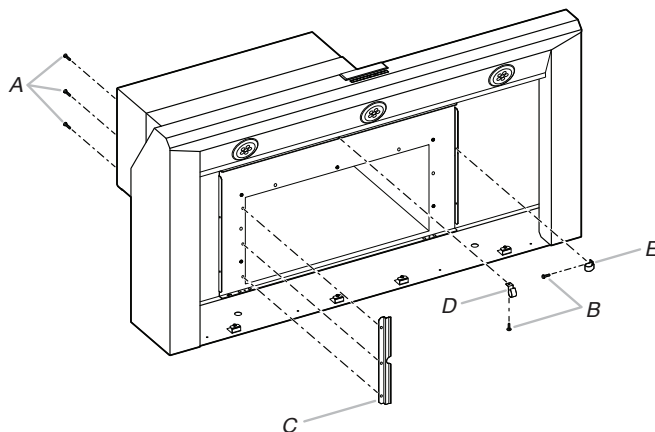
Install Range Hood Internal Blower Motor

NOTE: Your range hood requires you to purchase either an internal type or an in-line (external type) blower motor system.

Prepare the Internal Blower System

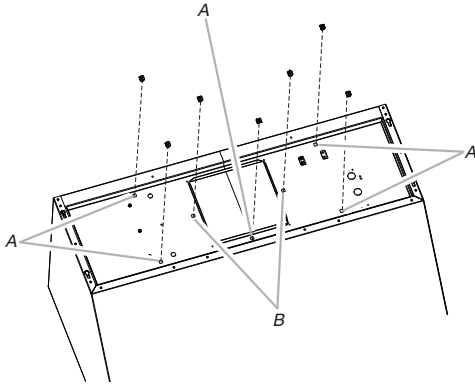
IMPORTANT: Perform steps 1-4 before mounting the range hood.

1. Remove grease filters from range hood. See the "Range Hood Care" section.
2. Install the motor support bracket using three 4.2 x 8 mm screws. Screw bracket to the inside top or back (alternate location on some models), toward the left side of the range hood.
3. Install motor spring clip using two 4.2 x 8 mm screws. Screw spring clip to the inside top or back (alternate location on some models) of the range hood at the proper location for the selected motor system. Slide the mounting tab of the spring clip through the slot in the panel and secure with the screws. Use the inside set of mounting holes for the single motor system. Use the outside set of mounting holes for the dual motor system.



A. 4.2 x 8 mm screws (3) for motor support bracket
B. 4.2 x 8 mm screws (2) for motor spring clip
C. Motor support bracket
D. Motor spring clip (single motor assembly location)
E. Motor spring clip (dual motor assembly location)

4. Install the 6 mm nuts to the outside top or outside back (alternate location on some models) of the range hood at the proper location for the selected motor system.
 - Two 6 mm nuts are required for the single motor system. Clip nuts into the small square notches located at the left and right end of the square vent opening.
 - Five 6 mm nuts are required for the dual motor system. Clip nuts into the small square notches, one located in the front of the square vent opening and the other four located at the left and right ends of the square vent opening.



A. Clip nut locations for dual motor assembly (5)
 B. Clip nut locations for single motor assembly (2)

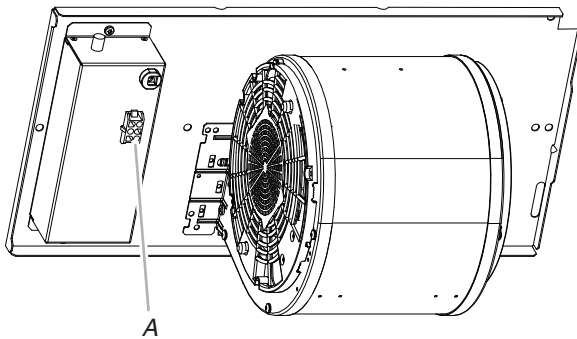
5. Mount range hood. See the “Install Range Hood” section.

Install Range Hood Internal Blower Motor

IMPORTANT: The blower has to be installed before installing the hood to the wall.

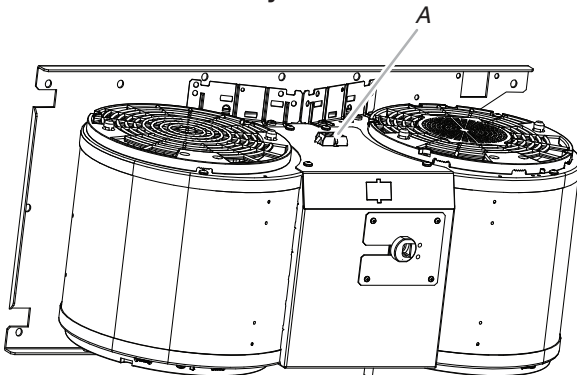
1. Install the range hood blower motor assembly inside the range hood with the wiring connection to the left for the single motor system and to the front or top for the dual motor system.

Single Blower Motor Assembly



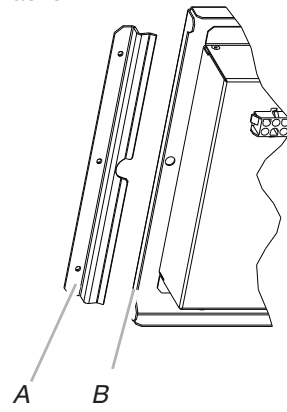
A. Wiring connection

Dual Blower Motor Assembly



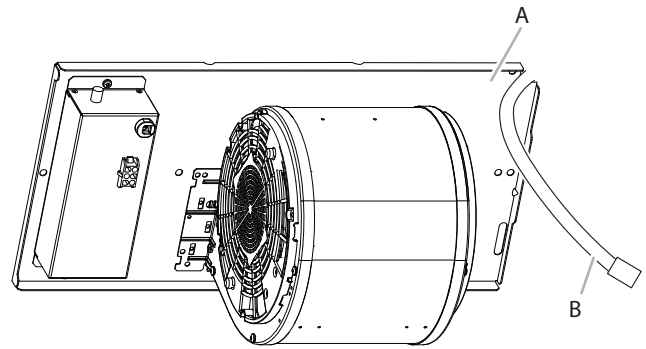
A. Wiring connection

2. Slide the left mounting plate flange under the motor mounting bracket.



A. Motor mounting bracket
 B. Mounting plate left flange

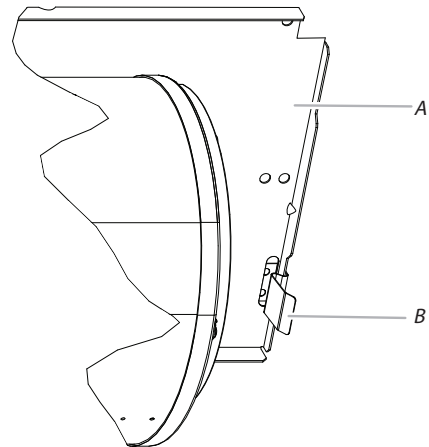
3. Run the power supply wires and connector from the range hood through the hole in the right end of the motor mounting plate.



A. Motor mounting plate
 B. Power supply wires and connector

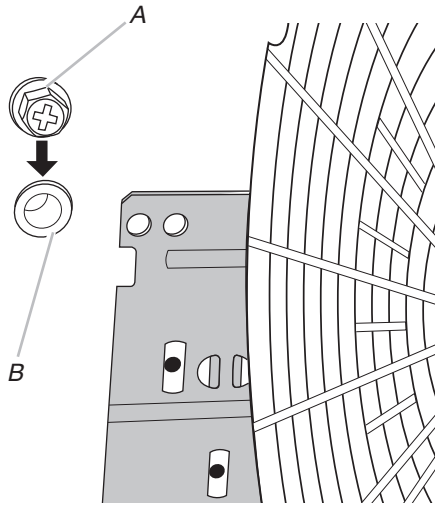
4. Push the right end of the motor mounting plate up and snap it into the spring tab.

NOTE: The spring tab should be outside the slot in the mounting plate.



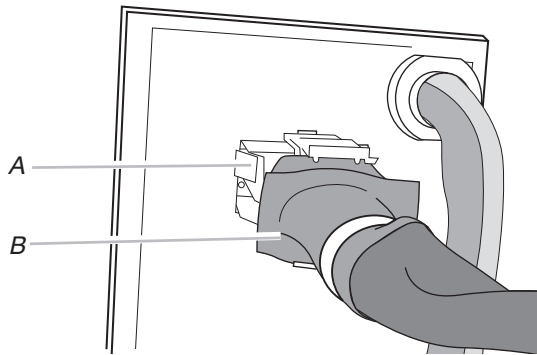
A. Motor mounting plate
 B. Spring clip

- Align mounting holes and install 6 x 16 mm screws and 6.4 mm lock washers.



A. Screw with lock washer
B. Mounting hole

- Attach power supply connector from the range hood to the connector on the blower motor assembly wiring box.



A. Wiring box connector
B. Power supply connector from range hood

- Go to the "Make Electric Power Supply Connection to Range Hood" section.

Install Range Hood In-Line (External Type) Blower Motor

NOTE: Your range hood requires you to purchase either an internal type or an in-line (external type) blower motor system.

Prepare for Mounting the In-Line Blower System

The in-line blower system must be fastened to a secure structure of the roof, ceiling, wall, floor, or new or existing frame construction. The four holes on either the inlet (bottom) side or the outlet (top) side of the blower must be used to mount the in-line blower system to the structure.

NOTE: The mounting hole locations must span the studs. Additional stud framing may be required. Plywood may be used to span open areas between ceiling joists or roof rafters to aid installation. This structure must be strong enough to support the weight of the in-line blower system (50 lb [22.6 kg] minimum).

Prepare the In-line Blower System

⚠ WARNING

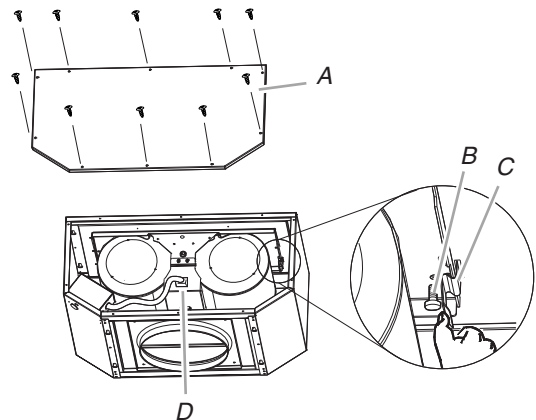
Excessive Weight Hazard

Use two or more people to move and install in-line blower motor system.

Failure to do so can result in back or other injury.

- Using two or more people, move the in-line blower motor system to the mounting location.
- Remove the 10 screws from the front cover of the in-line blower motor housing and set them aside.
- Remove the front cover of the in-line blower motor housing and set it aside.

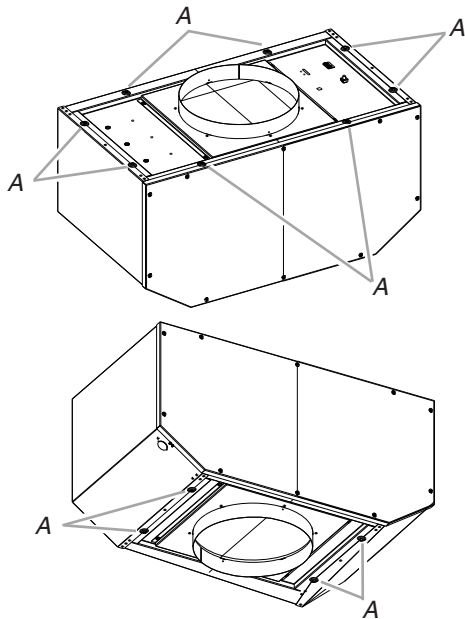
NOTE: To make the blower motor housing easier to mount, the blower motor assembly can be removed. If you do not want to remove the blower motor assembly, proceed to "Install In-line Blower System" in this section.
- Disconnect the motor electrical plug from the blower motor assembly.
- Remove the screws that secure the blower motor assembly to the in-line blower housing and set them aside.
- Pull the spring clip to release the blower motor assembly. Remove the blower motor assembly from the housing and place it on a covered surface.



A. Front cover
B. Blower mounting screws
C. Spring clip
D. Motor electrical plug

Install In-line Blower System

NOTE: The blower motor housing can be mounted using four holes from either the inlet side or the outlet side of the blower.

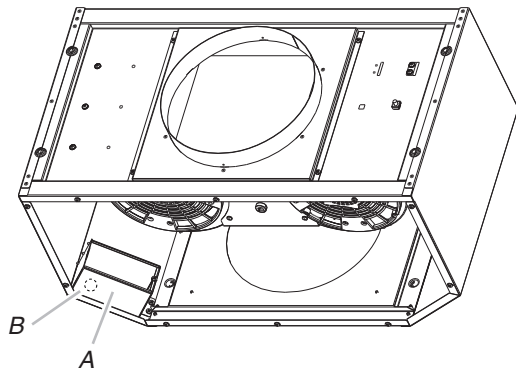


A. Mounting holes

1. Position the in-line blower motor housing in its mounting location and mark the four mounting hole locations.
2. Drill four mounting pilot holes using a 3/16" (4.8 mm) drill bit.
3. Attach the in-line blower motor housing to the mounting location with four 6 x 80 mm mounting screws and washers.
4. If it is removed, reinstall the blower motor assembly and secure it with the screws previously removed.
5. If it is removed, reattach the motor electrical plug to the connector on the blower motor assembly.

Complete Preparation

1. Determine and make all necessary cuts for the vent system.
IMPORTANT: When cutting or drilling into the ceiling or wall, do not damage electrical wiring or other hidden utilities.
2. Determine the location where the 1/2" (1.3 cm) wiring conduit will be routed through the ceiling or wall between the in-line blower and the range hood.
3. Drill a 1 1/4" (3.2 cm) hole at this location.
4. Locate the electrical terminal boxes in the in-line blower housing and range hood. Remove the terminal box covers and set the covers and screws aside.



A. Electrical terminal box
B. Electrical knockout

5. Remove the electrical knockout from the in-line blower housing and range hood to prepare for the installation of the UL listed or CSA approved 1/2" (1.3 cm) wiring conduit and conduit connector.
6. With the range hood mounted (see the "Install Range Hood" section), run the 1/2" (1.3 cm) wiring conduit between the in-line blower motor housing and the range hood. Pull enough 1/2" (1.3 cm) wiring conduit to allow for easy connection to the terminal boxes in the in-line blower housing and range hood.
7. Run the six 18 AWG wires through the 1/2" (1.3 cm) wiring conduit and conduit connectors and into the terminal boxes on the in-line blower housing and range hood. Leave enough wire length in each terminal box to make the wiring connections.
8. Install the conduit connectors and conduit to the in-line blower housing and range hood electrical terminal boxes.
9. Connect the vent system to the range hood and in-line blower system and seal all joints with clamps.

Make Electrical Connections for In-Line Blower Motor System

⚠ WARNING



Electrical Shock Hazard

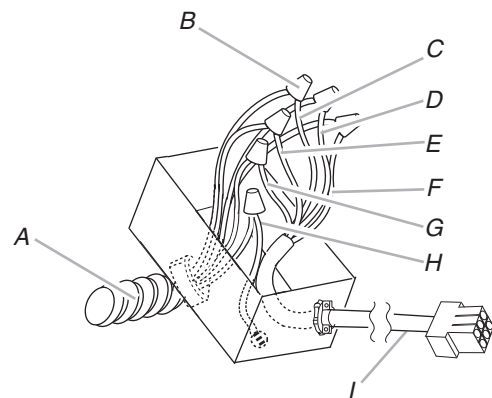
Disconnect power before servicing.

Replace all parts and panels before operating.

Failure to do so can result in death or electrical shock.

Electrical Connection Inside In-line Blower System

1. Disconnect power.
2. Connect the wires from the wiring conduit to the wires from the motor electrical plug cable inside the in-line blower housing terminal box.




- | | |
|---|---|
| A. UL listed or CSA approved 1/2" (1.3 cm) wiring conduit | F. Blue wires |
| B. UL listed wire connectors | G. Gray wires |
| C. Black wires | H. Green (or yellow/green) and green/yellow wires |
| D. White wires | I. Motor electrical plug cable |
| E. Red wires | |

3. Use UL listed wire connectors and connect the black wires (C) together.
4. Use UL listed wire connectors and connect the white wires (D) together.

- Use UL listed wire connectors and connect the red wires (E) together.
- Use UL listed wire connectors and connect the blue wires (F) together.
- Use UL listed wire connectors and connect the gray wires (G) together.

⚠ WARNING



Electrical Shock Hazard

Electrically ground blower.

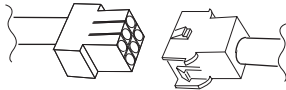
Connect ground wire to green and yellow ground wire in terminal box.

Failure to do so can result in death or electrical shock.

- Connect the green (or yellow/green) ground wire to the green/yellow ground wire (H) in the terminal box using UL listed wire connectors.
- Reinstall the in-line blower terminal box cover and screw.
- Reinstall the front cover of the in-line blower housing and secure it with 10 mounting screws.

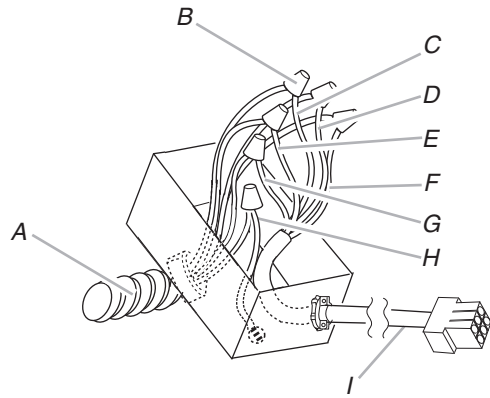
Electrical Connection Inside Range Hood Between In-line Blower System and Range Hood

- With the range hood mounted (see the “Install Range Hood” section), locate the wiring cable connector inside the range hood.
- Connect the 6-wire connector assembly supplied with the in-line blower motor system to the mating cable connector from the range hood.



- Locate the terminal box inside the range hood and install a 1/2" (1.3 cm) UL listed or CSA approved strain relief (see “Complete Preparation” in the “Prepare Location” section).
- Run the wire ends from the 6-wire connector assembly through the 1/2" (1.3 cm) strain relief, leaving enough wire length to make the wiring connections. Tighten the strain relief screws.
- Connect the wires from the six-wire connector assembly to the wires from the wiring conduit inside the range hood terminal box.
- Connect the same color wires to each other (black to black, white to white, etc.) using UL listed wire connectors.

NOTE: Connect the green (or green/yellow) ground wire from the wiring conduit to the green (or bare) ground wire from the home power supply using UL listed wire connectors (see the “Make Electrical Power Supply Connection to Range Hood” section).




- | | |
|---|---|
| A. UL listed or CSA approved 1/2" (1.3 cm) wiring conduit | F. Blue wires |
| B. UL listed wire connectors | G. Gray wires |
| C. Black wires | H. Green (or yellow/green) and green/yellow wires |
| D. White wires | I. Motor electrical plug cable |
| E. Red wires | |

- Go to “Make Electrical Power Supply Connection to Range Hood” section.

Make Electrical Power Supply Connection to Range Hood

⚠ WARNING



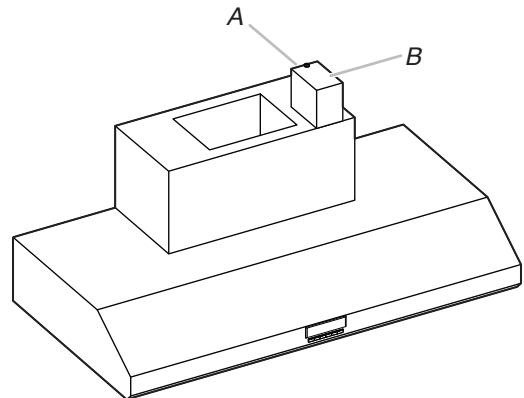
Electrical Shock Hazard

Disconnect power before servicing.

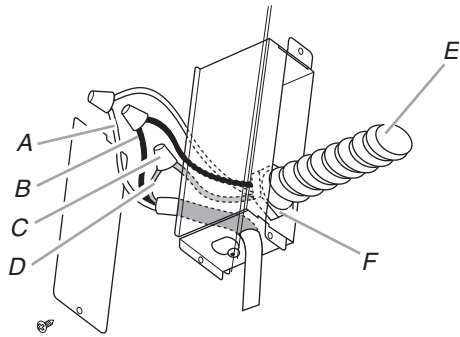
Replace all parts and panels before operating.

Failure to do so can result in death or electrical shock.

- Disconnect power.
- Locate terminal box on top of the range hood.



- A. Knockout in back of terminal box
B. Top of terminal box



- A. White wires
- B. Black wires
- C. UL listed wire connectors
- D. Green, bare or yellow/green wires
- E. Home power supply
- F. UL listed or CSA approved 1/2" (1.3 cm) strain relief

3. Use UL listed wire connectors and connect black wires (B) together.
4. Use UL listed wire connectors and connect white wires (A) together.

⚠ WARNING



Electrical Shock Hazard

Electrically ground blower.

Connect ground wire to green and yellow ground wire in terminal box.

Failure to do so can result in death or electrical shock.

NOTE: When using an in-line blower motor system, the green (or green/yellow) ground wire in the conduit from the in-line blower motor system is to be connected with the green (or bare) wire of the home power supply cable and with the green/yellow wire (D) in the terminal box.

5. Connect green (or bare) ground wire from home power supply to the green/yellow ground wire (D) in terminal box using UL listed wire connectors.
6. Install terminal box cover.
7. Check that all light bulbs are secure in their sockets.
8. Reconnect power.

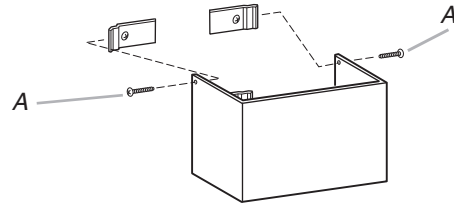
Install Chimney Covers

Connect the vent system and seal all connections with clamps.

Install Upper Chimney Cover

1. Slightly spread the sides of the cover apart and hook them behind the chimney mounting brackets.
2. Attach the cover to the brackets with 2 - 4.2 x 8 mm screws.

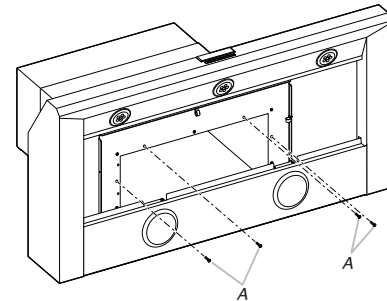
3. Securely tighten screws.



A. Two 4.2 x 8 mm screws

Install Lower Chimney Cover

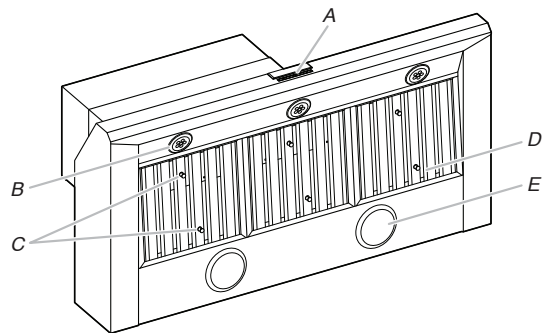
1. Slightly spread the sides of the cover apart and hook them behind the upper chimney.
2. From inside the range hood, use the 4 - 4.2 x 8 mm screws to attach the lower chimney cover to the body of the range hood.
3. Securely tighten screws.



A. Screws

Complete Installation and Check Operation

1. Install grease filters. See the "Range Hood Care" section.
2. Check operation of the range hood blower and lights. See the "Range Hood Use" section.



- A. Blower control switches
- B. LED lights
- C. Grease filter handles
- D. Grease filter
- E. Heat lamps

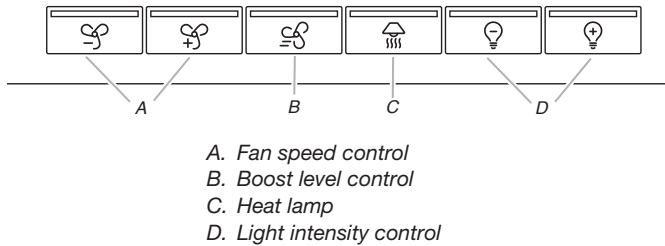
3. If range hood does not operate, check to see whether a circuit breaker has tripped or a household fuse has blown. Disconnect power supply and check that the wiring is correct.

NOTE: To get the most efficient use from your new range hood, read the "Range Hood Use" section.

RANGE HOOD USE

The range hood is designed to remove smoke, cooking vapors and odors from the cooktop area. For best results, start the range hood before cooking and allow it to operate several minutes after the cooking is complete to clear all smoke and odors from the kitchen.

The range hood controls are located on the underside of the range hood.



Range Hood Controls

Operating the Light

1. Press the light control buttons (C) to turn on and control the light settings.
2. To select a lower intensity, press the left of the two light control buttons until desired light setting. To increase, press the right button.

Operating the Fan

1. Press the fan speed control buttons (A) to turn on and control the fan settings.
2. To boost the fan speed for five minutes, press the Fan Boost level button (B). Once the five minutes have passed, the fan will return to the previously selected speed.

Auto On Fan

The range hood has a built in sensor to automatically turn the fan on when excessive heat is detected. If needed, the sensor will turn the fan to the Boost setting, and once the heat decreases, the fan will automatically turn off.

Adjusting the Fan

The fan has three speed controls. Move the fan speed switch to “1” position for low speed, “2” position for medium speed, or “3” position for high speed.

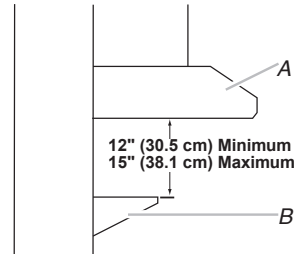
Thermal Protector

The range hood is equipped with a thermal protector to avoid overheating conditions. If the range hood shuts off while in use, press OFF button to turn off the range hood. Wait approximately 60 minutes, then press ON to restart the range hood.

Operating the Heat Lamp

The heat lamps are designed to keep food warm prior to serving. The cooktop surface is too far away from the heat lamp to be used as a shelf.

For best results, install a metal shelf to hold the food closer to the lamps. The optimum distance between the shelf and the range hood is 12" (30.5 cm) to 15" (38.1 cm).



A. Range hood
B. Metal shelf

For best performance, food should be placed directly under the heat lamps, not between them. You may need to adjust your food placement to match your needs.

1. Install heat lamp bulbs into heat lamp sockets.

NOTE: Heat lamp bulbs should be rated to a maximum of 175 W each. For best performance, 175 W maximum, PAR38 type, red heat lamp bulbs are recommended. Bulb performance varies. Lower wattage and clear bulbs decrease the performance.

⚠️ WARNING

Food Poisoning Hazard

Do not let food sit for more than one hour before or after cooking.

Doing so can result in food poisoning or sickness.

2. To turn on the heat lamps, move the switch to the “I” position. To turn off the heat lamps, move the switch to the “O” position.

RANGE HOOD CARE

Cleaning

IMPORTANT: Clean the range hood and grease filters frequently according to the following instructions. Replace grease filters before operating range hood.

Exterior Surfaces:

To avoid damage to the exterior surface, do not use steel wool or soap-filled scouring pads.

Always wipe dry to avoid water marks.

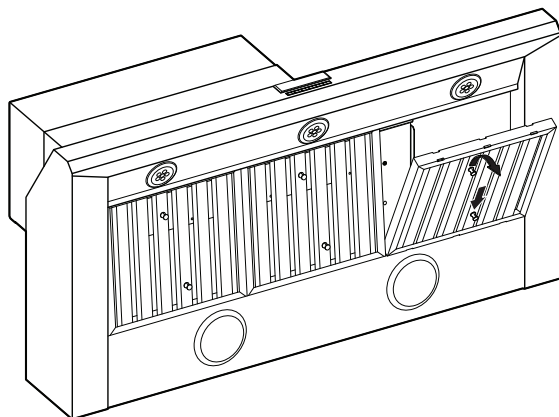
Cleaning Method:

- Liquid detergent soap and water or all purpose cleanser.
- Wipe with damp soft cloth or nonabrasive sponge, then rinse with clean water and wipe dry.

Metal Grease Filter

To Remove Metal Grease Filters:

1. Use two hands to remove the metal grease filters. Grasp filter handles, push toward the rear of the range hood and pull down on the front handle to remove.



2. Repeat for each grease filter.
3. Grease filters should be cleaned using warm water, dish washing liquid, and a non abrasive brush. Dishwasher not recommended.

To Reinstall Metal Grease Filters:

1. Grasp filter handles and place rear of filter into rear track.
2. Push down on the rear handle and set the front of the grease filter into the front track to secure.
3. Repeat for each filter.

Replacing a Heat Lamp

This range hood uses two 175 W maximum heat lamps. Turn off the heat lamps and allow them to cool.

To Replace:

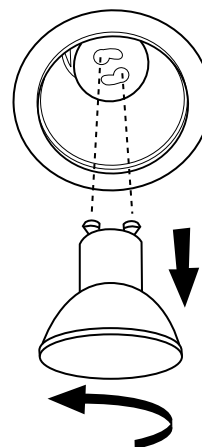
1. Disconnect power.
2. Remove the heat lamp bulb from its socket.
3. Replace the heat lamp bulb with the same type bulb and tighten it in its socket.
4. Repeat steps 2 and 3 with the other heat lamp bulb if necessary.
5. Reconnect the power.

Replacing a LED Lamp

Turn off the range hood and allow the LED lamp to cool. To avoid damage or decreasing the life of the new bulb, do not touch bulb with bare fingers. Replace bulb, using tissue or wearing cotton gloves to handle bulb.

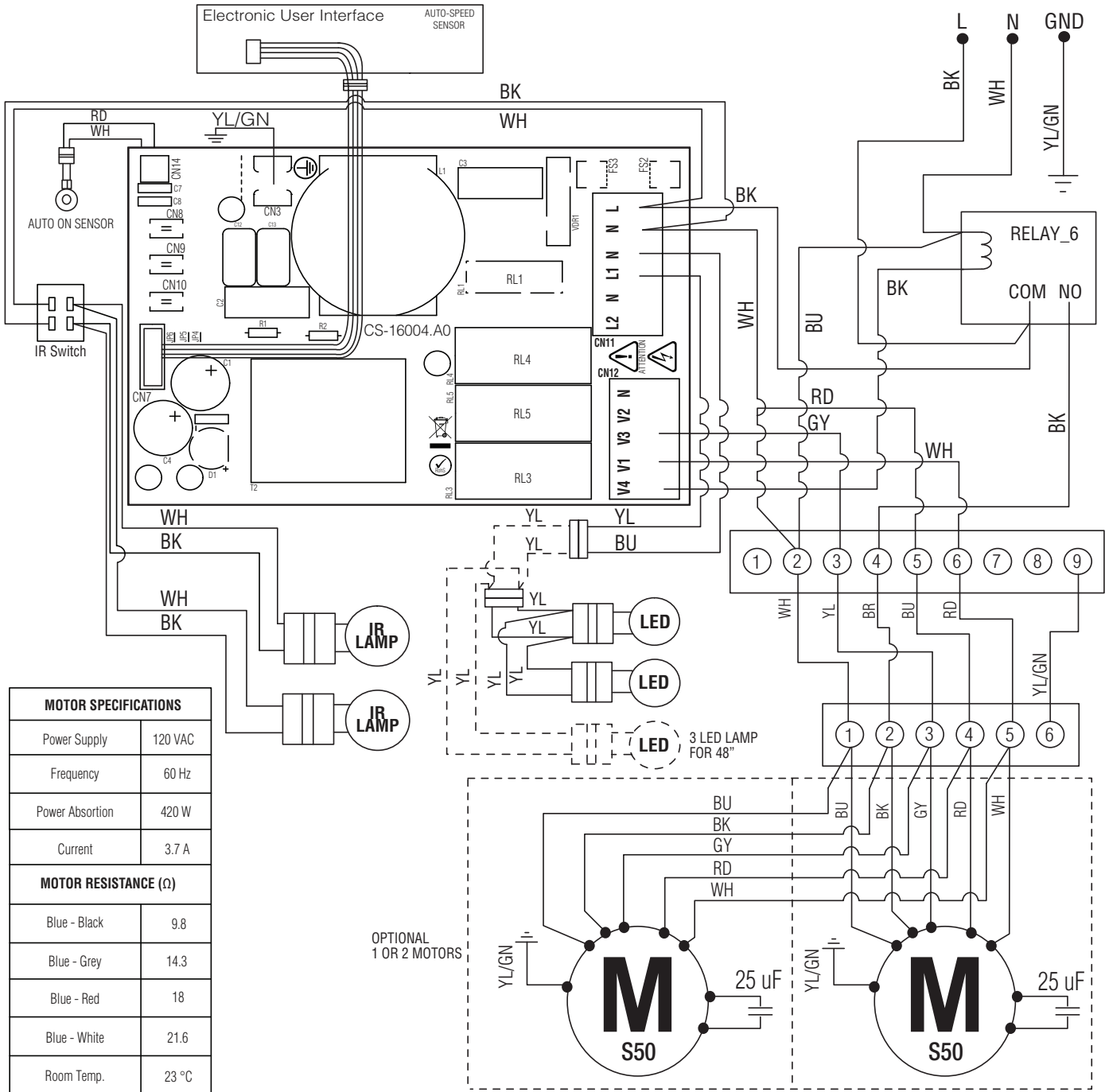
If new lamps do not operate, make sure the bulbs are inserted correctly before calling service.

1. Disconnect power.
2. Push up on the lens and turn it counterclockwise.



3. Remove the bulb and replace it with a 120 V, 6.5 W maximum halogen bulb with a GU10 base. Turn it clockwise to lock it into place.
4. Repeat steps 2-3 for the other bulb if needed.
5. Reconnect power.

WIRING DIAGRAM



| MOTOR SPECIFICATIONS | |
|----------------------|---------|
| Power Supply | 120 VAC |
| Frequency | 60 Hz |
| Power Absorption | 420 W |
| Current | 3.7 A |
| MOTOR RESISTANCE (Ω) | |
| Blue - Black | 9.8 |
| Blue - Grey | 14.3 |
| Blue - Red | 18 |
| Blue - White | 21.6 |
| Room Temp. | 23 °C |

OPTIONAL
1 OR 2 MOTORS

ASSISTANCE OR SERVICE

When calling for assistance or service, please know the purchase date and the complete model and serial number of your appliance. This information will help us to better respond to your request.

If you need replacement parts

If you need to order replacement parts, we recommend that you use only factory specified parts. Factory specified parts will fit right and work right because they are made with the same precision used to build every new appliance. To locate factory specified replacement parts in your area, call us or your nearest designated service center.

In the U.S.A.

Call the KitchenAid Customer eXperience Center toll free: **1-800-422-1230**.

Our consultants provide assistance with:

- Features and specifications on our full line of appliances.
- Referrals to local KitchenAid appliance dealers.
- Installation information.
- Use and maintenance procedures.
- Accessory and repair parts sales.
- Specialized customer assistance (Spanish speaking, hearing impaired, limited vision, etc.).
- Referrals to local dealers, repair parts distributors and service companies. KitchenAid designated service technicians are trained to fulfill the product warranty and provide afterwarranty service, anywhere in the United States. To locate the KitchenAid designated service company in your area, you can also look in your telephone directory Yellow Pages.

For further assistance

If you need further assistance, you can write to KitchenAid with any questions or concerns at:

KitchenAid Brand Home Appliances
Customer eXperience Center
553 Benson Road
Benton Harbor, MI 49022-2692

Please include a daytime phone number in your correspondence.

In Canada

Call the KitchenAid Canada Customer eXperience Centre toll free: **1-800-807-6777**.

Our consultants provide assistance with:

- Features and specifications on our full line of appliances.
- Use and maintenance procedures.
- Accessory and repair parts sales.
- Referrals to local dealers, repair parts distributors and service companies. KitchenAid Canada designated service technicians are trained to fulfill the product warranty and provide after-warranty service, anywhere in Canada.

For further assistance

If you need further assistance, you can write to KitchenAid Canada with any questions or concerns at:

Customer eXperience Centre
KitchenAid Canada
200 - 6750 Century Ave.
Mississauga, Ontario L5N 0B7

Please include a daytime phone number in your correspondence.

SÉCURITÉ DE LA HOTTE

Votre sécurité et celle des autres est très importante.

Nous donnons de nombreux messages de sécurité importants dans ce manuel et sur votre appareil ménager. Assurez-vous de toujours lire tous les messages de sécurité et de vous y conformer.



Voici le symbole d'alerte de sécurité.

Ce symbole d'alerte de sécurité vous signale les dangers potentiels de décès et de blessures graves à vous et à d'autres.

Tous les messages de sécurité suivront le symbole d'alerte de sécurité et le mot "DANGER" ou "AVERTISSEMENT". Ces mots signifient :

⚠ DANGER

Risque possible de décès ou de blessure grave si vous ne suivez pas immédiatement les instructions.

⚠ AVERTISSEMENT

Risque possible de décès ou de blessure grave si vous ne suivez pas les instructions.

Tous les messages de sécurité vous diront quel est le danger potentiel et vous disent comment réduire le risque de blessure et ce qui peut se produire en cas de non-respect des instructions.

IMPORTANTES INSTRUCTIONS DE SÉCURITÉ

AVERTISSEMENT : POUR RÉDUIRE LE RISQUE D'INCENDIE, CHOC ÉLECTRIQUE OU DOMMAGES CORPORELS, RESPECTER LES INSTRUCTIONS SUIVANTES :

- Utiliser cet appareil uniquement dans les applications envisagées par le fabricant. Pour toute question, contacter le fabricant.
- Avant d'entreprendre un travail d'entretien ou de nettoyage, interrompre l'alimentation de la hotte au niveau du tableau de disjoncteurs, et verrouiller le tableau de disjoncteurs pour empêcher tout rétablissement accidentel de l'alimentation du circuit. Lorsqu'il n'est pas possible de verrouiller le tableau de disjoncteurs, placer sur le tableau de disjoncteurs une étiquette d'avertissement proéminente interdisant le rétablissement de l'alimentation.
- Tout travail d'installation ou câblage électrique doit être réalisé par une personne qualifiée, dans le respect des prescriptions de tous les codes et normes applicables, y compris les codes du bâtiment et de protection contre les incendies.
- Ne pas faire fonctionner un ventilateur dont le cordon ou la fiche est endommagé(e). Jeter le ventilateur ou le retourner à un centre de service agréé pour examen et/ou réparation.
- Une source d'air de débit suffisant est nécessaire pour le fonctionnement correct de tout appareil à gaz (combustion et évacuation des gaz à combustion par la cheminée), pour qu'il n'y ait pas de reflux des gaz de combustion. Respecter les directives du fabricant de l'équipement de chauffage et les prescriptions des normes de sécurité - comme celles publiées par la National Fire Protection Association (NFPA) et l'American Society for Heating, Refrigeration and Air Conditioning Engineers (ASHRAE), et les prescriptions des autorités réglementaires locales.
- Lors des opérations de découpage et de perçage dans un mur ou un plafond, ne pas endommager les câblages électriques et les canalisations qui peuvent s'y trouver.
- Les ventilateurs d'évacuation doivent toujours décharger l'air à l'extérieur.

MISE EN GARDE : Cet appareil est conçu uniquement pour la ventilation générale. Ne pas l'utiliser pour l'extraction de matières ou vapeurs dangereuses ou explosives.

MISE EN GARDE : Pour minimiser le risque d'incendie et évacuer adéquatement les gaz, veiller à acheminer l'air aspiré par un conduit jusqu'à l'extérieur - ne pas décharger l'air aspiré dans un espace vide du bâtiment comme une cavité murale, un plafond, un grenier, un vide sanitaire ou un garage.

AVERTISSEMENT : POUR RÉDUIRE LE RISQUE D'INCENDIE, UTILISER UNIQUEMENT DES CONDUITS MÉTALLIQUES.

AVERTISSEMENT : POUR MINIMISER LE RISQUE D'UN FEU DE GRAISSE SUR LA CUISINIÈRE :

- Ne jamais laisser un élément de surface fonctionner à puissance de chauffage maximale sans surveillance. Un renversement/débordement de matière grasseuse pourrait provoquer une inflammation et la génération de fumée. Utiliser une puissance de chauffage moyenne ou basse pour le chauffage d'huile.
- Veiller à toujours faire fonctionner le ventilateur de la hotte lors de la cuisson avec une puissance de chauffage élevée ou lors de la cuisson d'un mets à flamber (à savoir crêpes Suzette, cerise jubilé, steak au poivre flambé).
- Nettoyer fréquemment les ventilateurs d'extraction. Veiller à ne pas laisser la graisse s'accumuler sur les surfaces du ventilateur ou des filtres.
- Utiliser toujours un ustensile de taille appropriée. Utiliser toujours un ustensile adapté à la taille de l'élément chauffant.

AVERTISSEMENT : POUR RÉDUIRE LE RISQUE DE DOMMAGES CORPORELS APRÈS LE DÉCLENCHEMENT D'UN FEU DE GRAISSE SUR LA CUISINIÈRE, APPLIQUER LES RECOMMANDATIONS SUIVANTES :^a

- Placer sur le récipient un couvercle bien ajusté, une tôle à biscuits ou un plateau métallique POUR ÉTOUFFER LES FLAMMES, puis éteindre le brûleur. VEILLER À ÉVITER LES BRÛLURES. Si les flammes ne s'éteignent pas immédiatement, ÉVACUER LA PIÈCE ET APPELER LES POMPIERS.
- NE JAMAIS PRENDRE EN MAIN UN RÉCIPENT ENFLAMMÉ - vous risquez de vous brûler.
- NE PAS UTILISER D'EAU, ni un torchon humide - ceci pourrait provoquer une explosion de vapeur brûlante.
- Utiliser un extincteur SEULEMENT si :
 - Il s'agit d'un extincteur de classe ABC, dont on connaît le fonctionnement.
 - Il s'agit d'un petit feu encore limité à l'endroit où il s'est déclaré.
 - Les pompiers ont été contactés.
 - Il est possible de garder le dos orienté vers une sortie pendant l'opération de lutte contre le feu.

^aRecommandations tirées des conseils de sécurité en cas d'incendie de cuisine publiés par la NFPA.

- **AVERTISSEMENT** : Pour réduire le risque d'incendie ou de choc électrique, ne pas utiliser ce ventilateur avec un quelconque dispositif de réglage de la vitesse à semi-conducteurs.

LIRE ET CONSERVER CES INSTRUCTIONS

EXIGENCES D'INSTALLATION

Outils et pièces

Rassembler les outils et pièces nécessaires avant d'entreprendre l'installation. Lire et observer les instructions fournies avec chacun des outils de la liste ci-dessous.

REMARQUE : Cette hotte est recommandée pour une utilisation avec une surface de cuisson suivant les spécifications suivantes :

Jumeler une hotte de 36 po (91,4 cm) ou 48 po (122 cm) avec un moteur (585 pi³/m) avec une cote maximale de 90 000 BTU.

Jumeler une hotte de 36 po (91,4 cm) ou 48 po (122 cm) avec deux moteurs (1170 pi³/m) avec une cote maximale de 105 000 BTU.

Outils nécessaires

- Niveau
- Perceuse
- Foret de 1 1/4 po (3 cm)
- Foret de 3/32 po (2,4 mm) en cas d'installation dans du bois
- Crayon
- Pince à dénuder ou couteau à lame rétractable
- Ruban à mesurer ou règle
- Pince
- Pistolet à calfeutrage et calfeutrant étanche
- Brides de conduit
- Scie sauteuse ou scie à guichet
- Tournevis à tête plate
- Cisaille à métaux
- Tournevis à tête cruciforme
- Ciseaux

Pièces nécessaires

- Câble d'alimentation électrique du domicile
- Serre-câbles de 1/2 po (1,3 cm) (homologation UL ou CSA)
- Trois connecteurs de fils (homologation UL)
- Un bouche de décharge (décharge à travers le mur ou à travers le toit)
- Circuit d'évacuation métallique
- Deux ampoules à infrarouge de 175 W max
- Système du moteur du ventilateur – interne ou externe

Pièces fournies

Retirer les pièces de leur emballage. Vérifier que toutes les pièces sont présentes.

- Deux filtres à graisse en métal pour les modèles de 36 po (91,4 cm) et trois filtres à graisse en métal pour les modèles de 48 po (121,9 cm)
- Deux brides de support du cache-conduit
- Deux vis de 4,5 x 13 mm
- Deux vis de montage de 10 x 50 mm
- Deux vis de montage de 8 x 40 mm
- Deux rondelles D5.3 x 20 mm
- Quatre vis de 5 x 45 mm
- Six vis de 4,2 x 8 mm
- Adaptateur Torx® T-20®†

Exigences d'emplacement

IMPORTANT : observer les dispositions de tous les codes et règlements en vigueur.

Confier l'installation de la hotte à un technicien qualifié. C'est à l'installateur qu'incombe la responsabilité de respecter les distances de séparation spécifiées sur la plaque signalétique. La plaque signalétique de l'appareil est située à l'intérieur, près de la paroi arrière de la hotte.

La hotte devrait être située loin des sources de courant d'air comme les fenêtres, portes et bouches de chauffage.

Respecter les dimensions indiquées pour les ouvertures à découper dans les meubles. Ces dimensions représentent les valeurs minimales des dégagements.

La hotte est configurée à l'usine pour la décharge à travers le toit ou le mur.

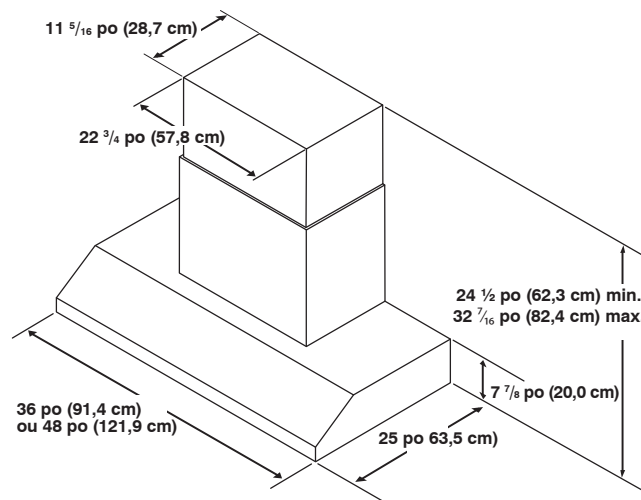
Toutes les ouvertures dans le plafond et le mur de l'emplacement d'installation de la hotte doivent être scellées.

Pour une installation dans une résidence mobile

L'installation de cette hotte doit s'effectuer conformément aux descriptions de la norme Manufactured Home Construction Safety Standards, Title 24 CFR, Part 328 (anciennement Federal Standard for Mobile Home Construction and Safety, title 24, HUD, Part 280) ou lorsque cette norme n'est pas applicable, utiliser la norme Standard for Manufactured Home Installations 1982 (Manufactured Home Sites, Communities and Setups) ANSI A225.1/NFPA 501A ou respecter les dispositions des codes locaux.

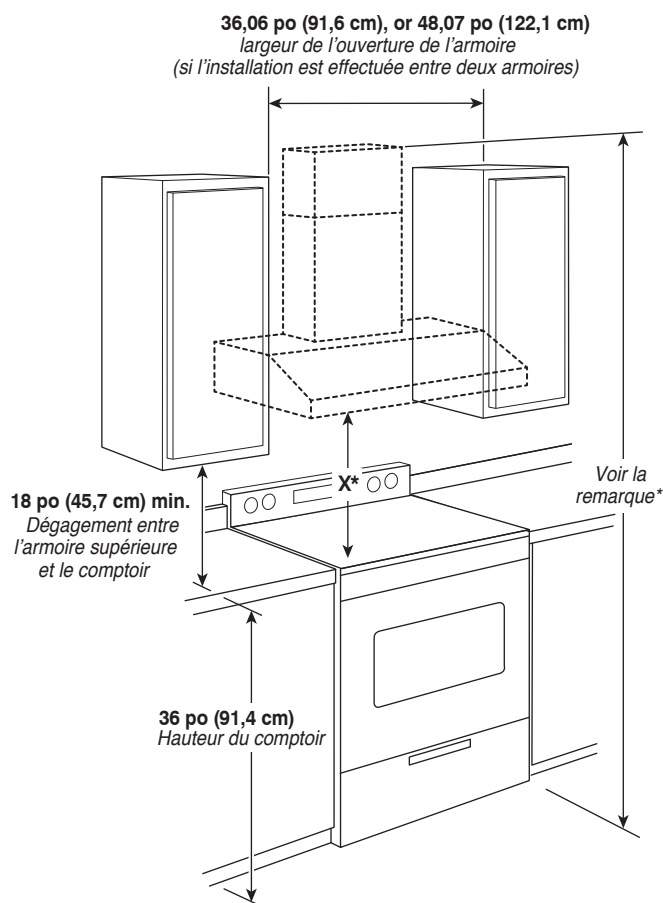
Dimensions du produit

Installations avec évacuation à l'extérieur



†TORX® et T20® sont des marques déposées de Acument Intellectual Properties, LLC.

Dimensions d'installation



***REMARQUE :** Les cache-conduits de hotte sont réglables; on peut les ajuster en fonction de la hauteur disponible sous plafond ou soffite, selon la distance « X » entre le bas de la hotte et la surface de cuisson. Pour des plafonds de hauteur supérieure, un ensemble d'extension de cache-conduit est disponible chez votre marchand ou chez un distributeur de pièces autorisé. L'extension de cache-conduit remplace la section supérieure de cheminée fournie avec la hotte. Voir la section « Assistance ou service » pour commander.

IMPORTANT :

Valeur minimale de la distance « X » : 24 po (61 cm) à partir des surfaces de cuisson électriques

Valeur minimale de la distance « X » : 30 po (76,2 cm) à partir des surfaces de cuisson au gaz

Les cache-conduits peuvent être ajustés pour une hauteur sous plafond de 8 pi 2 3/8 po (2,5 m) et 8 pi 10 5/16 po (2,7 m) lors d'une installation à une hauteur de 30 po (76,2 cm) au-dessus d'une surface de cuisson au gaz.

Les cache-conduits peuvent être ajustés pour une hauteur sous plafond de 7 pi 8 3/8 po (2,4 m) et 8 po 4 5/16 po (2,55 m) lors d'une installation à une hauteur de 24 po (61 cm) au-dessus d'une surface de cuisson électrique.

Exigences concernant l'évacuation

- Le système doit évacuer l'air à l'extérieur.
- Ne pas terminer le circuit d'évacuation dans un grenier ou dans un autre espace clos.
- Ne pas utiliser de bouches de décharge murale de 4 po (10,2 cm) normalement utilisées pour un équipement de buanderie.
- Utiliser un conduit métallique uniquement. Un conduit en métal rigide est recommandé. Il n'est pas recommandé d'utiliser un conduit en plastique ou en métal très mince.
- La longueur du circuit d'évacuation et le nombre de coudes doivent être réduits au minimum pour des performances optimales.

Pour un fonctionnement efficace et silencieux :

- Ne pas utiliser plus de trois coudes à 90°.
- Veiller à incorporer une section de conduit rectiligne d'au moins 24 po (61,0 cm) entre deux raccords coudés adjacents.
- Ne pas installer deux coudes ensemble.
- Au niveau de chaque jointure du circuit d'évacuation, assurer l'étanchéité avec les brides de serrage.
- Le circuit d'évacuation doit comporter un clapet anti-reflux. Si la bouche de décharge murale ou par le toit comporte un clapet anti-reflux, ne pas utiliser le clapet fourni avec la hotte de cuisinière.
- À l'aide d'un produit de calfeutrage, assurer l'étanchéité autour de la bouche de décharge à l'extérieur (à travers le mur ou le toit).
- La taille du conduit doit être uniforme.

Installations dans les régions au climat froid

Un clapet anti-reflux additionnel devrait être installé pour minimiser le reflux d'air froid et une barrière thermique devrait aussi être installée pour minimiser la conduction des températures extérieures par l'intermédiaire du conduit d'évacuation. Le clapet anti-reflux doit être placé du côté air froid de la barrière thermique.

La barrière thermique doit être aussi proche que possible de l'entrée du circuit d'évacuation dans la partie chauffée de la maison.

Air de compensation

Les codes locaux en bâtiment peuvent imposer l'emploi d'un circuit de renouvellement de l'air/introduction d'air de compensation, lors de l'utilisation d'un circuit d'aspiration de débit supérieur à une valeur spécifiée en pieds cubes par minute (CFM). Le débit spécifié en pieds cubes par minute varie d'une juridiction à l'autre.

Consulter un professionnel des installations de chauffage ventilation/climatisation au sujet des exigences spécifiques applicables dans la juridiction locale.

Méthodes d'évacuation

Installations d'évacuation typiques avec système de moteur de ventilateur interne

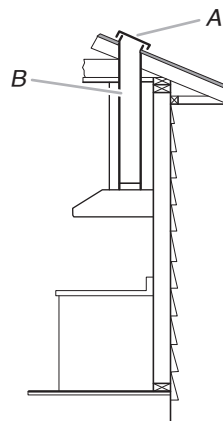
Un circuit d'évacuation en conduit rond de 10 po (25,4 cm) est nécessaire pour l'installation (non fourni). La hotte comporte une ouverture de sortie d'un diamètre de 10 po (25,4 cm).

REMARQUE : L'emploi d'un conduit flexible est déconseillé.

Un conduit flexible peut causer une contre-pression et des turbulences d'air, qui réduisent considérablement la performance.

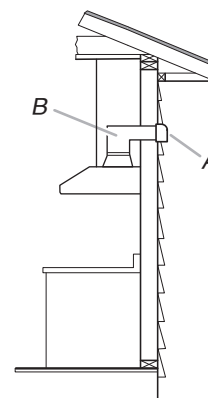
La sortie à l'extérieur du circuit d'évacuation peut se faire à travers le toit ou le mur. Pour la sortie à travers le mur, on doit employer un raccord coudé à 90°.

Évacuation par le toit



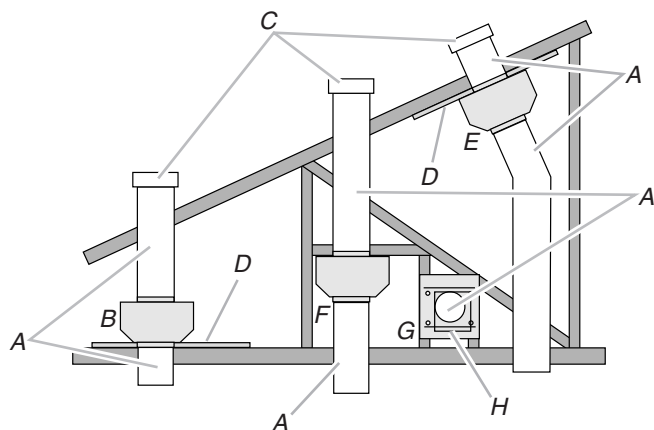
A. Bouche de décharge sur toit
B. Conduit rond de 10 po (25,4 cm)

Évacuation par le mur



A. Bouche de décharge murale
B. Conduit rond de 10 po (25,4 cm)



Installations d'évacuation typiques avec système de moteur de ventilateur en ligne



- A. Conduit rond de 10 po (25,4 cm)
- B. Montage au-dessus des solives
- C. Bouches de décharge sur toit
- D. Contre-plaqué (facultatif sur certaines installations)
- E. Montage sous les chevrons
- F. Montage sur traverses de ferme
- G. Conduit horizontal, montage sur traverses de ferme
- H. Bouche de décharge murale

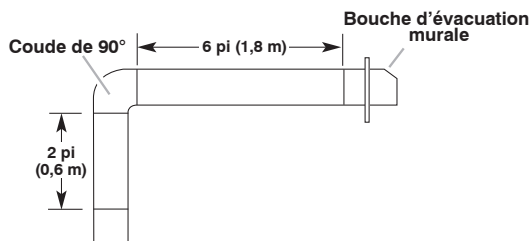
Calcul de la longueur du circuit d'évacuation

Pour calculer la longueur effective du circuit d'évacuation nécessaire, additionner les longueurs équivalentes (en pieds ou mètres) de tous les composants utilisés dans le circuit.

| Composant | Longueur équivalente |
|--------------|--|
| Coude de 45° | 2,5 pi (0,8 m)  |
| Coude de 90° | 5,0 pi (1,5 m)  |

Les longueurs maximales équivalentes de conduit sont les suivantes :
Conduit rond de 10 po (25,4 cm) – 60 pi (18,3 m)

Exemple de circuit d'évacuation



Dans l'exemple suivant, la longueur de conduit respecte la longueur de conduit recommandée maximale.

| | |
|--------------------------------|-----------------|
| Un coude de 90° | = 5 pi (1,5 m) |
| Une bouche de décharge murale | = 0 pi (0 m) |
| Section droite de 8 pi (2,4 m) | = 8 pi (2,4 m) |
| Longueur du circuit | = 13 pi (3,9 m) |

Spécifications électriques

Observer les dispositions de tous les codes et règlements en vigueur.

S'assurer que l'installation électrique est appropriée et conforme au National Electrical Code, à la norme ANSI/NFPA 70 (plus récente édition) ou à la norme CSA C22.1-94, au Code canadien de l'électricité, partie 1 et C22.2 No 0-M91 (plus récente édition) et à tous les codes et règlements locaux.

Si les codes le permettent et si on utilise un conducteur distinct de mise à la terre, il est recommandé qu'un électricien qualifié vérifie la qualité de la mise à la terre.

Pour obtenir un exemplaire des normes des codes ci-dessus, contacter :

National Fire Protection Association
1 Batterymarch Park
Quincy, MA 02269-7471
CSA International
8501 East Pleasant Valley Road
Cleveland, OH 44131-5575

- L'appareil doit être alimenté par un circuit de 120 V ~ CA à 60 Hz, 463 W seulement et protégé par fusible de 3,8 A.
- Si le domicile possède un câblage en aluminium, suivre la procédure ci-dessous :

Connecter le câblage en aluminium en utilisant des capuchons ou des outils spécialement conçus et homologués UL pour raccorder le cuivre à l'aluminium.

Suivre la procédure recommandée par le fabricant de connecteurs électriques. Les raccordements aluminium/cuivre doivent satisfaire aux prescriptions des codes locaux et de l'industrie, et être conformes aux pratiques de câblage reconnues.

- Le calibre des conducteurs et les connexions doivent être compatibles avec les caractéristiques électriques de l'appareil spécifiées sur la plaque signalétique. La plaque signalétique de l'appareil est située derrière le filtre, sur la paroi arrière de la hotte.
- Le calibre des câbles et des raccordements doit être conforme au National Electrical Code, ANSI/NFPA 70 (édition la plus récente) ou CSA Standards C22. 1-94, Code canadien des installations électriques, partie 1 et C22.2 No 0-M91 (édition la plus récente) et de tous les codes et règlements en vigueur.

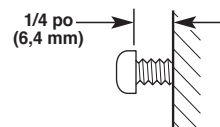
INSTRUCTIONS D'INSTALLATION

Préparation de l'emplacement

- Il est recommandé que l'installation du circuit d'évacuation soit réalisée avant celle de la hotte.
- Avant d'effectuer des coupes, s'assurer que l'espace est suffisant sur le mur ou le plafond pour le conduit d'évacuation.
- La hotte doit être installée à 24 po (61,0 cm) minimum des surfaces de cuisson électriques ou 30 po (76,2 cm) minimum des surfaces de cuisson au gaz, et à un maximum suggéré de 36 po (91,4 cm) au-dessus de la surface de cuisson.
- Avant de sélectionner la hotte à installer, mesurer la hauteur libre sous plafond et la hauteur maximum disponible sous la hotte.

1. Débrancher l'alimentation.
2. Déterminer la méthode d'évacuation à utiliser : évacuation par le plafond ou par le mur.
3. Choisir une surface plane pour l'assemblage de la hotte. Placer le matériau de protection sur cette surface.

3. Percer des avant-trous de 3/32 po (2,4 mm) pour une installation dans du bois. Les vis fournies pour le montage de cette hotte doivent être fixées dans du bois massif. Ne pas fixer uniquement dans du Placoplâtre.
IMPORTANT : Toutes les vis doivent être vissées dans du bois. Si l'on ne peut pas visser la vis dans du bois, des tasseaux supplémentaires pour accrochage mural seront peut-être nécessaires.
4. Installer les vis de montage de 5 x 45 mm. Laisser un espace de 1/4 po (6,4 mm) entre le mur et l'arrière de la tête de vis pour faire glisser la hotte et la mettre en place.



5. Retirer le gabarit.

AVERTISSEMENT

Risque du poids excessif

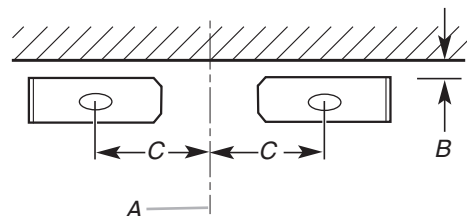
Utiliser deux ou plus de personnes pour déplacer et installer la hotte de la cuisinière.

Le non-respect de cette instruction peut causer une blessure au dos ou d'autre blessure.

4. À l'aide de deux personnes ou plus, soulever la hotte et la poser sur la surface couverte.

Installation de la bride de support de la cheminée

1. Placer deux des brides de la cheminée contre le mur pour que leur bord supérieur se trouve à 1/16 po (2 mm) du plafond ou soffite et régler l'aplomb. Marquer les trous.

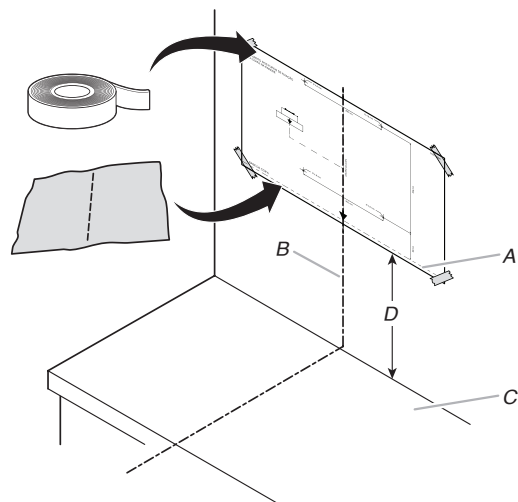


- A. Ligne de montage verticale
- B. 1/16 po (1,6 mm)
- C. 10 9/16 po (26,9 cm)

2. Percer des avant-trous.
 - Si le matériau d'ancrage est du bois, percer quatre avant-trous de 3/32 po (2,4 mm).
3. Fixer chaque bride sur le mur avec une vis d'assemblage 4,2 x 9,5 cm. Bien serrer les vis.

Installation des vis de montage de la hotte

1. Déterminer et marquer la position de l'axe central sur le mur où la hotte sera installée.
2. En fonction de la hauteur sous plafond ou soffite, déterminer la distance « X » 24 po (61 cm) minimum d'une surface de cuisson électrique ou 30 po (76,2 cm) minimum d'une surface de cuisson au gaz. Un maximum de 36 po (91,4 cm) est suggéré entre le dessus de la surface de cuisson et le bas de la hotte. Coller le gabarit d'installation au mur en prenant comme référence la distance minimum avec la surface de cuisson. Comme illustré.



- A. Ligne horizontale
- B. Ligne de montage verticale
- C. Surface de cuisson
- D. Distance « X » de 24 po (61,0 cm) minimum à partir de la surface de cuisson électrique, 30 po (76,2 cm) minimum à partir de la surface de cuisson au gaz; distance maximum suggérée de 36 po (91,4 cm) + 17 1/8 po (43,5 cm)

Achever la préparation

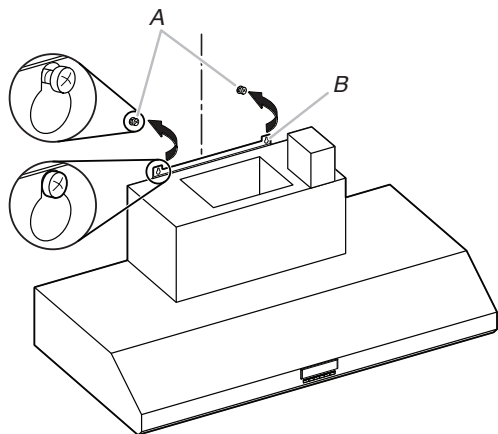
1. Déterminer et marquer toutes les lignes de découpage nécessaires sur le mur pour le passage du circuit d'évacuation. Installer le système d'évacuation avant la hotte. Voir la section « Exigences concernant l'évacuation ».
2. Déterminer l'emplacement de passage du câble d'alimentation à travers le mur. S'assurer que l'emplacement soit couvert par la cheminée de la hotte.
3. Percer un trou de 1 1/4 po (3,2 cm) à cet emplacement.
4. Tirer suffisamment de câble d'alimentation à travers le mur pour permettre un raccordement facile jusqu'à la boîte de connexion.

REMARQUE : Il est nécessaire d'acheter un moteur de ventilateur intégré ou externe (déporté) avec votre hotte.

Pour les systèmes de ventilation intégrés, il y a des pièces de montage du moteur du ventilateur dans le sachet des accessoires d'installation qui doivent être ajoutées à la hotte avant de la monter au mur. Voir la section « Installer le moteur du ventilateur intégré de la hotte » et les instructions fournies avec le moteur du ventilateur.

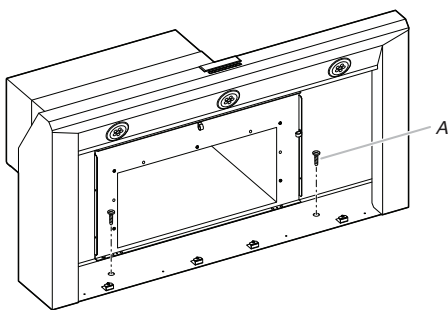
Installation de la hotte

1. À deux personnes au moins, suspendre la hotte aux deux crochets de montage, à travers les encoches de montage à l'arrière de la hotte.



A. Vis de montage
B. Encoches de montage

2. Mettre la hotte de niveau et serrer les vis de montage supérieures.
3. Installer deux vis de montage inférieures de 5 x 45 mm et serrer.



A. Vis de montage inférieures

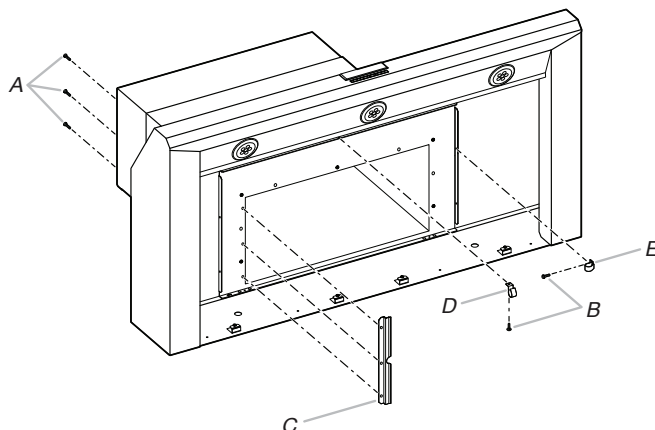
Installation du moteur du ventilateur intégré de la hotte

REMARQUE : Il est nécessaire d'acheter un moteur de ventilateur intégré ou externe (déporté) avec votre hotte.

Préparation du système de ventilation interne

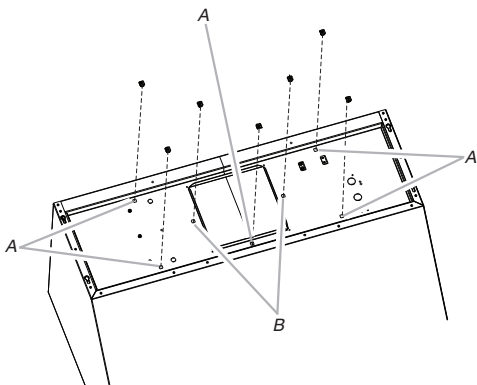
IMPORTANT : Exécuter les étapes 1 à 4 avant de monter la hotte.

1. Retirer les filtres à graisse de la hotte. Voir la section « Entretien de la hotte ».
2. Monter le support du moteur à l'aide des trois vis de 4,2 x 8 mm. Visser le support en haut à l'intérieur ou à l'arrière (autre emplacement sur certains modèles), du côté gauche de la hotte.
3. Installer la languette à ressort du moteur à l'aide des deux vis de 4,2 x 8 mm. Visser la languette à ressort en haut à l'intérieur ou à l'arrière (autre emplacement sur certains modèles) de la hotte, à l'endroit correct selon le système de moteur sélectionné. Glisser la patte de montage de la languette à ressort par la fente dans le panneau et la fixer à l'aide des vis. Utiliser les trous de montage intérieurs pour le système à un seul ventilateur. Utiliser les trous de montage extérieurs pour le système à deux ventilateurs.



A. 3 vis 4,2 x 8 mm pour le support de montage du moteur
B. 2 vis 4,2 x 8 mm pour la languette à ressort du moteur
C. Support de montage du moteur
D. Languette à ressort du moteur (emplacement pour système à un seul ventilateur)
E. Languette à ressort du moteur (emplacement pour système à deux ventilateurs)

- Fixer les écrous de 6 mm à l'extérieur de la hotte, en haut ou à l'arrière (autre emplacement sur certains modèles), à l'endroit correct selon le système de ventilation sélectionné.
 - Deux écrous de 6 mm sont nécessaires pour le système à un seul ventilateur. Emboîter les écrous dans les petites encoches carrées situées à droite et à gauche de l'ouverture d'évacuation carrée.
 - Cinq écrous de 6 mm sont nécessaires pour le système à deux ventilateurs. Emboîter les écrous dans les petites encoches carrées, l'une située à l'avant de l'ouverture d'évacuation carrée et les quatre autres à gauche et à droite de l'ouverture d'évacuation carrée.



A. Emplacement des 5 écrous à emboîter pour le système à deux ventilateurs
 B. Emplacement des 2 écrous à emboîter pour le système à un seul ventilateur

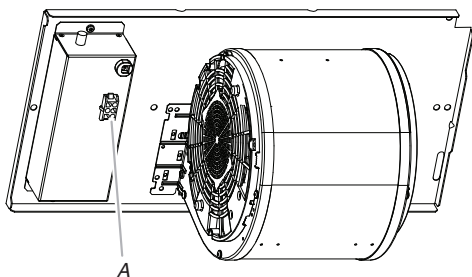
- Monter la hotte. Voir la section « Installation de la hotte ».

Installation du moteur du ventilateur intégré de la hotte

IMPORTANT : Le ventilateur doit être installé avant d'installer la hotte au mur.

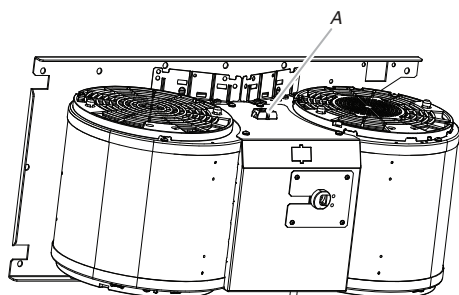
- Installer le moteur du ventilateur de la hotte à l'intérieur de l'auvent, connexion du câblage à gauche pour le système à ventilateur unique et à l'avant ou au-dessus pour le système à deux ventilateurs.

Ensemble à un seul moteur-ventilateur



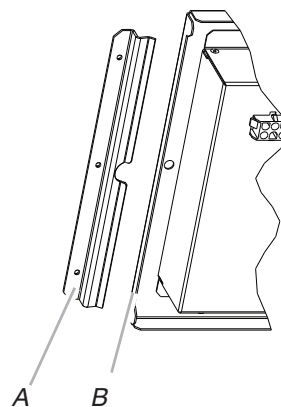
A Connexion du câblage

Ensemble à deux moteurs-ventilateurs



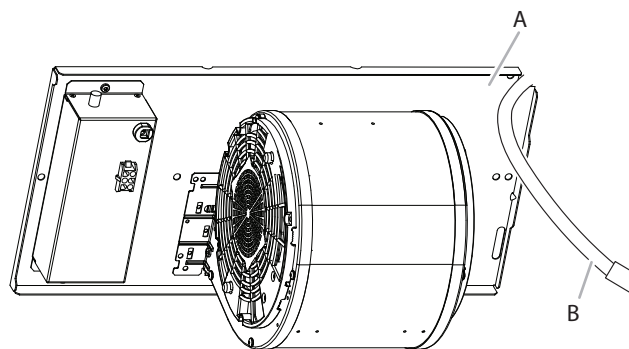
A Connexion du câblage

- Glisser le rebord gauche de la plaque de montage sous le support de montage du moteur.



A. Support de montage du moteur
 B. Rebord gauche de la plaque de montage

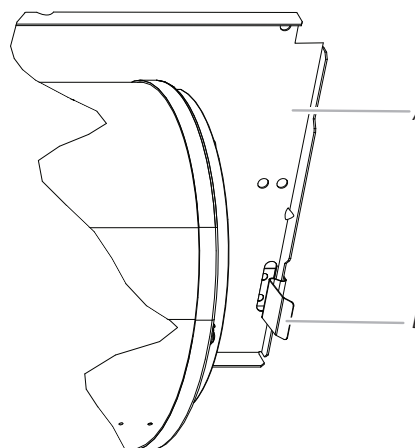
- Faire passer les câbles d'alimentation et le connecteur de la hotte par le trou de droite sur la plaque de montage du moteur.



A. Plaque de montage du moteur
 B. Câbles d'alimentation et connecteur

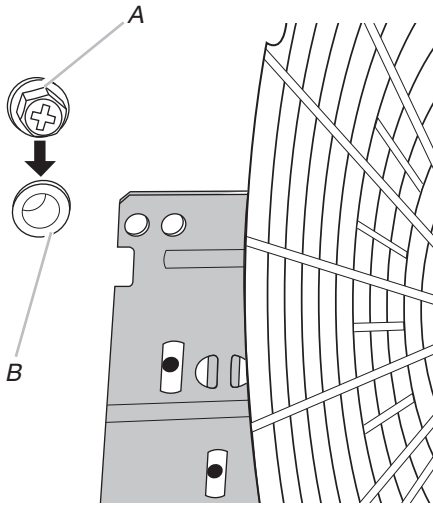
- Pousser vers le haut le côté droit de la plaque de montage du moteur et l'enclencher dans la languette à ressort.

REMARQUE : La languette à ressort doit être à l'extérieur de la fente de la plaque de montage.



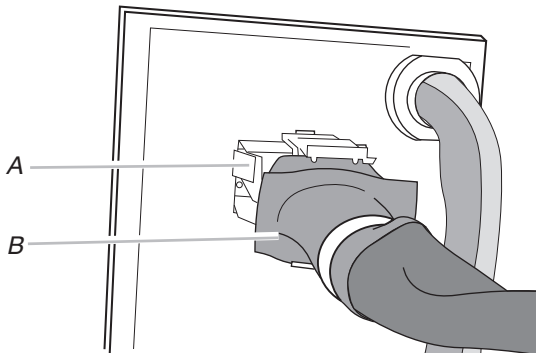
A. Plaque de montage du moteur
 B. Languette à ressort

5. Aligner les trous de montage et installer 6 vis de 16 mm et rondelles de 6,4 mm.



A. Vis avec rondelle-frein
B. Trou de montage

6. Fixer le connecteur du cordon d'alimentation de la hotte au connecteur du boîtier de connexion du moteur du ventilateur.



A. Connecteur de la boîte de câblage
B. Connecteur du cordon d'alimentation de la hotte

7. Aller à la section « Réalisation des connexions électriques de la hotte ».

Installation du moteur du ventilateur déporté (externe) de la hotte

REMARQUE : Il est nécessaire d'acheter un moteur de ventilateur intégré ou externe (déporté) avec votre hotte.

Préparation du montage du système de ventilation déporté

Le système de ventilation déporté doit être fixé à une structure sécurisée de la toiture, du plafond, mur, sol, ou une nouvelle charpente ou une charpente préexistante. Les quatre trous sur l'entrée (bas) ou la sortie (haut) du ventilateur doivent être utilisés pour monter le système de ventilation en ligne à la structure.

REMARQUE : Les emplacements des trous de montage doivent traverser les poteaux de colombage. Des pans à colombage supplémentaires pourraient s'avérer nécessaires. Il est possible d'utiliser du contre-plaqué pour couvrir les zones qui se trouvent entre les solives de plafond ou les chevrons du toit afin de faciliter l'installation. Cette structure doit être suffisamment solide pour supporter le poids du système de ventilation déporté (50 lb [22,6 kg] minimum).

Préparation du système de ventilation en ligne

⚠ AVERTISSEMENT

Risque du poids excessif

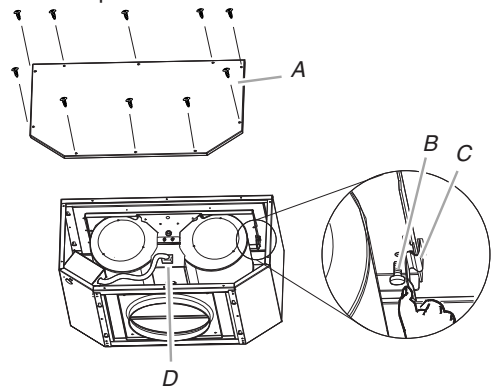
Utiliser deux ou plus de personnes pour déplacer et installer le système du moteur du ventilateur en ligne.

Le non-respect de cette instruction peut causer une blessure au dos ou d'autre blessure.

1. À l'aide d'au moins deux personnes, déplacer le système du moteur du ventilateur en ligne jusqu'à l'emplacement de montage.
2. Enlever les 10 vis du couvercle avant du carter du moteur du ventilateur déporté et les mettre de côté.
3. Enlever le couvercle avant du carter du moteur du ventilateur déporté et le mettre de côté.

REMARQUE : L'ensemble moteur-ventilateur peut être retiré pour faciliter le montage du carter du moteur du ventilateur. Si l'on ne souhaite pas retirer l'ensemble moteur-ventilateur, passer à « Installation du système de ventilation en ligne » dans cette section.

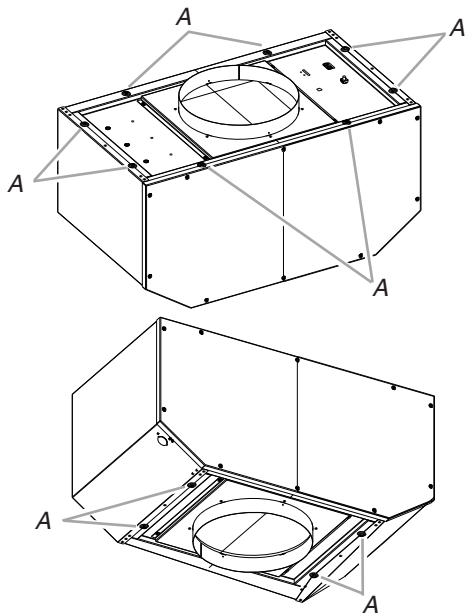
4. Débrancher la prise électrique du moteur de l'ensemble moteur-ventilateur.
5. Enlever les vis qui fixent l'ensemble moteur-ventilateur au carter du ventilateur déporté et les mettre de côté.
6. Tirer sur la languette à ressort pour dégager l'ensemble moteur-ventilateur. Retirer l'ensemble moteur-ventilateur du carter et le placer sur une surface couverte.



A. Couvercle avant
B. Vis de montage du ventilateur
C. Languette à ressort
D. Prise électrique du moteur

Installation du système de ventilation déporté

REMARQUE : Le carter du moteur du ventilateur peut être monté en utilisant quatre trous situés à l'entrée ou à la sortie du ventilateur.

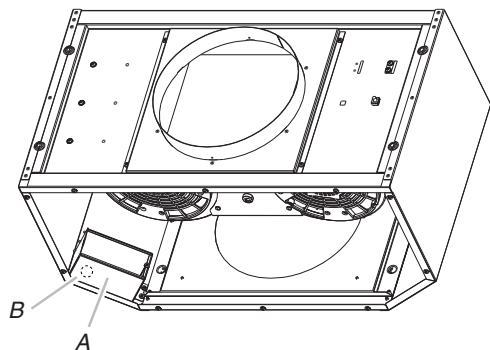


A. Trous de montage

1. Positionner le carter du système de ventilation déporté dans son emplacement de montage et marquer l'emplacement des quatre trous de montage.
2. Percer quatre avant-trous de montage en utilisant le foret de 3/16 po (4,8 mm).
3. Fixer le carter du moteur du ventilateur déporté à l'emplacement de montage avec quatre vis de montage et rondelles 6 x 80 mm.
4. Réinstaller l'ensemble moteur-ventilateur s'il a été enlevé et le fixer avec les vis enlevées précédemment.
5. Rebrancher le cordon de la fiche électrique du moteur au connecteur de l'ensemble moteur-ventilateur s'il a été enlevé.

Achever la préparation

1. Déterminer et marquer l'emplacement de toutes les lignes de découpage nécessaires pour le passage du circuit d'évacuation.
IMPORTANT : Lors des opérations de découpage et de perçage dans un mur ou un plafond, veiller à ne pas endommager les câblages électriques ou canalisations qui peuvent s'y trouver.
2. Déterminer l'emplacement de passage du conduit de câblage de 1/2 po (1,3 cm) à travers le plafond ou le mur entre le ventilateur en ligne et la hotte.
3. Percer un trou de 1 1/4 po (3,2 cm) à cet emplacement.
4. Localiser les boîtiers de connexion dans le carter du ventilateur intégré et la hotte. Retirer les couvercles du boîtier de connexion et les mettre de côté avec les vis.



A. Boîtier de connexion
B. Opercule arrachable

5. Retirer l'opercule arrachable du carter du ventilateur intégré et de la hotte afin de préparer l'installation du conduit de câblage de 1/2 po (1,3 cm) et de son connecteur (homologation UL ou CSA).
6. La hotte étant montée (voir la section « Instructions d'installation de la hotte »), acheminer le conduit de câblage de 1/2 po (1,3 cm) entre le carter du moteur du ventilateur déporté et la hotte. Tirer suffisamment de conduit de câblage de 1/2 po (1,3 cm) pour permettre un raccordement facile au boîtier de connexion du carter du ventilateur déporté et celui de la hotte.
7. Faire passer les six conducteurs de calibre 18 AWG à travers le conduit de câblage de 1/2 po (1,3 cm) et les connecteurs de conduit et dans le boîtier de connexion du carter du ventilateur déporté et celui de la hotte. Laisser suffisamment de longueur de câble dans chaque boîtier de connexion afin de réaliser les connexions de câblage.
8. Installer les connecteurs du conduit et le conduit dans le boîtier de connexion du ventilateur déporté et celui de la hotte.
9. Raccorder le système d'évacuation à la hotte et au système de ventilation en ligne et sceller tous les joints avec des brides.

Réalisation des connexions électriques du système du moteur du ventilateur en ligne

⚠ AVERTISSEMENT



Risque de choc électrique

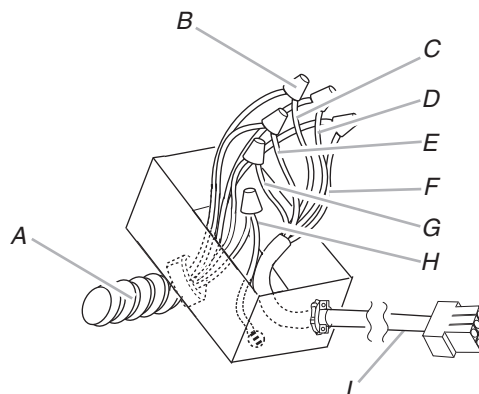
Déconnecter la source de courant électrique avant l'entretien.

Replacer pièces et panneaux avant de faire la remise en marche.

Le non-respect de ces instructions peut causer un décès ou un choc électrique.

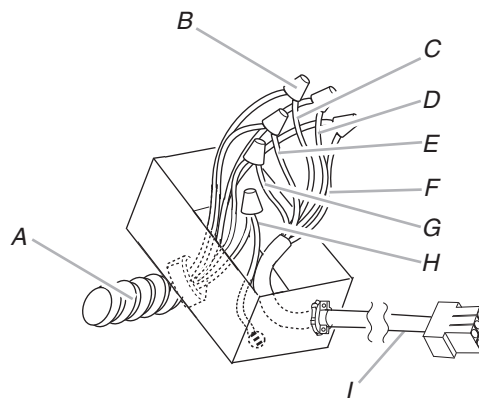
Connexion électrique à l'intérieur du système du ventilateur déporté

1. Débrancher l'alimentation.
2. Connecter les fils du conduit de câblage aux fils de la fiche électrique du moteur qui se trouve à l'intérieur du boîtier de connexion du carter du ventilateur déporté.



- | | |
|--|---|
| A. Conduit de câblage de 1/2 po (1,3 cm) homologué UL ou CSA | F. Conducteurs bleus |
| B. Capuchons de connexion homologué UL | G. Conducteurs gris |
| C. Conducteurs noirs | H. Conducteurs vert (ou jaune/vert) et vert/jaune |
| D. Conducteurs blancs | I. Câble de la fiche électrique du moteur |
| E. Conducteurs rouges | |

3. Connecter ensemble les conducteurs noirs (C) à l'aide de connecteurs de fils (homologation UL).
4. Connecter ensemble les conducteurs blancs (D) à l'aide de connecteurs de fils (homologation UL).
5. Connecter ensemble les conducteurs rouges (E) à l'aide de connecteurs de fils (homologation UL).
6. Connecter ensemble les conducteurs bleus (F) à l'aide de connecteurs de fils (homologation UL).
7. Connecter ensemble les conducteurs gris (G) à l'aide de connecteurs de fils (homologation UL).



- | | |
|--|---|
| A. Conduit de câblage de 1/2 po (1,3 cm) homologué UL ou CSA | F. Conducteurs bleus |
| B. Capuchons de connexion homologué UL | G. Conducteurs gris |
| C. Conducteurs noirs | H. Conducteurs vert (ou jaune/vert) et vert/jaune |
| D. Conducteurs blancs | I. Câble de la fiche électrique du moteur |
| E. Conducteurs rouges | |
7. Aller à la section « Réalisation des connexions de l'alimentation électrique à la hotte ».

⚠ AVERTISSEMENT



Risque de choc électrique

Relier le ventilateur à la terre.

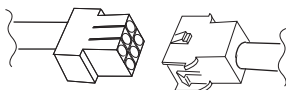
Brancher le fil relié à la terre au fil vert et jaune relié à la terre dans la boîte de la borne.

Le non-respect de ces instructions peut causer un décès ou un choc électrique.

8. Connecter le conducteur vert (ou jaune-vert) de liaison à la terre avec le conducteur vert/jaune (H) de liaison à la terre du boîtier de connexion avec les connecteurs de fils (homologation UL).
9. Réinstaller le couvercle et les vis du boîtier de connexion du ventilateur déporté.
10. Réinstaller le couvercle avant du carter du ventilateur déporté et le fixer avec 10 vis de montage.

Connexion électrique à l'intérieur de la hotte entre le système du ventilateur déporté et la hotte

1. Une fois la hotte montée (voir la section « instructions d'installation de la hotte »), rechercher le connecteur du câble à l'intérieur.
2. Connecter l'ensemble de connexion à 6 fils fourni avec le système du moteur du ventilateur en ligne au connecteur du câble correspondant de la hotte.



3. Trouver le boîtier de connexion à l'intérieur de la hotte et installer un serre-câbles 1/2 po (1,3 cm) homologué UL ou CSA (voir le point « Préparation complète » dans la section « Préparer l'emplacement »).
4. Acheminer les extrémités des fils à parti de l'ensemble de connexion à 6 fils à travers le serre-câbles 1/2 po (1,3 cm), en laissant suffisamment de longueur pour effectuer les connexions de câblage. Serrer les vis du serre-câbles.
5. Connecter les fils de l'ensemble de connexion à six fils aux fils du conduit de câblage qui se trouve à l'intérieur du boîtier de connexion de la hotte.
6. Connecter les conducteurs de même couleur entre eux (noir à noir, blanc à blanc, etc.) en utilisant des connecteurs de fils (homologation UL).

REMARQUE : Connecter le conducteur vert (ou vert/jaune) de liaison à la terre du conduit de câblage au conducteur vert (ou nu) de mise à la terre du câble d'alimentation du domicile à l'aide de connecteurs de fils homologués UL (voir la section « Réalisation de la connexion de l'alimentation électrique à la hotte »).

Connexion de l'alimentation électrique à la hotte

⚠ AVERTISSEMENT



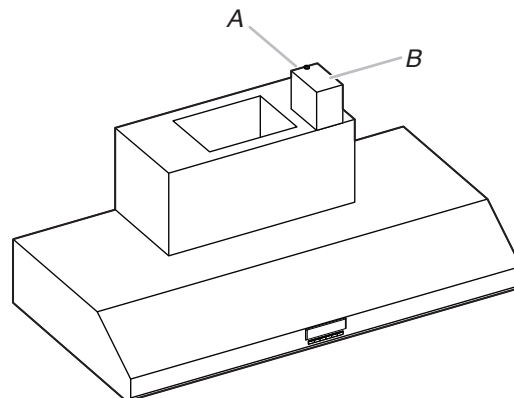
Risque de choc électrique

Déconnecter la source de courant électrique avant l'entretien.

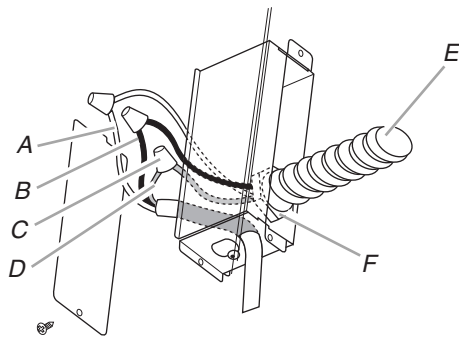
Replacer pièces et panneaux avant de faire la remise en marche.

Le non-respect de ces instructions peut causer un décès ou un choc électrique.

1. Débrancher l'alimentation.
2. Localiser le boîtier de connexion au-dessus de la hotte.



- A. Opercule arrachable à l'arrière du boîtier de connexion
B. Haut du boîtier de connexion



- | | |
|--|--|
| A. Conducteurs blancs | D. Conducteurs verts, nus ou jaune/vert |
| B. Conducteurs noirs | E. Câble d'alimentation électrique du domicile |
| C. Capuchons de connexion homologué UL | F. Serre-câbles de 1/2 po (1,3 cm) homologué UL ou CSA |

3. Connecter ensemble les conducteurs noirs (B) à l'aide de connecteurs de fils homologués UL.
4. Connecter ensemble les conducteurs blancs (A) à l'aide de connecteurs de fils (homologation UL).

⚠ AVERTISSEMENT



Risque de choc électrique

Relier le ventilateur à la terre.

Brancher le fil relié à la terre au fil vert et jaune relié à la terre dans la boîte de la borne.

Le non-respect de ces instructions peut causer un décès ou un choc électrique.

REMARQUE : Lors de l'utilisation du système du moteur du ventilateur déporté, le conducteur vert (ou vert/jaune) de liaison à la terre du conduit de câblage du système du moteur du ventilateur déporté doit être connecté au conducteur vert (ou nu) du câble d'alimentation du domicile et au conducteur vert/jaune (D) du boîtier de connexion.

5. À l'aide des connecteurs de fils (homologation UL), connecter le conducteur de liaison à la terre (vert ou nu) du câble d'alimentation du domicile au conducteur vert/jaune de liaison à la terre (D) dans le boîtier de connexion.
6. Installer le couvercle du boîtier de connexion.
7. Vérifier que toutes les ampoules d'éclairage sont bien fixées dans leur douille.
8. Rebrancher l'alimentation.

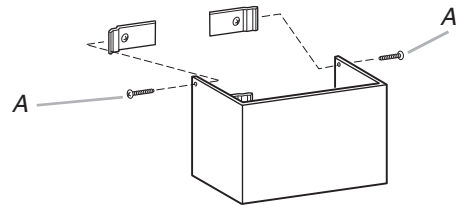
Installer les cache-cheminée

Raccorder le système d'évacuation et sceller toutes les connexions avec des brides.

Installation de la section supérieure du cache-cheminée

1. Écarter légèrement les côtés du cache-cheminée l'un de l'autre et les fixer derrière les brides de montage de la cheminée.
2. Fixer le cache-cheminée aux brides avec 2 - 4,2 x 8 mm vis.

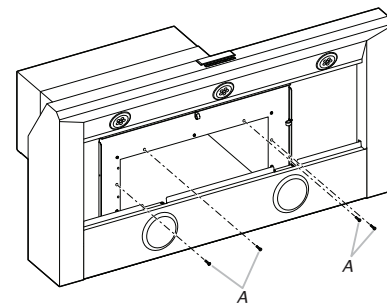
3. Bien serrer les vis.



A. Deux vis à tête plate

Installation de la section inférieure du cache-cheminée

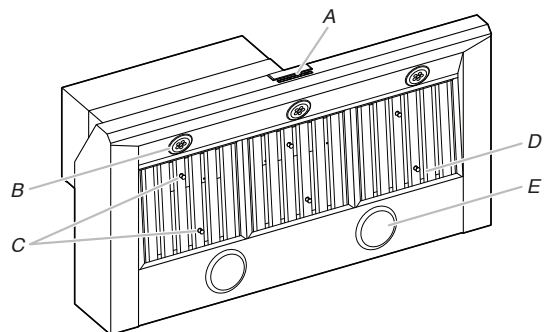
1. Écarter légèrement les côtés du cache-cheminée l'un de l'autre et les fixer derrière la section supérieure de la cheminée.
2. Utiliser les 4 vis de 4,2 x 8 mm pour fixer la section inférieure du cache-cheminée sur le corps de la hotte.
3. Bien serrer les vis.



A. Des vis

Achever l'installation et vérifier le fonctionnement

1. Installer les filtres à graisse. Voir la section « Entretien de la hotte ».
2. Contrôler le fonctionnement du ventilateur de la hotte et des lampes. Voir la section « Utilisation de la hotte ».



- | | |
|--|--------------------------------|
| A. Commutateurs de commande du ventilateur | D. Filtre à graisse |
| B. Lampes à DEL | E. Lampes à rayons infrarouges |
| C. Poignées du filtre à graisse | |

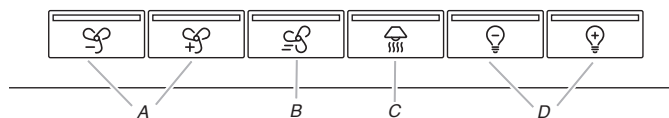
3. Si la hotte ne fonctionne pas, vérifier si un disjoncteur s'est ouvert ou si un fusible du domicile est grillé. Déconnecter la source de courant électrique du circuit et vérifier que le câblage est correct.

REMARQUE : Pour pouvoir tirer le plus grand parti de la nouvelle hotte de cuisinière, lire la section « Utilisation de la hotte ».

UTILISATION DE LA HOTTE

La hotte de cuisinière est conçue pour extraire fumée, vapeurs de cuisson et odeurs de la zone de la table de cuisson. Pour des résultats optimaux, mettre la hotte en marche avant d'entreprendre une cuisson, et la laisser fonctionner pendant plusieurs minutes après une cuisson afin d'évacuer toute odeur de cuisson et fumée de la cuisine.

Les commandes de la hotte sont situées sous la hotte.



- A. Commande de vitesse du ventilateur
- B. Commande du niveau Boost (élevé)
- C. Lampes à rayons infrarouges
- D. Commande d'intensité de l'éclairage

Commandes de la hotte

Fonctionnement de l'éclairage

- Appuyer sur le bouton de commande d'éclairage (C) pour le mettre en marche et gérer les réglages d'éclairage.
- Pour sélectionner une moins grande intensité, appuyer sur le bouton de commande de l'éclairage de gauche jusqu'à atteindre le réglage souhaité. Pour l'augmenter, appuyer sur le bouton de droite.

Fonctionnement du ventilateur

- Appuyer sur les boutons de commande de la vitesse (A) pour le mettre en marche et gérer les réglages du ventilateur.
- Pour augmenter la vitesse du ventilateur pendant 5 minutes, appuyez sur le bouton Boost (niveau élevé) (B) du ventilateur. Après les 5 minutes, le ventilateur revient à la vitesse sélectionnée précédemment.

Mise en marche automatique du ventilateur

La hotte est munie d'un capteur qui met le ventilateur automatiquement en marche lorsqu'un niveau de chaleur excessif est détecté. Au besoin le capteur mettra en marche le réglage Boost (niveau élevé), et lorsque la chaleur aura diminué, le ventilateur s'éteindra automatiquement.

Réglage du ventilateur

Le ventilateur comporte trois commandes de vitesse. Placer le commutateur de vitesse du ventilateur à la position « 1 » pour la vitesse faible, à la position « 2 » pour la vitesse moyenne ou à la position « 3 » pour la vitesse élevée.

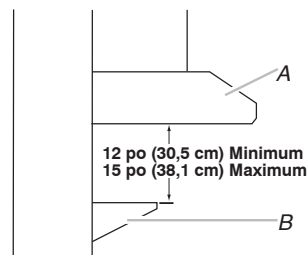
Dispositif de protection thermique

La hotte est équipée d'un dispositif de protection thermique permettant d'éviter les conditions de surchauffe. Si la hotte s'éteint en cours d'utilisation, appuyer sur le bouton OFF (arrêt) pour éteindre la hotte. Attendre environ 60 minutes puis appuyer sur le bouton ON (marche) pour remettre la hotte en marche.

Utilisation de la lampe à rayons infrarouges

Les lampes chauffantes sont conçues pour maintenir les aliments au chaud avant de servir. La surface de la table de cuisson est trop éloignée de la lampe chauffante pour être utilisée comme tablette.

Pour de meilleurs résultats, installer une tablette métallique pour conserver les aliments plus près des lampes. La distance optimale entre la tablette et la hotte est comprise entre 12 po (30,5 cm) et 15 po (38,1 cm).



- A. Hotte
- B. Tablette métallique

Pour un rendement optimal, les aliments doivent être placés directement sous les lampes chauffantes, et non entre elles. L'utilisateur devra peut-être modifier la répartition des aliments pour répondre à ses besoins spécifiques.

- Installer des ampoules de lampes à rayons infrarouges dans les douilles de lampes à rayons infrarouges.

REMARQUE : Les ampoules pour lampes chauffantes doivent avoir une intensité nominale maximale de 175 W chacune. Pour un meilleur rendement, on recommande des ampoules pour lampe à rayons infrarouges de 175 W maximum et de type PAR38. Le rendement varie selon les ampoules. Des ampoules transparentes ou de puissance inférieure réduisent le rendement.

⚠ AVERTISSEMENT

Risque d'empoisonnement alimentaire

Ne pas laisser des aliments reposer plus d'une heure avant ou après la cuisson.

Le non-respect de cette instruction peut causer un empoisonnement alimentaire ou une maladie.

- Pour allumer les lampes chauffantes, déplacer le commutateur à la position « I ». Pour éteindre les lampes chauffantes, déplacer le commutateur à la position « O ».

ENTRETIEN DE LA HOTTE

Nettoyage

IMPORTANT : Nettoyer fréquemment la hotte et les filtres à graisse en suivant les instructions suivantes. Réinstaller les filtres à graisse avant de faire fonctionner la hotte.

Surfaces externes :

Afin d'éviter d'endommager la surface externe, ne pas utiliser de tampons en laine d'acier ou de tampons à récurer savonneux.

Toujours essuyer pour éviter de laisser des marques d'eau.

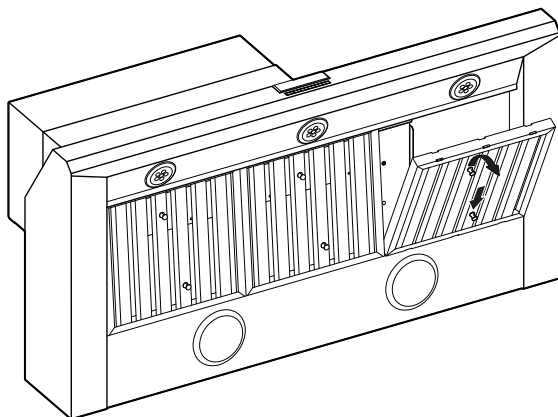
Méthode de nettoyage :

- Savon détergent liquide et eau, ou nettoyant tout usage.
- Frotter avec un chiffon doux humide ou une éponge non abrasive, puis rincer avec de l'eau propre et essuyer.

Filtre à graisse métallique

Retrait des filtres à graisse métalliques ;

1. Employer les deux mains pour retirer les filtres. Saisir les poignées du filtre, tirer vers l'arrière de la hotte et tirer sur la poignée avant pour retirer le filtre.



2. Répéter pour chaque filtre à graisse.
3. Les filtres à graisse devraient être nettoyés en utilisant de l'eau chaude, du détergent pour lave-vaisselle et une brosse non abrasive. Le lavage au lave-vaisselle n'est pas recommandé.

Réinstallation des filtres à graisse métalliques :

1. Saisir les poignées du filtre et insérer l'arrière du filtre dans la rainure arrière.
2. Tirer sur la poignée arrière et insérer le devant du filtre à graisse dans la rainure avant et bien fixer.
3. Répéter pour chaque filtre.

Remplacement d'une lampe à rayons infrarouges

Cette hotte de cuisinière utilise des lampes à rayons infrarouges de 175 W maximum. Éteindre les lampes à rayons infrarouges et les laisser refroidir.

Remplacer :

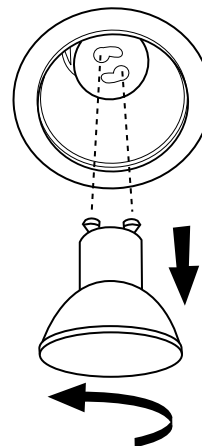
1. Débrancher l'alimentation.
2. Retirer l'ampoule de la lampe à rayons infrarouges de sa douille.
3. Remplacer l'ampoule de la lampe à rayons infrarouges par une ampoule de même type et la serrer dans la douille.
4. Répéter les étapes 2 et 3 avec l'ampoule de l'autre lampe à rayons infrarouges si nécessaire.
5. Reconnecter la source de courant électrique.

Remplacer une lampe DEL

Interrompre l'alimentation de la hotte; attendre le refroidissement de la lampe à DEL. Pour éviter d'endommager ou de réduire la longévité de l'ampoule neuve, ne pas toucher l'ampoule avec les doigts nus. Remplacer l'ampoule en la manipulant avec un mouchoir de papier ou des gants de coton.

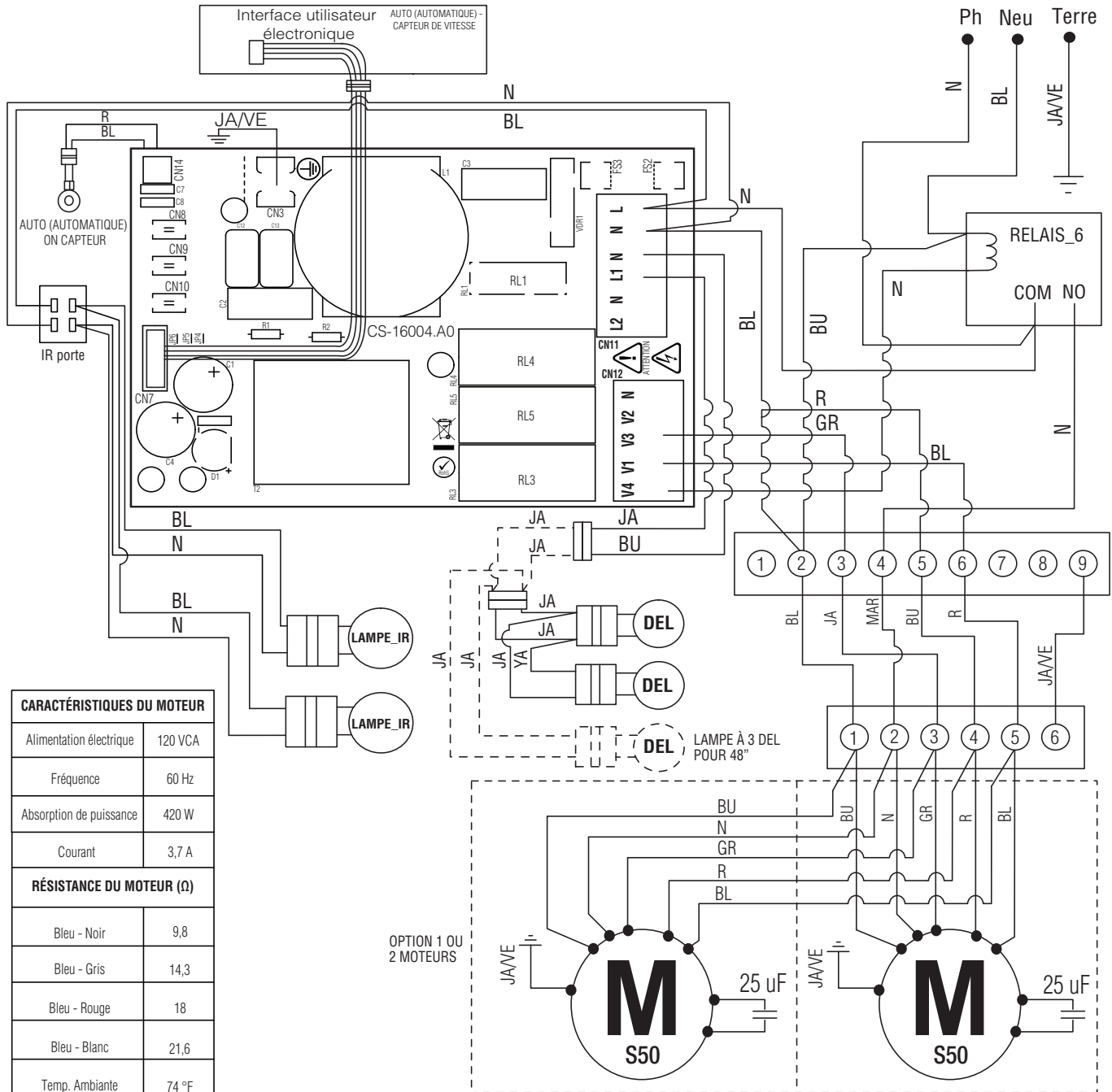
Si les nouvelles lampes ne fonctionnent pas, vérifier que chaque ampoule est correctement insérée dans sa douille avant de demander l'intervention d'un réparateur.

1. Débrancher l'alimentation.
2. Pousser la plaque de verre vers le haut et la tourner dans le sens antihoraire.



3. Retirer l'ampoule et la remplacer par une ampoule halogène de 120 V, 6,5 W maximum, avec culot GU10. La tourner dans le sens horaire pour l'emboîter.
4. Répéter les étapes 2 et 3 pour l'autre ampoule, si nécessaire.
5. Rebrancher l'alimentation.

SCHÉMA DE CÂBLAGE



| CARACTÉRISTIQUES DU MOTEUR | |
|----------------------------|---------|
| Alimentation électrique | 120 VCA |
| Fréquence | 60 Hz |
| Absorption de puissance | 420 W |
| Courant | 3,7 A |
| RÉSISTANCE DU MOTEUR (Ω) | |
| Bleu - Noir | 9,8 |
| Bleu - Gris | 14,3 |
| Bleu - Rouge | 18 |
| Bleu - Blanc | 21,6 |
| Temp. Ambiante | 74 °F |

OPTION 1 OU 2 MOTEURS

ASSISTANCE OU DÉPANNAGE

Avant d'appeler pour de l'assistance ou du dépannage, avoir à portée de la main la date d'achat et les numéros de modèle et de série complets de l'appareil. Ces renseignements nous aideront à mieux répondre à votre demande.

Si vous avez besoin de pièces de rechange

Pour commander des pièces de rechange, nous vous recommandons d'utiliser seulement des pièces spécifiées par l'usine. Les pièces spécifiées par l'usine conviendront et fonctionneront bien, car elles sont fabriquées selon la même précision que celle utilisée pour fabriquer chaque nouvel appareil. Pour savoir où trouver des pièces de rechange spécifiées par l'usine dans votre région, appelez-nous ou communiquez avec le centre de service désigné le plus proche.

Aux É.-U.

Téléphonez sans frais au Centre pour l'eXpérience de la clientèle KitchenAid au : **1 800 422-1230**.

Nos conseillers peuvent vous aider sur les points suivants :

- Caractéristiques et spécifications de notre gamme complète d'appareils ménagers.
- Consultez le revendeur local d'appareils KitchenAid.
- Renseignements sur l'installation.
- Procédures d'utilisation et d'entretien.
- Vente d'accessoires et de pièces de rechange.
- Assistance spécialisée au client (langue espagnole, malentendants, malvoyants, etc.).
- Les références aux concessionnaires, compagnies de service de réparation et distributeurs de pièces de rechange locaux. Les techniciens de service désignés par KitchenAid sont formés pour remplir la garantie des produits et fournir un service après garantie partout aux États-Unis. Pour localiser la compagnie de service désignée par KitchenAid dans votre région, vous pouvez également consulter les Pages jaunes.

Pour plus d'assistance

Si vous avez besoin de plus d'assistance, vous pouvez écrire à KitchenAid en soumettant toute question ou problème à :

KitchenAid Brand Home Appliances
Customer eXperience Center
553 Benson Road
Benton Harbor, MI 49022-2692

Veuillez indiquer dans votre correspondance un numéro de téléphone où l'on peut vous joindre dans la journée.

Au Canada

Téléphonez sans frais au Centre d'expérience de la clientèle de KitchenAid Canada au : **1 800 807-6777**.

Nos conseillers peuvent vous aider sur les points suivants :

- Caractéristiques et spécifications de notre gamme complète d'appareils ménagers.
- Procédures d'utilisation et d'entretien.
- Vente d'accessoires et de pièces de rechange.
- Les références aux concessionnaires, compagnies de service de réparation et distributeurs de pièces de rechange locaux. Les techniciens de service désignés par KitchenAid Canada sont formés pour remplir la garantie des produits et fournir un service après la garantie partout au Canada.

Pour plus d'assistance

Si vous avez besoin de plus d'assistance, vous pouvez écrire à KitchenAid Canada en soumettant toute question ou tout problème à :

Customer eXperience Centre
KitchenAid Canada
200 – 6750 Century Ave.
Mississauga (Ontario) L5N 0B7

Veuillez indiquer dans votre correspondance un numéro de téléphone où l'on peut vous joindre dans la journée.

SEGURIDAD DE LA CAMPANA DE ESTUFA

Su seguridad y la seguridad de los demás es muy importante.

Hemos incluido muchos mensajes importantes de seguridad en este manual y en su electrodoméstico. Lea y obedezca siempre todos los mensajes de seguridad.



Este es el símbolo de alerta de seguridad.

Este símbolo le llama la atención sobre peligros potenciales que pueden ocasionar la muerte o una lesión a usted y a los demás.

Todos los mensajes de seguridad irán a continuación del símbolo de advertencia de seguridad y de la palabra "PELIGRO" o "ADVERTENCIA". Estas palabras significan:

 **PELIGRO**

Si no sigue las instrucciones de inmediato, usted puede morir o sufrir una lesión grave.

 **ADVERTENCIA**

Si no sigue las instrucciones, usted puede morir o sufrir una lesión grave.

Todos los mensajes de seguridad le dirán el peligro potencial, le dirán cómo reducir las posibilidades de sufrir una lesión y lo que puede suceder si no se siguen las instrucciones.

INSTRUCCIONES IMPORTANTES DE SEGURIDAD

ADVERTENCIA: PARA REDUCIR EL RIESGO DE INCENDIOS, CHOQUE ELÉCTRICO O LESIONES PERSONALES, OBSERVE LO SIGUIENTE:

- Use esta unidad sólo para lo que fue diseñada por el fabricante. Si tiene preguntas, póngase en contacto con el fabricante.
- Antes de reparar o limpiar esta unidad, apague el suministro de energía en el panel de servicio, y bloquee los medios de desconexión del servicio para evitar que se encienda accidentalmente el suministro de energía. Cuando el medio de desconexión del servicio no se pueda bloquear, sujete de manera segura un dispositivo de advertencia prominente, como una etiqueta, al panel de servicio.
- El trabajo de instalación y cableado se debe llevar a cabo por una o más personas calificadas, en conformidad con todos los códigos y estándares aplicables, incluyendo construcciones clasificadas como resistentes al fuego.
- No opere ningún ventilador que tenga un cable o enchufe dañado. Deshágase del ventilador o devuélvalo a un lugar de servicio autorizado para que sea examinado y/o reparado.
- Es necesario que haya suficiente aire para la adecuada combustión y ventilación de gases a través del conducto (la chimenea) del equipo que consume combustible, para evitar que ocurra un contratiro. Siga la guía y los estándares de seguridad del fabricante del equipo de calefacción, como son aquéllos publicados por National Fire Protection Association (NFPA) (Asociación nacional de protección contra incendios) y American Society for Heating, Refrigeration and Air Conditioning Engineers (ASHRAE) (Sociedad estadounidense para ingenieros en calefacción, refrigeración y acondicionamiento de aire) y las autoridades de códigos locales.
- Cuando corte o taladre en una pared o techo; no dañe el cableado eléctrico ni otros servicios públicos ocultos.
- Los ventiladores con conductos siempre deben dar salida al aire hacia el exterior.

CUIDADO: Para usarse solamente en ventilación general. No lo utilice para ventilar materiales y vapores peligrosos o explosivos.

CUIDADO: Para reducir el riesgo de incendio y para ventilar el aire adecuadamente, asegúrese de dirigir el aire hacia el exterior - No ventile el aire de salida a espacios dentro de paredes o techos, desvanes, espacios angostos o garajes.

PRECAUCIÓN: Las partes accesibles pueden calentarse cuando se utilizan los aparatos de cocción.

ADVERTENCIA: PARA REDUCIR EL RIESGO DE INCENDIO, SÓLO USE CONDUCTOS METÁLICOS.

ADVERTENCIA: LOS NIÑOS DEBEN SUPERVISARSE PARA ASEGURAR QUE ELLOS NO EMPLEEN LOS APARATOS COMO JUGUETE.

ADVERTENCIA: PARA REDUCIR EL RIESGO DE INCENDIO PROVOCADO POR GRASA EN LA SUPERFICIE DE LA COCINA:

- Nunca deje las unidades sobre la superficie sin vigilancia cuando estén a altas temperaturas. Los derrames por hervor causan salpicaduras grasosas y humeantes, las cuales pueden inflamarse. Caliente los aceites lentamente y a temperatura baja o media.
- La mala colocación de los tornillos o artefactos de montaje o sujeción de acuerdo a estas instrucciones puede traer consigo peligros eléctricos.
- Limpie los ventiladores con frecuencia. No permita que se acumule la grasa en el ventilador o en el filtro.
- Use un tamaño adecuado de sartén. Siempre use utensilios de cocción que sean los adecuados para el tamaño del elemento de la superficie.

ADVERTENCIA: PARA REDUCIR EL RIESGO DE LESIONES PERSONALES SI SE PRENDE FUEGO EN LA COCINA OCASIONADO POR GRASA, OBSERVE LO SIGUIENTE^a:

- REDUZCA LAS LLAMAS con una tapa que encaje muy bien, una bandeja para galletas o una bandeja metálica, y luego apague el quemador. TENGA CUIDADO PARA EVITAR QUEMADURAS. Si las llamas no se extinguen de inmediato, EVACUE Y LLAME AL DEPARTAMENTO DE BOMBEROS.
- NUNCA AGARRE UNA SARTÉN QUE ESTÉ EN LLAMAS - podría quemarse.
- NO UTILICE AGUA, incluidos paños para vajilla o toallas mojadas - podría ocurrir una explosión de vapor violenta.
- SÓLO use un extinguidor si:
 - Sabe a ciencia cierta que tiene un extinguidor clase ABC y ya sabe cómo utilizarlo.
 - El incendio es pequeño y se encuentra contenido en el lugar en donde se inició.
 - Ha llamado al departamento de bomberos.
 - Puede combatir el fuego siempre con su espalda hacia la salida.

^aBasado en "Consejos de seguridad para incendios en la cocina", publicado por NFPA (Asociación nacional de protección contra incendios).

- **ADVERTENCIA:** A fin de reducir el riesgo de incendio o de choque eléctrico, no use este ventilador con ningún dispositivo semiconductor para el control de la velocidad.
- Este aparato no se destina para utilizarse por personas (incluyendo niños) cuyas capacidades físicas, sensoriales o mentales sean diferentes o estén reducidas, o carezcan de experiencia o conocimiento a menos que dichas personas reciban una supervisión o capacitación para el funcionamiento del aparato por una persona responsable de su seguridad.
- No flamear alimentos bajo la campana de cocina.

LEA Y GUARDE ESTAS INSTRUCCIONES

REQUISITOS DE INSTALACIÓN

Herramientas y piezas

Reúna las herramientas y las piezas necesarias antes de comenzar la instalación. Lea y siga las instrucciones provistas con cualquiera de las herramientas detalladas aquí.

NOTA: Esta campana de estufa se recomienda para usar con superficies de cocción de acuerdo con lo siguiente:

campanas de estufa de 36" (91,4 cm) o 48" (122 cm) con 1 motor (585 CFM) para combinarse con una clasificación total máxima de 90 000 BTU.

campanas de estufa de 36" (91,4 cm) o 48" (122 cm) con 2 motores (1170 CFM) para combinarse con una clasificación total máxima de 105 000 BTU.

Herramientas necesarias

- Nivel
- Taladro
- Broca de 1¹/₄" (3 cm)
- Broca de 3/32" (2,4 mm) si va a hacer una instalación sobre madera.
- Lápiz
- Pelacables o cuchillo de uso general
- Cinta de medir o regla
- Pinzas
- Pistola para calafateo y compuesto para calafateo impermeable
- Abrazaderas para ducto de ventilación
- Sierra de vaivén o sierra caladora
- Destornillador de cabeza plana
- Tijeras de hojalatero
- Destornillador Phillips
- Tijeras

Piezas necesarias

- Cable de suministro eléctrico doméstico
- Protector de cables homologado por UL o aprobado por CSA de 1/2" (1,3 cm)
- Tres conectores de cable homologados por UL
- Una cubierta para pared o techo
- Sistema de ventilación metálico
- Dos focos de lámpara de calor de 175 vatios como máximo
- Sistema de motor del soplador: interno o externo

Piezas suministradas

Saque las piezas de los paquetes. Verifique que estén todas las piezas.

- Dos filtros de metal para grasa para los modelos de 36" (91,4 cm)
Tres filtros de metal para grasa para los modelos de 48" (121,9 cm)
- Dos soportes de la cubierta de la ventilación
- Dos tornillos de 4,5 x 13 mm
- Dos tornillos de montaje de 10 x 50 mm
- Dos tornillos de montaje de 8 x 40 mm
- Dos arandelas de D5,3 x 20 mm
- Cuatro tornillos de 5 x 45 mm
- Seis tornillos de 4,2 x 8 mm
- Adaptador de T-20® TORX®†

†®TORX y T20® son marcas comerciales registradas de Acument Intellectual Properties, LLC.

Requisitos de ubicación

IMPORTANTE: Respete todos los códigos y las ordenanzas vigentes.

Haga que un técnico calificado instale la campana de estufa. Es responsabilidad del instalador cumplir con los espacios de instalación especificados en la placa que indica modelo/serie/valores nominales. La placa de clasificación de modelo/serie está ubicada dentro de la campana de estufa, en la pared posterior de la campana de estufa.

La ubicación de la campana de estufa deberá estar lejos de zonas con corrientes fuertes de aire, tales como ventanas, puertas u orificios de calefacción fuertes.

Deben usarse las dimensiones de la abertura del gabinete que se muestran. Las dimensiones proporcionadas proveen los espacios mínimos.

La campana de estufa se ha ajustado de fábrica para tener una ventilación a través del techo o la pared.

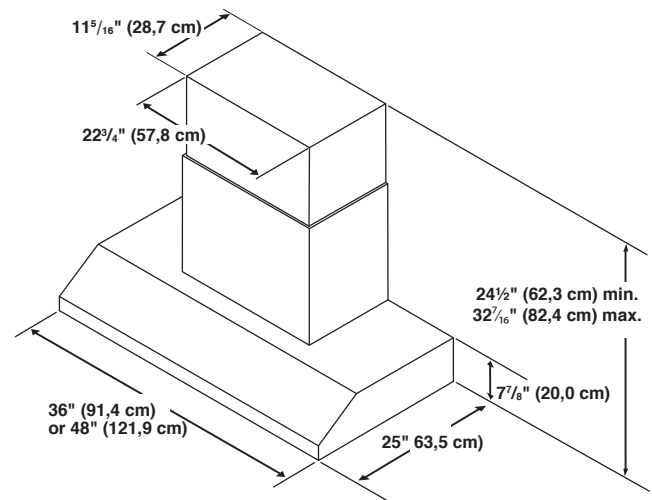
Se deben sellar todas las aberturas en el techo y la pared en donde se va a instalar la campana de estufa.

Para la instalación en casas rodantes

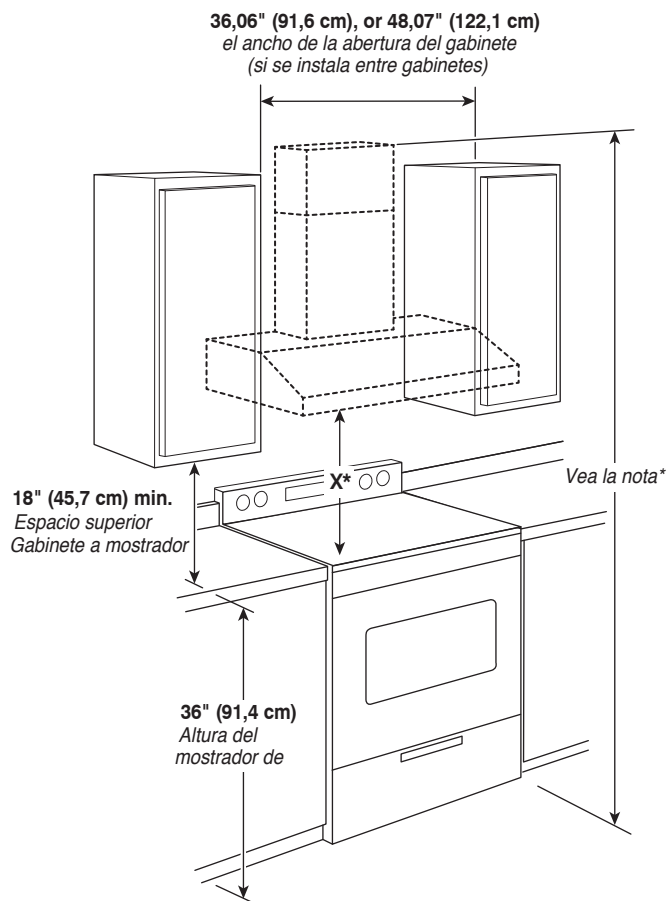
La instalación de esta campana de estufa debe ajustarse al Estándar de seguridad y construcción de casas fabricadas, Título 24 CFR, Parte 328 (anteriormente conocido como Federal Standard for Mobile Home Construction and Safety [Estándar federal para la seguridad y construcción de casas rodantes], Título 24, HUD Parte 280), o cuando dicho estándar no sea aplicable, el estándar Manufactured Home Installation (Instalación en casas fabricadas) de 1982 (Manufactured Home Sites, Communities and Setups [Obras, comunidades e instalaciones de casas fabricadas]), ANSI A225.1/NFPA 501A*, o la última edición o con los códigos locales.

Dimensiones del producto

Instalaciones con ventilación



Dimensiones de instalación



***NOTA:** Las chimeneas de la campana de estufa son ajustables y se han diseñado para varias alturas de techos o soffits, dependiendo de la distancia "X" entre la parte inferior de la campana de estufa y la superficie de cocción. Para techos más altos, un kit de extensión para chimenea se encuentra disponible con su distribuidor o un distribuidor de piezas autorizado. La extensión para chimenea reemplaza la chimenea superior que se envió con la campana de estufa. Consulte la sección "Ayuda o servicio técnico" para hacer pedidos.

IMPORTANTE:

Distancia mínima "X": 24" (61 cm) desde las superficies de cocción eléctricas

Distancia mínima "X": 30" (76,2 cm) desde las superficies de cocción a gas

Las chimeneas se pueden ajustar para techos entre 8 pies 2³/₈" (2,5 m) y 8 pies 10⁵/₁₆" (2,7 m) cuando se montan a 30" (76,2 cm) de altura por encima de la superficie de cocción a gas.

Las chimeneas se pueden ajustar para techos entre 7 pies 8³/₈" (2,4 m) y 8 pies 4⁵/₁₆" (2,55 m) cuando se montan a 24" (61 cm) de altura sobre la superficie de cocción eléctrica.

Requisitos de ventilación

- El sistema de ventilación debe terminar en el exterior.
- No dirija la salida del sistema de ventilación hacia el desván u otra área cerrada.
- No utilice una cubierta de pared de tipo para lavandería de 4" (10,2 cm).
- Utilice ducto de ventilación de metal únicamente. Se recomienda un ducto de ventilación de metal rígido. No se recomienda ducto de ventilación de plástico u hoja metálica.
- La longitud del sistema de ventilación y el número de codos se deben mantener al mínimo para proveer un funcionamiento eficaz.

Para obtener el funcionamiento más eficaz y silencioso:

- No use más de 3 codos de 90°.
- Asegúrese de que haya un mínimo de 24" (61,0 cm) de ducto de ventilación recto entre los codos si se usa más de un codo.
- No instale dos codos lado a lado.
- Use abrazaderas para sellar todas las juntas en el sistema de ventilación.
- El sistema de ventilación debe tener una compuerta. Si la cubierta del techo o la pared tiene una compuerta, no use la compuerta provista con la campana de estufa.
- Utilice masilla de calafateo para sellar la abertura exterior de la pared o el techo alrededor de la cubierta.
- El tamaño del ducto de ventilación debe ser uniforme.

Instalaciones en climas fríos

Como parte del sistema de ventilación, se deberá instalar una compuerta de contratiro adicional para minimizar el flujo de aire frío hacia atrás, y un dispositivo de interrupción térmico para reducir la conducción de las temperaturas exteriores. La compuerta deberá estar en el lado del aire frío del puente térmico.

El dispositivo de interrupción deberá estar lo más cerca posible del lugar donde el sistema de ventilación entra a la parte con calefacción de la casa.

Aire de reposición

Los códigos locales de construcción podrían requerir el uso de sistemas de aire de reposición cuando se usen sistemas de ventilación con un movimiento de aire que supere los CFM (pies cúbicos por minuto) especificados. Los pies cúbicos por minuto especificados varían de una localidad a otra.

Consulte a su profesional de calefacción, ventilación y acondicionamiento de aire (HVAC) para conocer los requisitos particulares en su zona.

Métodos de ventilación

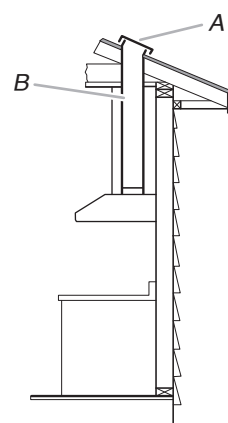
Instalaciones internas típicas de ventilación del sistema de motor del soplador

Se requiere un sistema de ventilación redondo de 10" (25,4 cm) para la instalación (no incluido). La abertura del ducto de escape de la campana de estufa es redonda, de 10" (25,4 cm).

NOTA: No se recomienda el uso de ductos de ventilación flexibles. Los ductos de ventilación flexibles crean contrapresión y turbulencia de aire, lo cual reduce en gran medida el rendimiento.

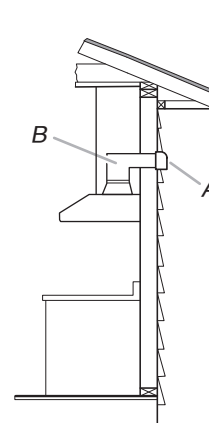
El sistema de ventilación puede terminar a través del techo o la pared. Para colocar el ducto a través de la pared, se necesita un codo de 90°.

Ventilación a través del techo



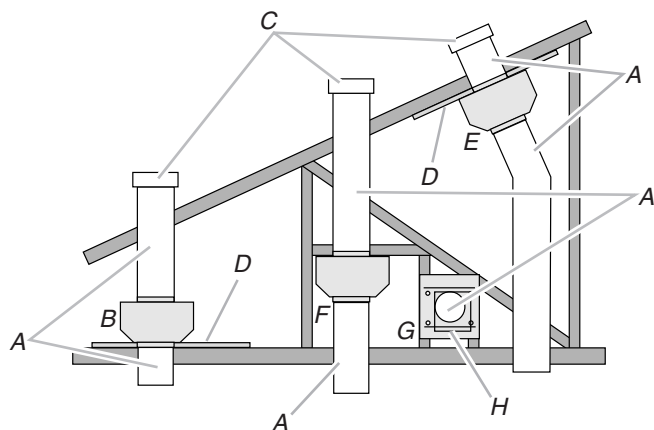
A. Cubierta para el techo
B. Ducto de ventilación redondo de 10" (25,4 cm)

Ventilación a través de la pared



A. Cubierta de la pared
B. Ducto de ventilación redondo de 10" (25,4 cm)

Instalaciones típicas de ventilación del sistema de motor del soplador en línea



- A. Ducto de ventilación redondo de 10" (25,4 cm)
- B. Montaje en las vigas del cielorraso
- C. Cubiertas para el techo
- D. Madera contrachapada (opcional en algunas instalaciones)
- E. Montaje en la parte inferior de las vigas del techo
- F. Montaje desde los travesaños conectados a las vigas
- G. Ducto horizontal, montaje a los travesaños conectados a las vigas
- H. Cubierta de la pared

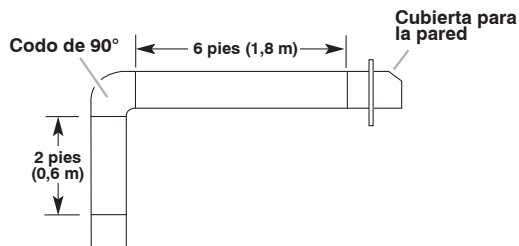
Cómo calcular la longitud del sistema de ventilación

Para calcular el largo del sistema que necesita, sume los pies (metros) equivalentes para cada porción de ducto de ventilación que se utilice en el sistema.

| Porción de ducto de ventilación | Largo equivalente |
|---------------------------------|-------------------|
| Codo de 45° | 2,5 pies (0,8 m) |
| Codo de 90° | 5,0 pies (1,5 m) |

Los largos máximos de ducto de ventilación equivalentes son:
Ventilación redonda de 10" (25,4 cm) - 60 pies (18,3 m)

Ejemplo de sistema de ventilación



El siguiente ejemplo se encuentra dentro del largo máximo recomendado para el ducto de ventilación.

| | |
|---------------------------------|---------------------|
| Un codo de 90° | = 5,0 pies (1,5 m) |
| Una cubierta de pared | = 0,0 pies (0,0 m) |
| Porción recta de 8 pies (2,4 m) | = 8,0 pies (2,4 m) |
| Largo del sistema | = 13,0 pies (3,9 m) |

Requisitos eléctricos

Respete todos los códigos y las ordenanzas vigentes.

Asegúrese de que la instalación eléctrica sea adecuada y en conformidad con el National Electrical Code (Código Nacional Eléctrico), ANSI/NFPA 70 (última edición) o las normas de CSA C22.1-94, Canadian Electrical Code (Código canadiense de electricidad), Parte 1 y C22.2 N° 0-M91 (última edición), y todos los códigos y ordenanzas locales.

Si los códigos lo permiten y se emplea un cable de conexión a tierra separado, se recomienda que un electricista calificado determine si la trayectoria de descarga a tierra es adecuada.

Puede obtener una copia de las normas de los códigos antes indicados en:

National Fire Protection Association
1 Batterymarch Park Quincy,
MA 02269-7471

CSA International 8501
East Pleasant Valley Road
Cleveland, OH 44131-5575

- Se necesita un circuito eléctrico de 120 V ~, 60 Hz, 463 W, CA solamente, protegido con fusible de 3,8 A.
- Si la casa tiene cableado de aluminio, siga el procedimiento a continuación:

Conecte el cableado de aluminio usando conectores especiales y/o herramientas diseñadas y de la lista de UL para unir el cobre al aluminio.

Siga el procedimiento recomendado por el fabricante del conector eléctrico. La conexión de cobre/aluminio deberá hacerse en conformidad con los códigos locales y las prácticas de cableado aceptadas por la industria.

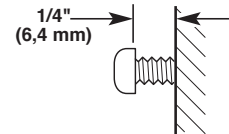
- Los tamaños de los cables y las conexiones deben hacerse de acuerdo con la clasificación del electrodoméstico, como se especifica en la placa con el modelo/serie/valores nominales. La placa del modelo/la serie está ubicada detrás del filtro, en la pared posterior de la campana.
- Los tamaños de los cables deben hacerse de acuerdo a los requisitos del National Electrical Code (Código Nacional Eléctrico), ANSI/NFPA 70 (última edición) o las normas de CSA C22. 1-94 Canadian Electrical Code (Código Canadiense de Electricidad), Parte 1 y C22.2 N° 0-M91 (última edición), y todos los códigos y ordenanzas locales.

INSTRUCCIONES DE INSTALACIÓN

Preparación de la ubicación

- Se recomienda que el sistema de ventilación sea instalado antes de que se instale la campana de estufa.
 - Antes de hacer los recortes, asegúrese que haya suficiente espacio libre dentro del techo o la pared para el ducto de escape.
 - La campana de estufa deberá instalarse a 24" (61,0 cm) como mínimo para las superficies de cocción eléctricas, 30" (76,2 cm) como mínimo para las superficies de cocción a gas, hasta un máximo sugerido de 36" (91,4 cm) por encima de la superficie de cocción.
 - Revise la altura del techo y la altura máxima de la campana de estufa antes de seleccionar su campana.
1. Desconecte el suministro eléctrico.
 2. Decida qué método de ventilación usará: en el techo o en la pared.
 3. Seleccione una superficie plana para ensamblar la campana de estufa. Cubra dicha superficie.

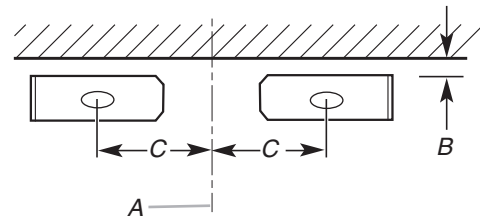
3. Taladre orificios piloto de 3/32" (2,4 mm) para la instalación en madera. Los tornillos provistos para montar esta campana de estufa se deben sujetar a madera maciza. No los sujete a una placa de yeso.
IMPORTANTE: Todos los tornillos se deben instalar en madera. Si no hay madera en la cual instalarlos, se necesitarán soportes adicionales para el marco de pared.
4. Instale los tornillos de montaje de 5 x 45 mm. Deje un espacio de 1/4" (6,4 mm) entre la pared y la parte posterior de la cabeza del tornillo para deslizar la campana de estufa en su lugar.



5. Retire la plantilla.

Instalación del soporte de apoyo para la chimenea

1. Coloque dos de los soportes para chimenea contra la pared, de manera que sus bordes superiores estén a 1/16" (1,6 mm) del techo o soffito y nivélelo. Marque los orificios.



- A. Línea central vertical
- B. 1/16" (1,6 mm)
- C. 10³/16" (26,9 cm) como mínimo

2. Taladre orificios piloto
 - Si va a instalar en madera, taladre cuatro orificios piloto de 3/32" (2,4 cm).
3. Sujete cada soporte a la pared con tornillos de montaje de 4,2 x 9,5 cm. Apriete firmemente los tornillos.

⚠ ADVERTENCIA

Peligro de Peso Excesivo

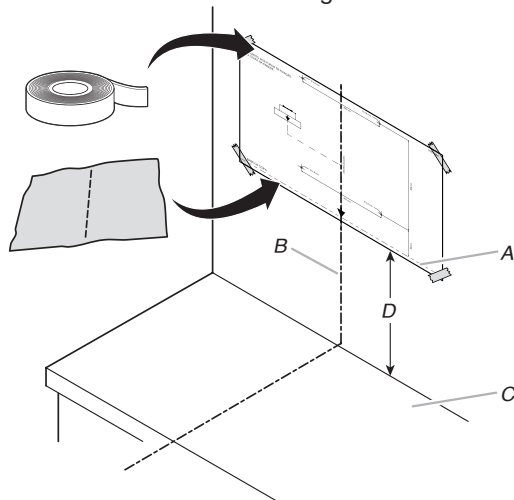
Use dos o más personas para mover e instalar la campana de cocina.

No seguir esta instrucción puede ocasionar una lesión en la espalda u otro tipo de lesiones.

4. Con la ayuda de dos o más personas, levante la campana de estufa y colóquela en la superficie cubierta.

Instalación de los tornillos de montaje de la campana de estufa

1. Determine y marque la línea central en la pared, en donde se instalará la campana de estufa.
2. Según la altura del techo o soffito, determine la distancia "X" (24" [61 cm] mínimo desde la superficie de cocción eléctrica o 30" [76,2 cm] como mínimo desde una a gas, se recomienda 36" [91,4 cm] como máximo) necesaria entre la superficie de cocción y la parte inferior de la campana de estufa. Pegue la plantilla de instalación en la pared, tomando como referencia la distancia mínima entre la superficie de cocción. Como se muestra en el gráfico.



- A. Línea horizontal
- B. Línea central vertical
- C. Superficie de cocción
- D. Distancia "X" (24" [61,0 cm] como mínimo desde la superficie de cocción eléctrica, 30" [76,2 cm] como mínimo desde la superficie de cocción a gas, 36" [91,4 cm] como máximo sugerido) + 17¹/₈" (43,5 cm)

Complete la preparación

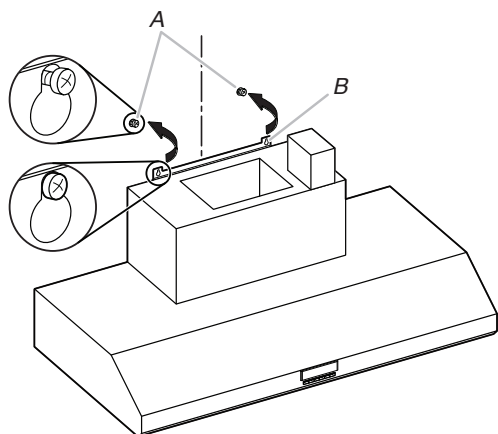
1. Determine y haga todos los cortes necesarios en la pared para el sistema de ventilación. Instale el sistema de ventilación antes de instalar la campana de estufa. Vea la sección "Requisitos de ventilación".
2. Determine la ubicación en dónde el cable de suministro eléctrico se dirigirá a través de la pared. Asegúrese que la ubicación esté cubierta por la chimenea de la campana de estufa.
3. Taladre un orificio de 1 1/4" (3,2 cm) en esta ubicación.
4. Jale suficiente cable de suministro eléctrico a través de la pared para permitir que se haga fácilmente la conexión a la caja de terminales.

NOTA: Su campana requiere que compre un sistema de motor de soplador (tipo externo) en línea o interno.

Para los sistemas de soplador interno, hay piezas de montaje de motor del soplador en el paquete de instalación del motor del soplador que se deben agregar a la campana antes de montarla en la pared. Consulte la sección "Instalación del motor del soplador interno de la campana de estufa" y las instrucciones que se proveen con el motor del soplador.

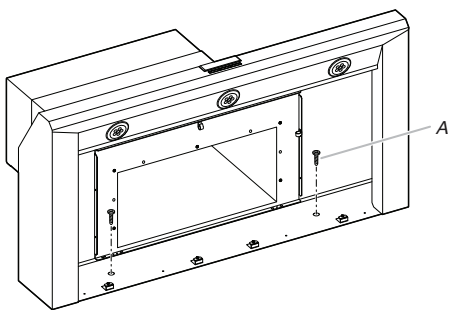
Instalación de la campana de estufa

1. Con la ayuda de dos o más personas, cuelgue la campana de estufa sobre dos tornillos a través de las ranuras de montaje que están sobre la parte posterior de la campana.



A. Tornillos de montaje
B. Ranuras de montaje

2. Nivele la campana de estufa y apriete los tornillos de montaje superiores.
3. Instale dos tornillos de montaje inferiores de 5 x 45 mm y apriételos.



A. Tornillos de montaje inferiores

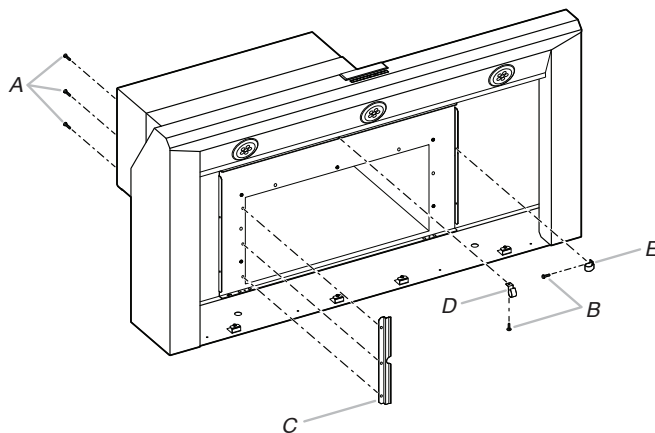
Instalación del motor del soplador interno de la campana de estufa

NOTA: Su campana requiere que compre un sistema de motor de soplador (tipo externo) en línea o interno.

Prepare el sistema del soplador interno

IMPORTANTE: Realice los pasos 1 a 4 antes de montar la campana de estufa.

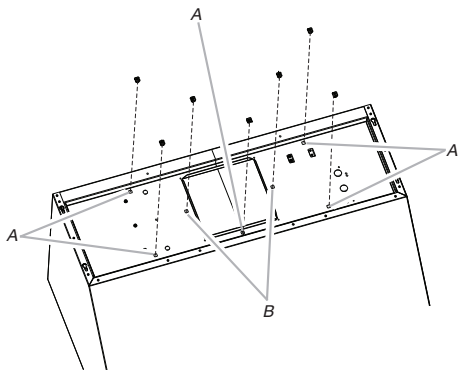
1. Quite los filtros para grasa de la campana de estufa. Vea la sección "Cuidado de la campana de estufa".
2. Instale el soporte del motor con tres tornillos de 4,2 x 8 mm. Atornille el soporte a la parte superior o trasera (ubicación alternativa en algunos modelos), hacia el lado izquierdo de la campana de estufa.
3. Instale el sujetador con resorte del motor con dos tornillos de 4,2 x 8 mm. Atornille el sujetador con resorte a la parte superior o trasera (ubicación alternativa en algunos modelos) de la campana en la ubicación adecuada para el sistema de motor seleccionado. Deslice la pestaña de montaje del sujetador con resorte por la ranura del panel y fjela con los tornillos. Use el juego interno de orificios de montaje del sistema de motor simple. Use el juego externo de orificios de montaje del sistema de motor doble.



A. Tornillos de 4,2 x 8 mm (3) para soporte de motor
B. Tornillos de 4,2 x 8 mm (2) para sujetador con resorte de motor
C. Soporte de apoyo del motor
D. Sujetador con resorte para motor (ubicación de ensamblaje de motor simple)
E. Sujetador con resorte para motor (ubicación de ensamblaje de motor doble)

4. Instale tuercas de 6 mm a la parte superior o exterior trasera (ubicación alternativa en algunos modelos) de la campana en la ubicación adecuada para el sistema de motor seleccionado.

 - Se requieren dos tuercas de 6 mm para un sistema de motor simple. Sujete las tuercas en las muescas cuadradas pequeñas ubicadas en los extremos izquierdo y derecho de la apertura del ducto de ventilación cuadrado.
 - Se requieren cinco tuercas de 6 mm para un sistema de motor doble. Sujete las tuercas en las muescas cuadradas pequeñas, una ubicada en la parte delantera de la apertura del ducto de ventilación cuadrado y las cuatro restantes ubicadas en los extremos izquierdo y derecho de la apertura del ducto de ventilación cuadrado.



A. Ubicaciones de tuercas de sujeción para el ensamblaje de motor doble (5)
B. Ubicaciones de tuercas de sujeción para el ensamblaje de motor simple (2)

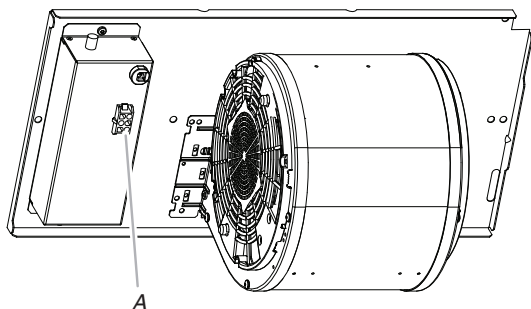
5. Ensamble la campana de estufa. Vea la sección “Instalación de la campana de estufa”.

Instalación del motor del soplador interno de la campana de estufa

IMPORTANTE: El soplador debe instalarse antes de instalar la campana en la pared.

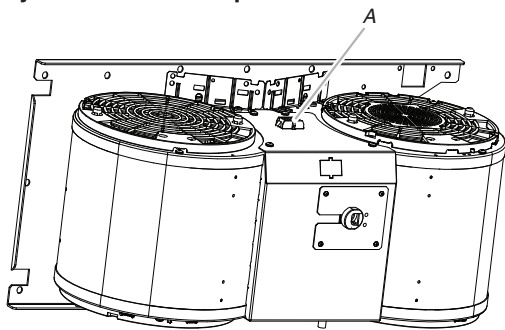
1. Instale el ensamblaje del motor del soplador de la campana dentro de la campana de estufa con la conexión de cableado hacia la izquierda para los sistemas con un motor simple y hacia la parte de arriba o delantera para los sistemas de motor doble.

Ensamblaje del motor del soplador simple



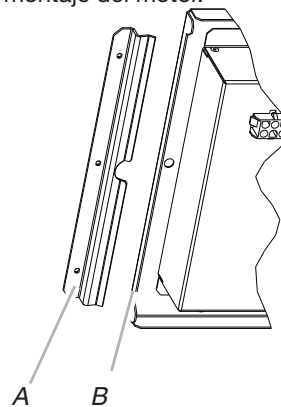
A. Conexión del cableado

Ensamblaje del motor del soplador doble



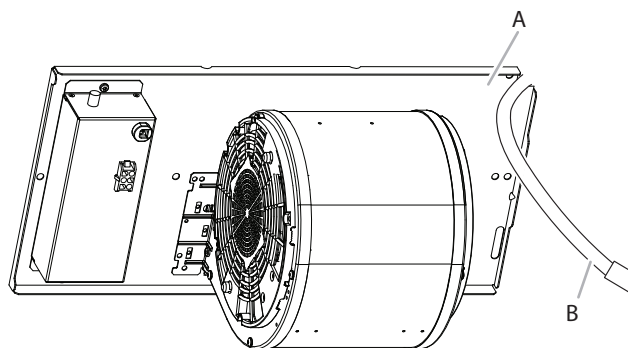
A. Conexión del cableado

2. Deslice la brida de la placa de montaje izquierda bajo el soporte de montaje del motor.



A. Soporte de montaje de motor
B. Brida izquierda de placa de montaje

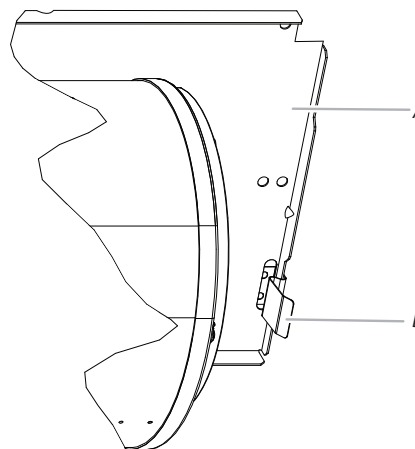
3. Pase los cables del suministro eléctrico y el conector desde la campana a través del orificio en el extremo derecho de la placa de montaje del motor.



A. Orificio de placa de montaje del motor
B. Conector y cables de suministro eléctrico

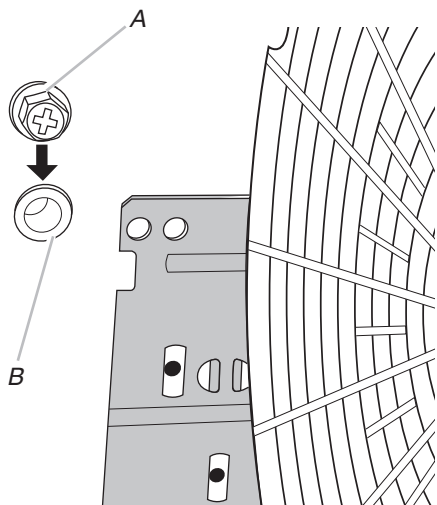
4. Empuje el lado derecho de la placa de montaje del motor hacia arriba y fíjelo en la pestaña de resorte.

NOTA: La pestaña de resorte debe estar fuera de la ranura en la placa de montaje.



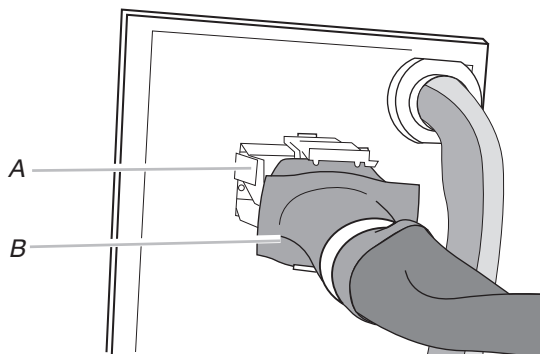
A. Placa de montaje del motor
B. Sujetador con resorte

5. Alinee los orificios de montaje e instale tornillos de 6 x 16 mm y arandelas de seguridad de 6,4 mm.



A. Tornillo con arandela de fijación
B. Orificio de montaje

6. Fije el conector de suministro eléctrico de la campana al conector en la caja de cableado de ensamblaje del motor del soplador.



A. Conector de caja de cableado
B. Conector de suministro eléctrico de la campana

7. Vaya a la sección “Hacer las conexiones al suministro eléctrico de la campana de estufa”.

Instale el motor del soplador (tipo externo) en línea de la campana de estufa

NOTA: Su campana requiere que compre un sistema de motor de soplador (tipo externo) en línea o interno.

Prepárese para el montaje del sistema de soplador en línea

El sistema del soplador en línea debe estar fijado a una estructura segura del techo, cielorraso, pared, suelo o construcción de marco nuevo o existente. Los cuatro orificios de cada lado (inferior o el lado (superior) de salida del soplador deben usarse para montar el sistema del soplador en línea a la estructura.

NOTA: Las ubicaciones de los orificios de montaje deben ajustarse a los pernos. Es probable que se requieran marcos adicionales para los marcos. Puede usar madera contrachapada para rellenar las áreas abiertas entre las vigas del cielorraso o el techo para asistir la instalación. Esta estructura debe ser lo suficientemente fuerte para soportar el peso del sistema del soplador en línea (50 lb [22,6 kg] mín.).

Prepare el sistema de soplador en línea

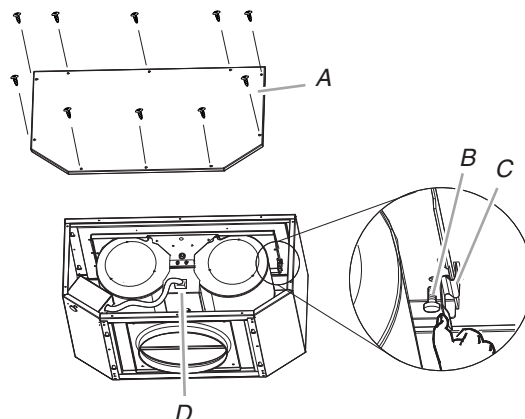
⚠ ADVERTENCIA

Peligro de peso excesivo

Use dos o más personas para mover e instalar el sistema motor del soplador en línea.

No seguir esta instrucción puede dar como resultado lesiones en la espalda o de otro tipo.

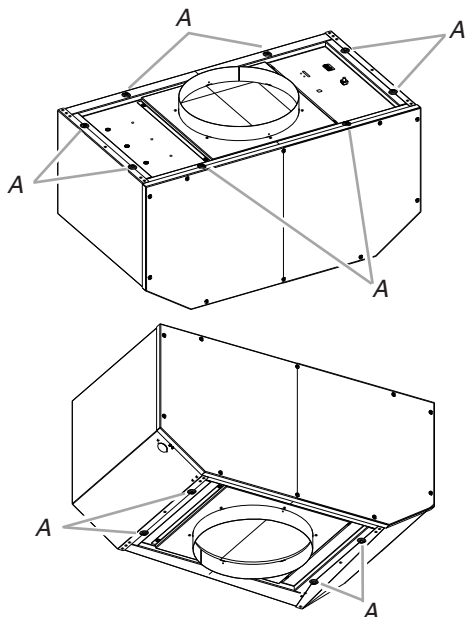
1. Con dos o más personas, mueva el sistema del motor del soplador en línea a la ubicación de montaje.
2. Retire los 10 tornillos de la tapa delantera del gabinete del motor del soplador en línea y déjelos a un lado.
3. Retire la tapa delantera del gabinete del motor del soplador en línea y déjala a un lado.
NOTA: Para facilitar el montaje del gabinete del motor del soplador, se puede retirar el ensamblaje del motor del soplador. Si no desea retirar el ensamblaje del motor del soplador, continúe con “Instalar el sistema del soplador en línea” en esta sección.
4. Desconecte el enchufe eléctrico del motor del ensamblaje del motor del soplador.
5. Retire los tornillos que fijan el ensamblaje del motor del soplador al gabinete del soplador en línea y déjelos a un lado.
6. Tire el gancho de resorte para liberar el ensamblaje del motor del soplador. Retire el ensamblaje del motor del soplador del gabinete y déjelo en una superficie cubierta.



A. Cubierta delantera
B. Tornillos de montaje del soplador
C. Gancho resorte
D. Enchufe del motor

Instale el sistema de soplador en línea

NOTA: El gabinete del motor del soplador puede montarse utilizando cuatro orificios desde el lado de ingreso o salida del soplador.

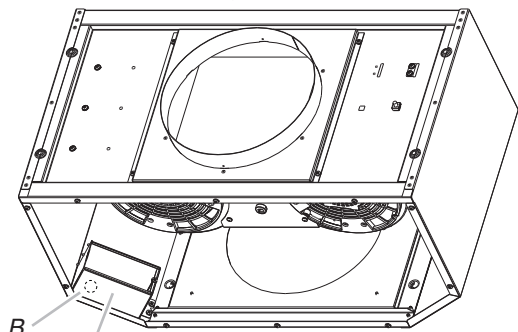


A. Orificios de montaje

1. Ubique el gabinete del motor del soplador en línea en su ubicación de montaje y manquee la ubicación de los cuatro orificios de montaje.
2. Taladre cuatro orificios piloto de montaje usando una broca de 3/16 (4,8 mm).
3. Fije el gabinete de motor del soplador en línea a la ubicación de montaje con cuatro arandelas y tornillos de montaje de 6 x 80 mm.
4. Si los retira, vuelva a instalar el ensamblaje del motor del soplador y fíjelo con los tornillos que retiró antes.
5. Si los retira, vuelva a fijar el enchufe eléctrico del motor al conector del ensamblaje del motor del soplador.

Complete la preparación

1. Determine y haga todos los cortes necesarios para el sistema de ventilación.
IMPORTANTE: Cuando corte o taladre el cielorraso o la pared, no dañe el cableado ni otros servicios públicos ocultos.
2. Determine la ubicación donde se colocará el conducto de cableado de 1/2" (1,3 cm) a lo largo del cielorraso o la pared entre el soplador en línea y la campana de estufa.
3. Taladre un orificio de 1 1/4" (3,2 cm) en esta ubicación.
4. Ubiquen las cajas de terminales eléctricos en el gabinete del soplador en línea y la campana de estufa. Quite las cubiertas de la caja de terminales y ponga las cubiertas y tornillos a un lado.



A. Caja de terminales eléctricas
B. Disco removible eléctrico

5. Retire el disco removible eléctrico del gabinete del soplador en línea y la campana de estufa para preparar la instalación del conducto de cableado de 1/2" (1,3 cm) de la lista UL o aprobado por CSA y el conector de conducto.
6. Con la campana montada (vea la sección "Instalación de la campana de estufa"), pase el conducto de cableado de 1/2" (1,3 cm) entre el gabinete del motor del soplador en línea y la campana de estufa. Tire suficiente conducto de cableado 1/2" (1,3 cm) para permitir una conexión sencilla de las cajas de terminales en el gabinete del soplador en línea y la campana de estufa.
7. Pase los seis cables 18 AWG por el conducto de cableado de 1/2" (1,3 cm) y los conectores de conducto, y en la caja de terminales del gabinete del soplador en línea y la campana de estufa. Deje suficiente cable en cada caja de terminales para realizar las conexiones de cableado.
8. Instale los conectores de conducto y el conducto en el gabinete del soplador en línea y las cajas de terminales eléctricas de la campana de estufa.
9. Conecte el sistema de ventilación en la campana de estufa y el sistema del soplador en línea, y selle todas las juntas y abrazaderas.

Haga las conexiones eléctricas para el sistema de motor del soplador en línea

⚠ ADVERTENCIA



Peligro de Choque Eléctrico

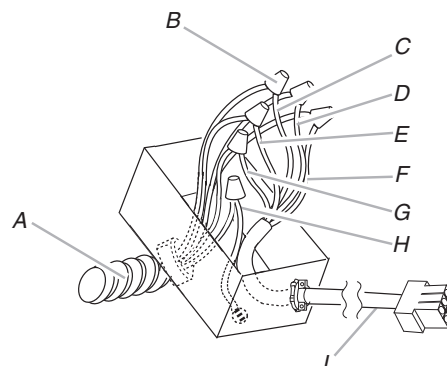
Desconecte el suministro de energía antes de darle mantenimiento.

Vuelva a colocar todos los componentes y paneles antes de hacerlo funcionar.

No seguir estas instrucciones puede ocasionar la muerte o choque eléctrico.

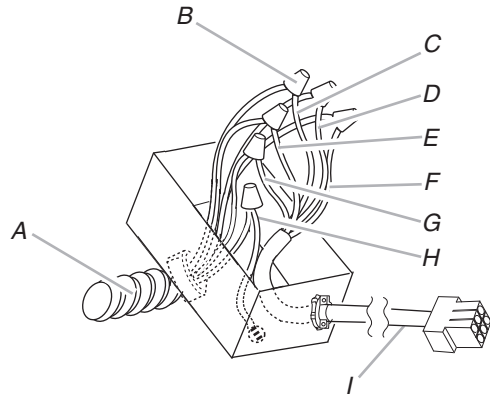
Conexiones eléctricas dentro del sistema del soplador en línea

1. Desconecte el suministro eléctrico.
2. Conecte los cables del conducto de cableado a los cables desde el cable del enchufe eléctrico del motor dentro de la caja de terminales del gabinete del soplador en línea.



- A. Conector de cableado homologado por UL o aprobado por CSA de 1/2" (1,3 cm)
B. Conectores de cable homologados por UL
C. Cables negros
D. Cables blancos
E. Cables rojos
F. Cables azules
G. Cables grises
H. Cables verdes (o amarillos/verdes) y verdes/amarillos
I. Cable con enchufe del motor

- Use conectores de cables que estén en la lista de UL y conecte los cables negros (C).
- Use conectores de cables que estén en la lista de UL y conecte los cables blancos (D).
- Use conectores de cables que estén en la lista de UL y conecte los cables rojos (E).
- Use conectores de cables que estén en la lista de UL y conecte los cables azules (F).
- Use conectores de cables que estén en la lista de UL y conecte los cables grises (G).



- | | |
|---|--|
| A. Conector de cableado homologado por UL o aprobado por CSA de 1/2" (1,3 cm) | F. Cables azules |
| B. Conectores de cable homologados por UL | G. Cables grises |
| C. Cables negros | H. Cables verdes (o amarillos/verdes) y verdes/amarillos |
| D. Cables blancos | I. Cable con enchufe del motor |
| E. Cables rojos | |

- Vaya a la sección "Hacer las conexiones al suministro eléctrico de la campana de estufa".

Hacer las conexiones al suministro eléctrico de la campana de estufa

⚠ ADVERTENCIA



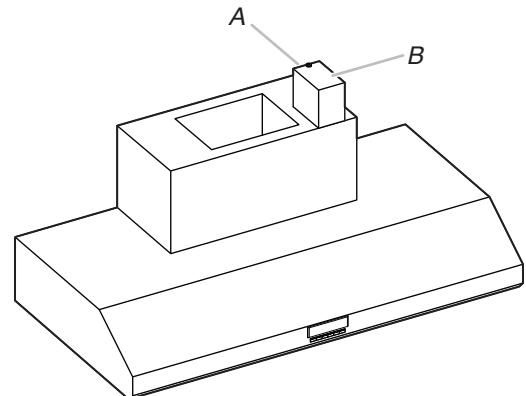
Peligro de Choque Eléctrico

Desconecte el suministro de energía antes de darle mantenimiento.

Vuelva a colocar todos los componentes y paneles antes de hacerlo funcionar.

No seguir estas instrucciones puede ocasionar la muerte o choque eléctrico.

- Desconecte el suministro eléctrico.
- Ubique la caja de terminales de la campana de estufa.



- A. Disco removible en la parte trasera en la caja de terminales
B. Parte superior de la caja de terminales

⚠ ADVERTENCIA



Peligro de Choque Eléctrico

Conecte el soplador a tierra.

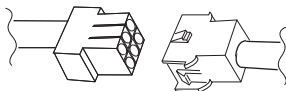
Conecte el alambre de tierra al alambre verde y amarillo de conexión a tierra en la caja de terminales.

No seguir estas instrucciones puede ocasionar la muerte o choque eléctrico.

- Conecte el cable a tierra verde (o verde/amarillo) al cable a tierra verde/amarillo (H) en la caja de terminales utilizando conectores de cable que estén en la lista de UL.
- Vuelva a instalar la tapa de la caja de terminales del soplador en línea y los tornillos.
- Vuelva a instalar la tapa delantera del gabinete del soplador en línea y fijela con 10 tornillos de montaje.

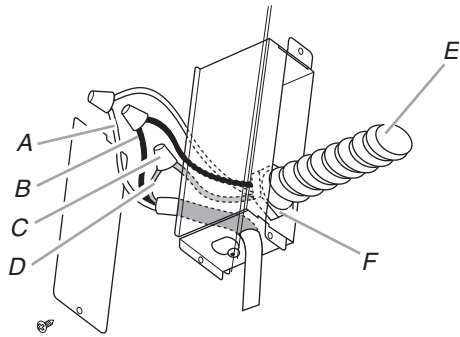
Conexión eléctrica dentro de la campana de estufa entre el sistema de soplado en línea y la campana

- Con la campana montada (vea la sección "Instalación de la campana de estufa"), ubique el conector del cable de cableado dentro de la campana de estufa.
- Conecte el ensamblaje de conector de 6 cables suministrado con el sistema de motor del soplador en línea al conector de cable de apareamiento de la campana de estufa.



- Ubique la caja de terminales dentro de la campana de estufa e instale un protector de cables de 1/2" (1,3 cm) de la lista de UL o aprobado por CSA (vea "Completar la preparación" en la sección "Preparación de la ubicación").
- Pase los extremos del cable del ensamblaje del conector de 6 cables por el protector de cables de 1/2" (1,3 cm), dejando el largo suficiente de cable para realizar las conexiones del cableado. Apriete los tornillos del protector de cables.
- Conecte los cables del ensamblaje del conector de seis cables a los cables del conducto de cableado dentro de la caja de terminales de la campana.
- Conecte los cables del mismo color entre ellos (negro con negro, blanco con blanco, etc.) usando los conectores de cables de la lista de UL.

NOTA: Conecte el cable a tierra verde (o verde/amarillo) del conducto de cableado al cable a tierra verde (o sin recubrimiento) del suministro eléctrico doméstico usando conectores de cables de la lista de UL (vea la sección "Hacer las conexiones al suministro eléctrico de la campana de estufa").



- A. Cables blancos
- B. Cables negros
- C. Conectores de cables homologados por UL
- D. Cables a tierra verdes, sin recubrimiento o amarillos y verdes
- E. Suministro eléctrico doméstico
- F. Protector de cable homologado por UL o aprobado por CSA de 1/2" (1,3 cm)

3. Use conectores de cables que estén en la lista de UL y conecte los cables negros (B).
4. Use conectores de cables que estén en la lista de UL y conecte los cables blancos (A).

⚠ ADVERTENCIA



Peligro de Choque Eléctrico

Conecte el soplador a tierra.

Conecte el alambre de tierra al alambre verde y amarillo de conexión a tierra en la caja de terminales.

No seguir estas instrucciones puede ocasionar la muerte o choque eléctrico.

NOTA: Al usar un sistema de motor del soplador en línea, el cable a tierra verde (o verde/amarillo) en el conducto del sistema del motor del soplador en línea se debe conectar con el cable verde (o sin recubrimiento) del cable de suministro eléctrico doméstico y con el cable verde/amarillo (D) del cable de terminales.

5. Conecte el cable a tierra verde (o sin recubrimiento) del suministro eléctrico doméstico al cable a tierra verde/amarillo (D) en la caja de terminales usando los conectores de cables de la lista de UL.
6. Instale la cubierta de la caja de terminales.
7. Cerciérese de que todos los focos estén seguros en sus portalámparas.
8. Reconecte el suministro eléctrico.

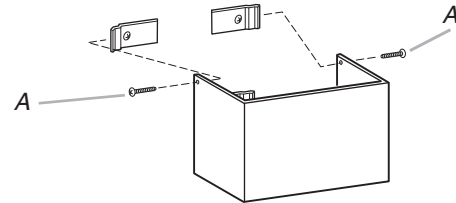
Instalación de las cubiertas para chimenea

Conecte el sistema de ventilación y selle todas las conexiones con abrazaderas.

Instalación de la cubierta superior para chimenea

1. Separe ligeramente los lados de la cubierta y engánchelos detrás de los soportes de montaje de la chimenea.
2. Fije la tapa de la chimenea a las bridas con dos tornillos de 4,2 x 8 mm.

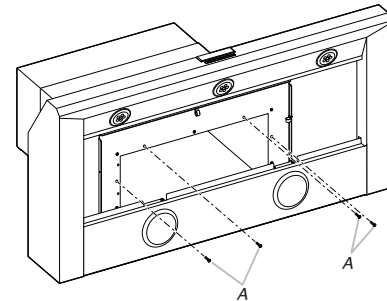
3. Apriete firmemente los tornillos.



A. Dos tornillos de cabeza plana

Instalación de la cubierta inferior para chimenea

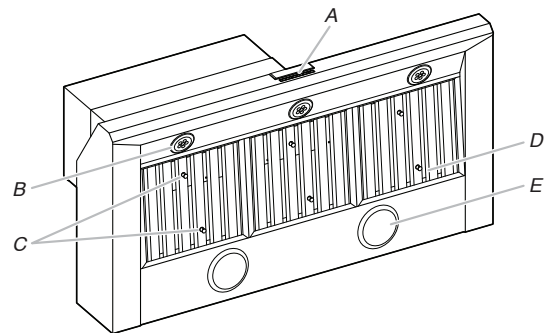
1. Separe ligeramente los lados de la cubierta y engánchelos detrás de la chimenea superior.
2. Por dentro de la campana de estufa, use los 4 - tornillos de 4,2 x 8 mm de para sujetar la cubierta de la chimenea inferior al escudete de la campana de estufa.
3. Apriete firmemente los tornillos.



A. Tornillos

Completar la instalación y verificar el funcionamiento

1. Instalación de los filtros de grasa. Vea la sección "Cuidado de la campana de estufa".
2. Verifique el funcionamiento de las luces y del soplador de la campana de estufa. Vea la sección "Uso de la campana de estufa".



- A. Interruptores de control de soplado
- B. Luces LED
- C. Manijas del filtro para grasa
- D. Filtro para grasa
- E. Lámparas de calor

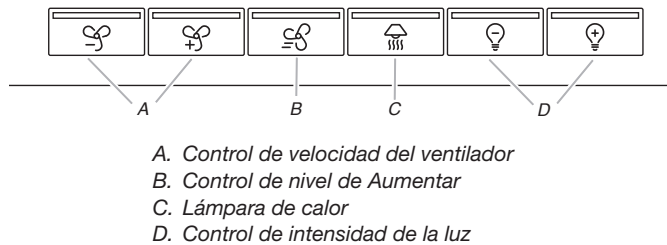
3. Si la campana de estufa no funciona, verifique si se ha disparado un disyuntor o si se ha quemado un fusible de la casa. Desconecte el suministro eléctrico y revise si se hizo bien el cableado.

NOTA: Para obtener un uso más eficaz de su nueva campana de estufa, lea la sección "Uso de la campana de estufa".

USO DE LA CAMPANA DE ESTUFA

La campana de estufa se ha diseñado para remover humo, vapores provenientes de la cocción y olores del área de la superficie de cocción. Para obtener resultados óptimos, encienda la campana antes de cocinar y déjela funcionando varios minutos después de finalizar la cocción para que extraiga todo el humo y los olores de la estufa.

Los controles de la campana de estufa están ubicados en la parte bajo la campana de estufa.



Controles de la campana de estufa

Cómo utilizar la luz

1. Presione los botones de control de luz (C) para encender y controlar los ajustes de luz.
2. Para seleccionar una intensidad menor, presione el botón izquierdo de los dos botones de control de luz hasta que encuentre el ajuste de luz deseado. Para aumentar, presione el botón derecho.

Funcionamiento del ventilador

1. Presione los botones de control de velocidad de ventilador (A) para encender y controlar los ajustes del ventilador.
2. Para aumentar la velocidad del ventilador durante cinco minutos, presione el botón de nivel Fan Boost (Aumentar ventilador) (B). Una vez que hayan pasado los cinco minutos, el ventilador regresará a la velocidad anteriormente seleccionada.

Ventilador de encendido automático

La campana de estufa está equipada con un sensor para encender el ventilador automáticamente cuando se ha detectado. Si es necesario, el sensor pasará el ventilador al ajuste Boost (Aumentar), y una vez que el calor disminuya, el ventilador se apagará automáticamente.

Ajustes del ventilador

El ventilador tiene tres controles de velocidad. Mueva el interruptor de velocidad del ventilador a la posición "1" para velocidad baja, "2" para velocidad media o "3" para velocidad alta.

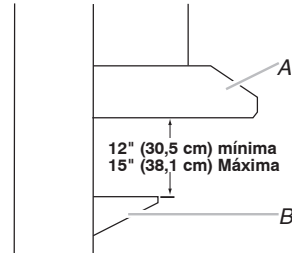
Protector térmico

La campana de estufa está equipada con un protector térmico para evitar condiciones de sobrecalentamiento. Si la campana de estufa se apaga mientras está en uso, presione el botón OFF (Apagar) para apagar la campana de estufa. Espere aproximadamente 60 minutos, luego presione el botón ON (Encender) para volver a poner en marcha la campana de estufa.

Funcionamiento de la lámpara de calor

Las lámparas de calor están diseñadas para mantener la comida caliente antes de servirla. La superficie de cocción está demasiado lejos de la lámpara de calor para usarla como estantería.

Para obtener los mejores resultados, instale una estantería de metal para poner los alimentos más cerca de las lámparas. La distancia óptima entre la estantería y la campana de estufa es de 12" (30,5 cm) a 15" (38,1 cm).



A. Campana de estufa
B. Estantería de metal

Para el mejor rendimiento, la comida debería ponerse directamente bajo las lámparas de estufa, no entre ellas. Es probable que deba ajustar la ubicación de la comida para que se ajuste a sus necesidades.

1. Instale los focos de la lámpara de calor en los casquillos de la misma.

NOTA: Los focos de la lámpara de calor deben tener una clasificación máxima de 175 vatios cada uno. Para el mejor rendimiento, se recomiendan los focos de lámpara de calor rojos de 175 vatios como máximo, tipo PAR38. El rendimiento de los focos varía. Los focos con menos vatios y transparentes afectan el rendimiento.

⚠ ADVERTENCIA

Peligro de Intoxicación Alimentaria

No deje sus alimentos por más de una hora antes o después de su cocción.

No seguir esta instrucción puede ocasionar intoxicación alimentaria o enfermedad.

2. Para encender las lámparas de calor, mueva el interruptor a la posición de "I". Para apagar las lámparas de calor, mueva el interruptor a la posición de "O".

CUIDADO DE LA CAMPANA DE ESTUFA

Limpieza

IMPORTANTE: Limpie con frecuencia la campana y los filtros para grasa de acuerdo a las instrucciones a continuación. Vuelva a colocar los filtros para grasa antes de poner a funcionar la campana.

Superficies exteriores:

Para evitar daños a la superficie exterior, no use estropajos de acero ni jabonosos.

Siempre séquela con un paño para evitar manchas de agua.

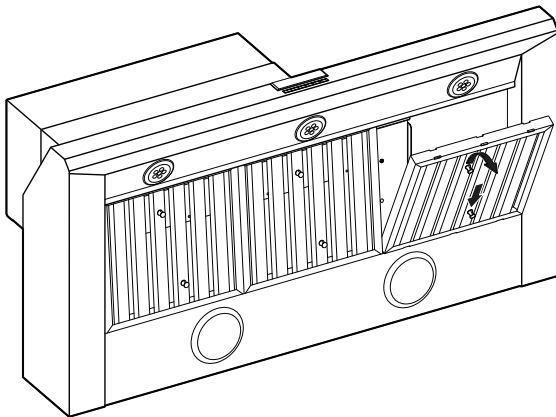
Método de limpieza:

- Detergente líquido y agua o producto de limpieza general.
- Límpiela con un paño suave húmedo o una esponja no abrasiva, enjuáguela con agua limpia y séquela con un paño.

Filtro de metal para grasa

Para sacar los filtros de metal para grasa:

1. Use dos manos para retirar los filtros de metal para grasa. Agarre las manijas del filtro, empuje hacia la parte trasera de la campana de estufa y empuje hacia abajo en la manija delantera para sacarlo.



2. Repetir para cada filtro de grasa.
3. Los filtros de grasa deben limpiarse usando agua tibia, líquido lavavajillas y un cepillo no abrasivo. No se recomienda la lavavajillas.

Para volver a instalar los filtros de metal para grasa:

1. Agarre las manijas del filtro y ubíquelo la parte trasera del filtro en la guía trasera.
2. Empuje la manija trasera y ajuste la parte delantera del filtro para grasa en la guía delantera para fijarlo.
3. Repítalo para cada filtro.

Cómo reemplazar una lámpara de calor

Esta campana de estufa requiere dos lámparas de calor de 175 vatios como máximo. Apague las lámparas de calor y espere a que se enfríen.

Para colocarla:

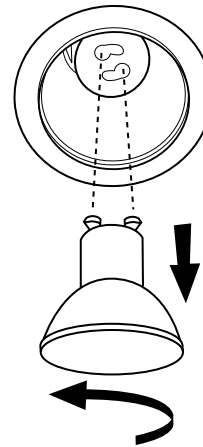
1. Desconecte el suministro eléctrico.
2. Saque la lámpara de calor de su portalámparas.
3. Reemplace el foco de la lámpara de calor con uno del mismo tipo y ajústelo en el portalámparas.
4. Repita los pasos 2 y 3 con el foco de la otra lámpara de calor de ser necesario.
5. Reconecte el suministro eléctrico.

Sustitución de lámparas LED

Apague la campana de estufa y espere a que se enfríe la lámpara LED. Para evitar dañar o disminuir la vida útil del nuevo foco, no lo toque con los dedos descubiertos. Vuelva a colocar el foco, utilizando un pañuelo de papel o guantes de algodón para manipularlo.

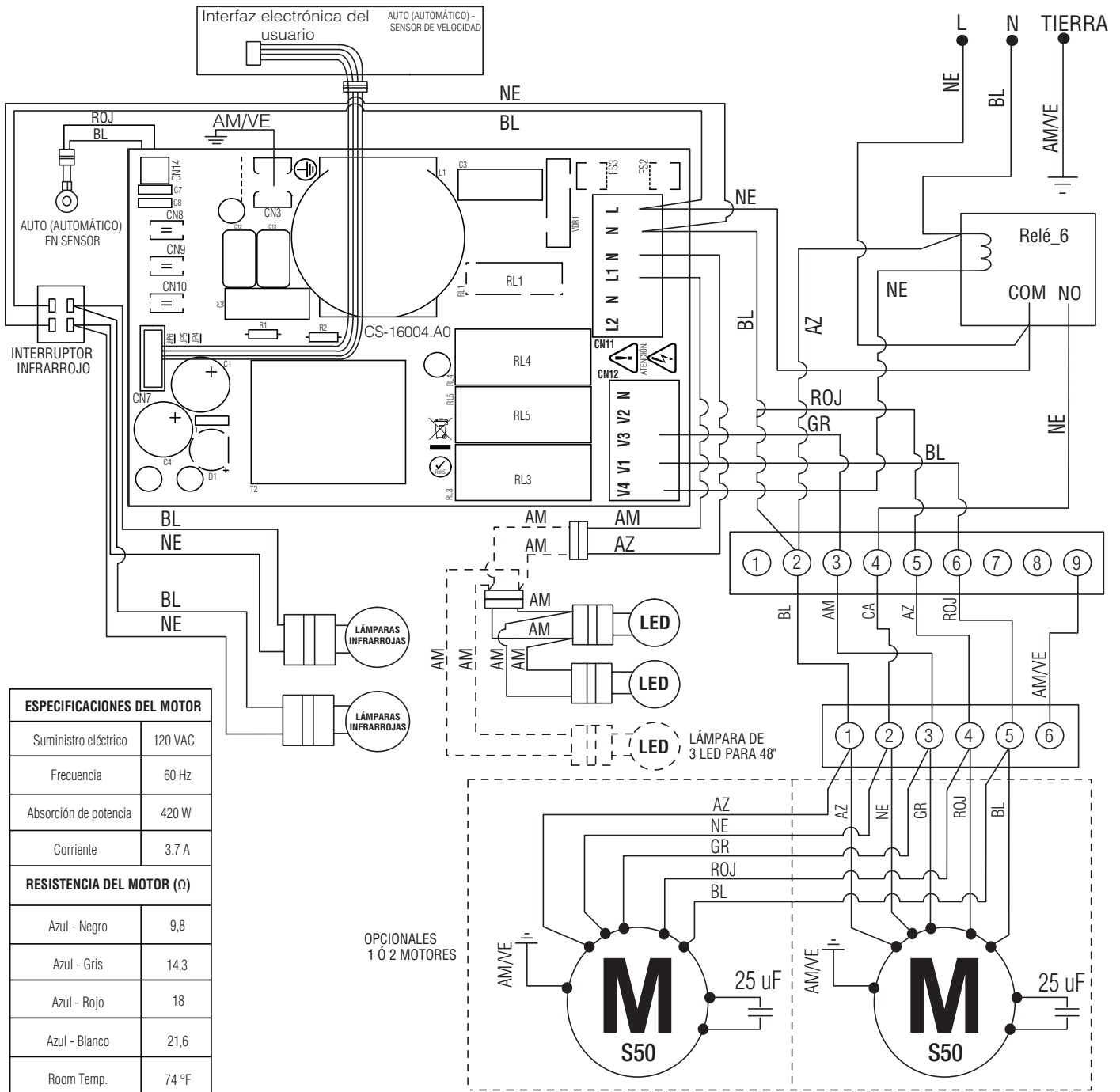
Si las nuevas lámparas no funcionan, cerciórese de que se han insertado correctamente antes de llamar para solicitar servicio.

1. Desconecte el suministro eléctrico.
2. Empuje la lente hacia arriba y gírela hacia la izquierda.



3. Quite el foco y reemplácelo con un foco halógeno de 120 voltios, 6,5 vatios como máximo, con una base GU10. Gírela en sentido del reloj para trabarlo en su lugar.
4. Repita los pasos 2 a 3 para el otro foco, si es necesario.
5. Reconecte el suministro eléctrico.

DIAGRAMA DE CABLEADO



| ESPECIFICACIONES DEL MOTOR | |
|----------------------------|---------|
| Suministro eléctrico | 120 VAC |
| Frecuencia | 60 Hz |
| Absorción de potencia | 420 W |
| Corriente | 3.7 A |
| RESISTENCIA DEL MOTOR (Ω) | |
| Azul - Negro | 9,8 |
| Azul - Gris | 14,3 |
| Azul - Rojo | 18 |
| Azul - Blanco | 21,6 |
| Room Temp. | 74 °F |

OPCIONALES
1 Ó 2 MOTORES

AYUDA O SERVICIO TÉCNICO

Cuando llame para obtener ayuda o servicio, tenga a mano la fecha de compra y el número completo del modelo y de la serie de su electrodoméstico. Esta información nos ayudará a atender mejor su solicitud.

Si necesita piezas de repuesto

Si necesita pedir piezas de repuesto, recomendamos que use únicamente piezas especificadas de fábrica. Las piezas especificadas de fábrica encajarán bien y funcionarán bien ya que están confeccionadas con la misma precisión empleada en la fabricación de cada electrodoméstico nuevo. Para encontrar piezas de repuesto especificadas de fábrica en su localidad, llámenos o llame al centro de servicio técnico designado más cercano a su localidad.

En México

Llame al centro para la experiencia del cliente de KitchenAid sin costo alguno al: **1 800 002 2767**.

Nuestros consultores ofrecen ayuda con:

- Características y especificaciones de nuestra línea completa de electrodomésticos.
- Referencias a distribuidores locales de electrodomésticos KitchenAid.
- Información sobre la instalación.
- Procedimientos de uso y mantenimiento.
- Venta de accesorios y repuestos.
- Asistencia al cliente especializada (idioma español, deficiencias de audición, visión limitada, etc.).
- Recomendaciones de distribuidores locales, distribuidores de repuestos y empresas de servicio. Los técnicos designados por KitchenAid están capacitados para cumplir con la garantía de producto y ofrecer servicio una vez que la garantía termine en cualquier lugar de los México. Para localizar una compañía de servicio técnico designada por KitchenAid en su área, también puede consultar la sección amarilla de su guía telefónica.

Notas

Notas

Notas