

KitchenAid®

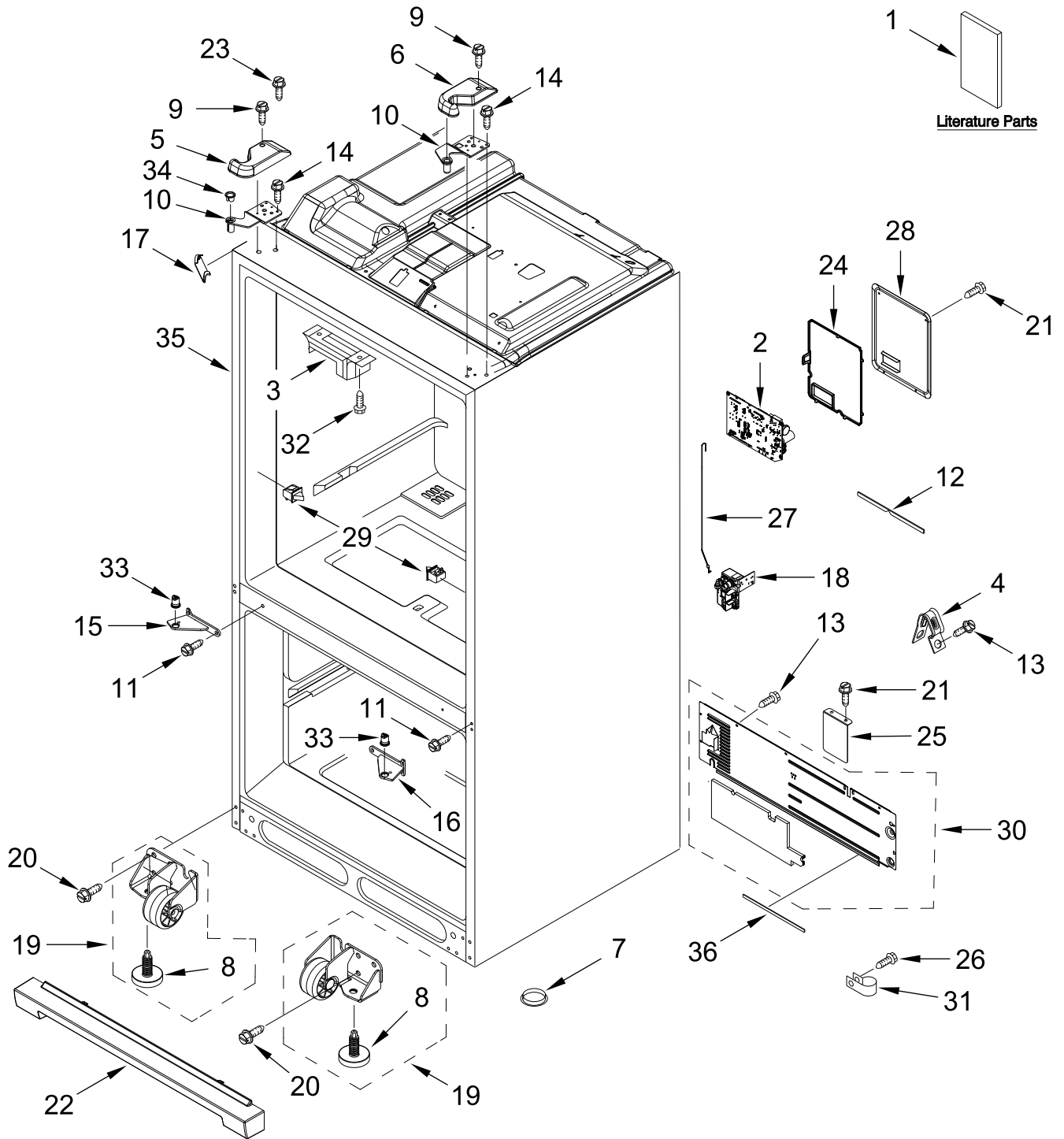
REFRIGERATOR

MODELS:

KRFF577KBS02 (Black Stainless)

KRFF577KPS02 (Stainless Steel)

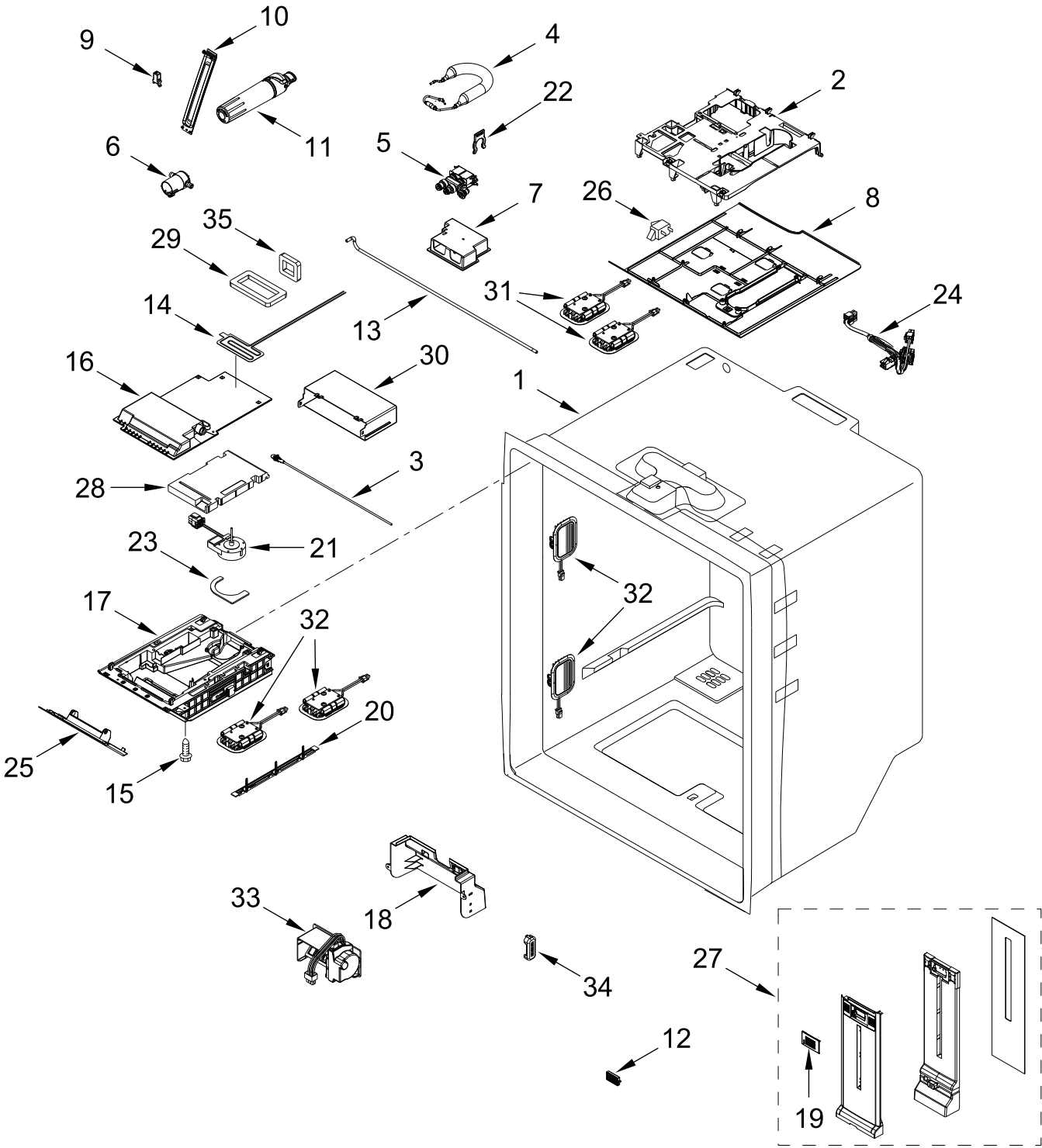
CABINET PARTS



CABINET PARTS

<u>Illus.</u> <u>No.</u>	<u>Part No.</u>	<u>Description</u>	<u>Illus.</u> <u>No.</u>	<u>Part No.</u>	<u>Description</u>	<u>Illus.</u> <u>No.</u>	<u>Part No.</u>	<u>Description</u>
1		Literature Parts Tech Sheet	11	W10673842	Screw (Black)	22		Grille, Toe
	W11509412	English		W10673840	Screw (Stainless)		W10637669	Black
	W11509413	French	12	W10415341	Gasket, HV Box		W10637671	Grey
	W11502338	Owners Manual	13	W10141645	Screw	23	12992601	Screw
	W11644538	Energy Guide	14	W10731474	Screw	24	W10768379	Lid, HV
2	W11161172	Board, Control	15		Hinge, Center	25	W10336736	Cover, Roller
3	W10562833	Block, Pivot		W10248705	Black	26	12990511	Screw
4	549193	Clamp, Power Cord		W10248706	Grey	27	W11296599	Tube, Water
5		Cover, Top Hinge Left Hand (Includes Foil)	16		Hinge, Center Right Hand	28	W10754144	Cover, Control Box
	W10471617	Black		W10248702	Black	29	W10847850	Switch, Light
	W10471618	Grey		W10248703	Grey	30	W11364644	Assembly, Unit Cover
6		Cover, Top Hinge Right Hand	17		Cover, Corner	31	M0108107	Clamp, Tube
	W10407157	Black		12587703B	Black	32	12990302	Screw
	W10407158	Grey		12587703AP	Grey	33	W10505294	Coupler, Door
7	A3076901	Plug, Button	18	W11460084	Valve, Water	34	W10212137	Retainer, Door
8	W10141622	Brake, Roller	19		Assembly, Roller	35		Cabinet (Not a Servicable Part)
9	12992602	Screw		W10515763	Left Hand	36	W11534848	Gasket
10		Hinge, Top		W10515762	Right Hand			
	W11456644	Left Hand	20	W10709365	Screw			
	W11456643	Right Hand	21	12990702	Screw			

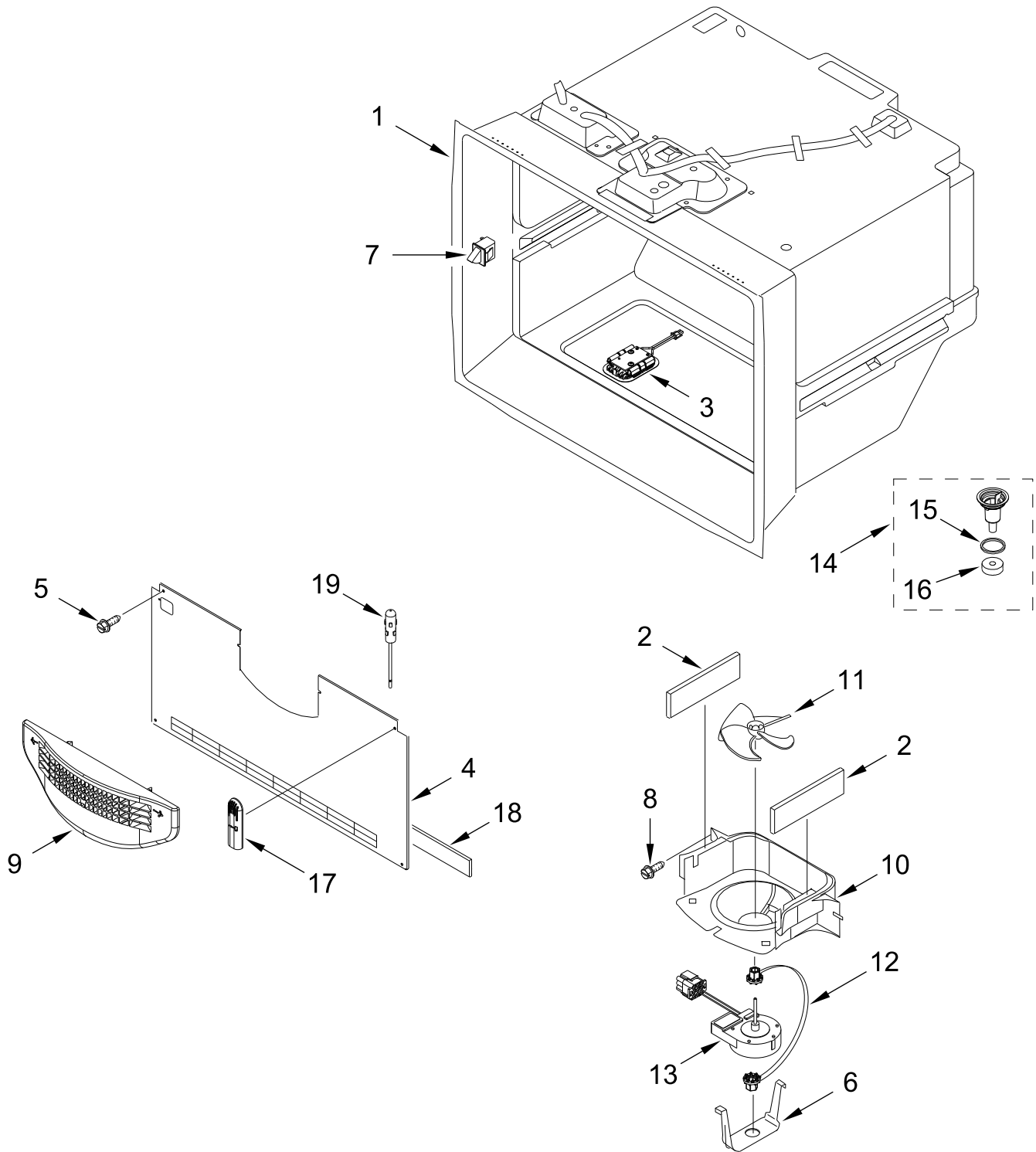
REFRIGERATOR LINER PARTS



REFRIGERATOR LINER PARTS

<u>Illus. No.</u>	<u>Part No.</u>	<u>Description</u>	<u>Illus. No.</u>	<u>Part No.</u>	<u>Description</u>	<u>Illus. No.</u>	<u>Part No.</u>	<u>Description</u>
1		Liner (Not A Serviceable Part)	14	W10706850	Heater, Fill Tube	28	W10280983	Insulation
2	W11281629	Housing, Water System	15	12990518	Screw	29	W10280988	Gasket, Rear Supply
3	W11306460	Tube, Fill	16	W10598013	Cover, Icebox	30	W10749701	Assembly, Icebox Adapter
4	W11296598	Reservoir, Water (Also Order Wire Tie Part 8567668)	17	W11547437	Assembly, Icebox (Foamed)	31	W11234022	Harness, LED Wire (Includes LED lights)
5	W11255718	Valve, Dual Water	18	W11124841	Cover, Air Damper	32	W11229041	Assembly, LED Module
6	W11293954	Housing, Water Filter	19	W11375055	Cover, Air Diffuser	33	W10479155	Damper, Control
7	W11391457	Enclosure, Water Valve	20	W10785113	Trim, Icebox	34	W10438957	Cover, Thermistor
8	W10754145	Cover, Waterbox	21	W10833801	Fan, Icebox	35	W10320706	Gasket, Rear Return
9	2223877	Latch, Push	22	W11175631	Locking Ring (5/16)			FOLLOWING PARTS NOT ILLUSTRATED
10	W10754143	Door, Filter Access	23	W10392172	Gasket, Fan		W11306925	Harness, Dual Valve
11	W10680605	Filter, Water	24	W11369503	Wire Assembly, Jumper		W11298842	Wire Assembly, Ice Box
12	W10315189	Filter, Air	25	W11504347	Assembly, Fascia (Includes Heater)			
13	W11517687	Waterline, Valve to Hinge	26	W10847853	Switch, Rocker			
			27	W11373136	Assembly, Air Tower			

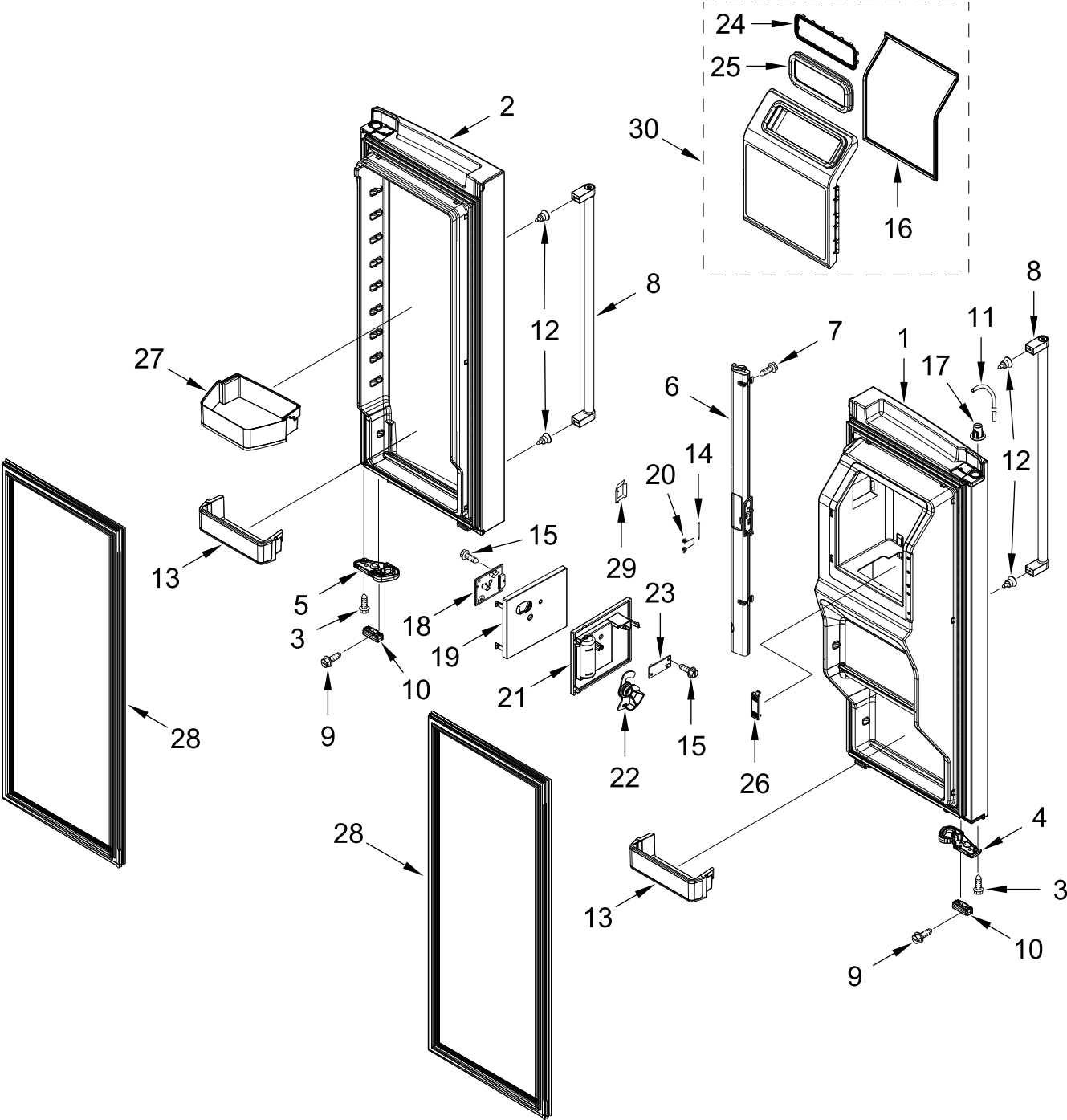
FREEZER LINER PARTS



FREEZER LINER PARTS

<u>Illus.</u> <u>No.</u>	<u>Part No.</u>	<u>Description</u>	<u>Illus.</u> <u>No.</u>	<u>Part No.</u>	<u>Description</u>	<u>Illus.</u> <u>No.</u>	<u>Part No.</u>	<u>Description</u>
1		Liner (Not A Serviceable Part)	8	12990504	Screw	14	W10503218	Assembly, Drain Funnel
2	A3189392	Gasket, Foam	9	W10496613	Grille, Air (Freezer)	15	M0500703	Seal
3	W11228040	Assembly, LED Light Module	10	W10363507	Shroud, Evaporator Fan	16	B8381501	Gasket, Drain
4	W11408170	Cover, Evaporator (Freezer)	11	12986101	Blade, Fan	17	W10405166	Cover, Thermistor
5	12990511	Screw	12	12951101	Grommet, Fan Motor	18	W10531268	Gasket, Dual Evaporator
6	12956601	Clip, Fan Motor	13	W11402610	Motor, Evaporator (Includes Harness, Thermistor, and Defrost Thermostat)	19	W10280385	Thermistor
7	W10847855	Switch, Light						

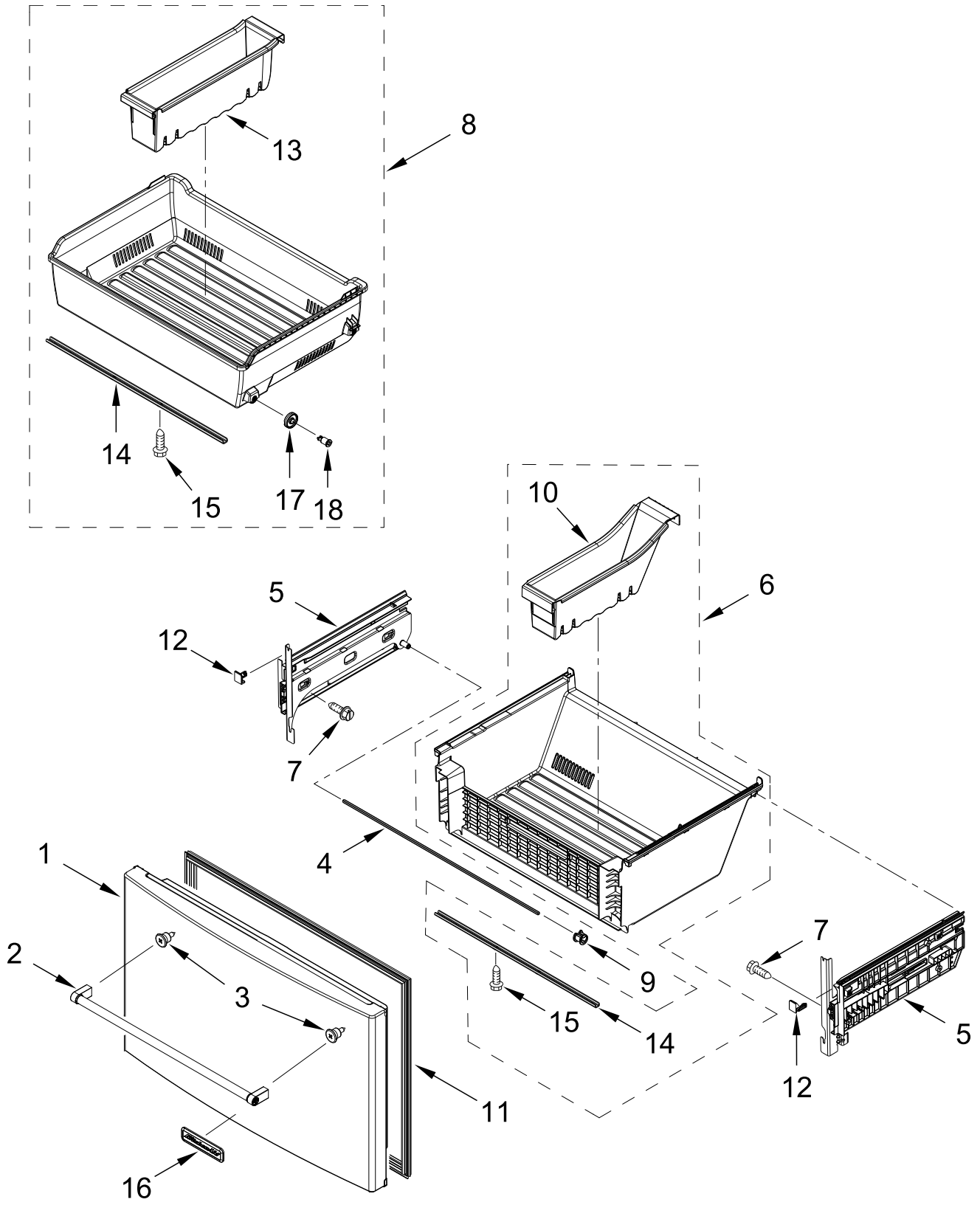
REFRIGERATOR DOOR PARTS



REFRIGERATOR DOOR PARTS

<u>Illus. No.</u>	<u>Part No.</u>	<u>Description</u>	<u>Illus. No.</u>	<u>Part No.</u>	<u>Description</u>	<u>Illus. No.</u>	<u>Part No.</u>	<u>Description</u>
1		Door, Refrigerator (Includes Door Gasket) Left Hand	6		Mullion, Door Black	18	W10518658	Board, Receiver Circuit
	W11381839	Black Stainless		W10902032	Black			
	W11381838	Stainless Steel		W10698201	Grey	19	W10563326	Cover, Receiver
			7	12990204	Screw	20	2198635	Spring, Door
			8		Handle, Door	21	W10563309	Cover, Emitter
				W11339138	Stainless	22	W10563328	Slide, Icemaker Shut Off
2		Door, Refrigerator (Includes Door Gasket) Right Hand	9	12990504	Screw			
	W11381837	Black Stainless	10		Bumper, Door Black	23	W10832970	Board, Emitter Circuit
	W11381836	Stainless Steel		W10407187	Black	24	W10562839	Retainer, Ice Chute
				W10407188	Grey	25	W10567563	Gasket, Ice Chute
			11	W10394073	Tube, Water	26	W10646867	Vent, Thermistor
			12	W11328753	Screw	27	W11373151	Bucket, Gallon
3	W10238319	Screw	13	W11373152	Trivet, 2 Liter	28		Gasket, Door
4		Latch, Door Left Hand	14	W10331749	Pin, Door		W10873939	Black
	W10712952	Left Hand	15	12993001	Screw		W10873938	Grey
5		Latch, Door Right Hand	16	W10567561	Gasket, Ice Door	29	W10563323	Door, Emitter
	W10712953	Right Hand	17	W11315302	Clip, Tube	30	W11373132	Door, Ice

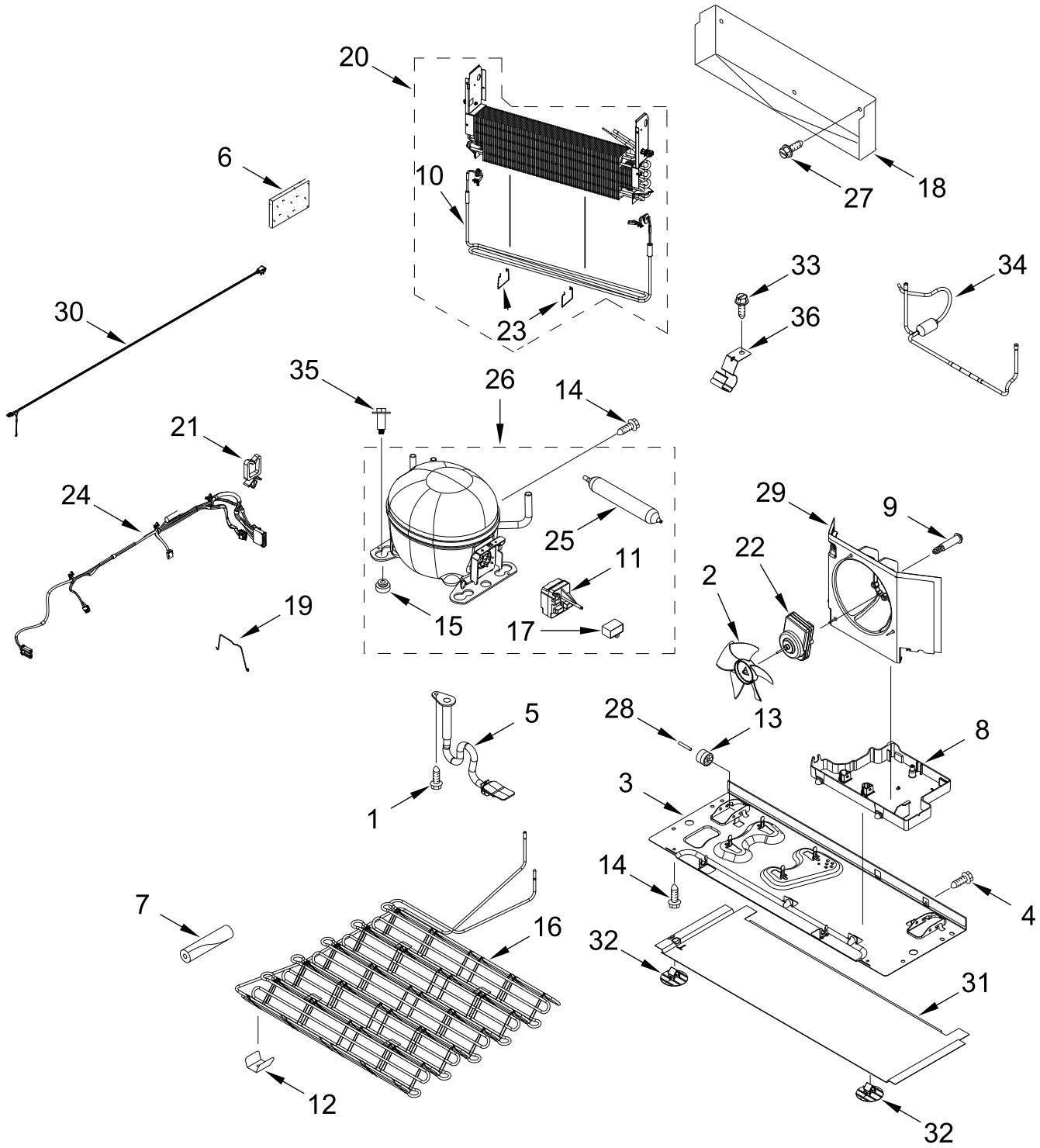
FREEZER DOOR PARTS



FREEZER DOOR PARTS

<u>Illus.</u> <u>No.</u>	<u>Part No.</u>	<u>Description</u>	<u>Illus.</u> <u>No.</u>	<u>Part No.</u>	<u>Description</u>	<u>Illus.</u> <u>No.</u>	<u>Part No.</u>	<u>Description</u>
1		Door, Freezer (Includes Door Gasket)	6	W10594052	Bin, Lower	14	W10469177	Support, Pan
	W11381841	Black Stainless	7	12990518	Screw	15	489443	Screw (Stainless)
	W11381840	Stainless Steel	8	W11379101	Assembly, Upper Bin	16		Nameplate
2		Handle, Door	9	W10709748	Clip, Shaft		W10765861	Grey
	W11222205	Stainless	10	W10562492	Divider, Lower	17	W10248555	Roller, Pan
3	W11328753	Screw	11		Gasket, Door	18	W10643690	Axle, Roller
4	W10503522	Shaft		W10248748	Black			
5		Assembly, Bracket		W10248749	Grey			
	W10795771	Left Hand	12		Stop, Pan			
	W10795769	Right Hand		W10585151	Left Hand			
				W10585150	Right Hand			
			13	W11379103	Divider, Upper			

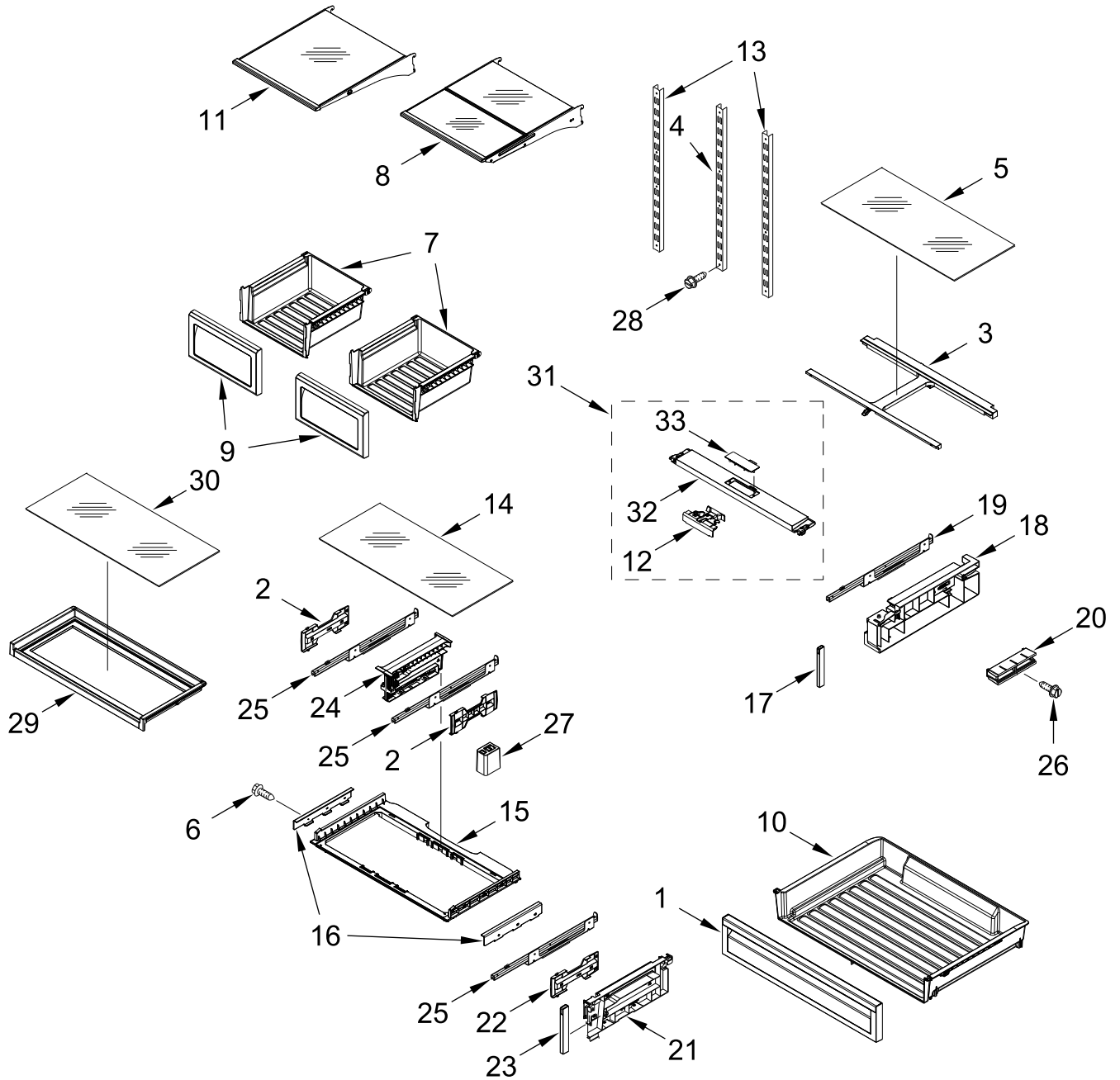
UNIT PARTS



UNIT PARTS

<u>Illus.</u> <u>No.</u>	<u>Part No.</u>	<u>Description</u>	<u>Illus.</u> <u>No.</u>	<u>Part No.</u>	<u>Description</u>	<u>Illus.</u> <u>No.</u>	<u>Part No.</u>	<u>Description</u>
1	W10141518	Screw	18	W11408656	Tray, Drip	26	W11412045	Compressor
2	2188935	Blade, Fan	19	W10174384	Strap, Bale			(Also Order the Following Lokring Parts)
3	W11411853	Baseplate, Compressor	20	W11394387	Assembly, Evaporator and Heater			
4	12990511	Screw			(Also Order the Following Lokring Parts)		W11504431	7/5 NR MS 00
5	W11497478	Extension, Drain						(Compressor to Condenser)
6	2169104	Insulation, Sound Deadening		W11506620	8 NK AL 00		W11504415	8.5/8 NR MS 00
7	W10303521	Sleeve			(Suction Line to Evaporator)			(Suction Tube to Compressor)
8	W10660727	Tray, Evaporator		W11504450	4/1.8 NR MS 00		W11506621	6 NK MS 00
9	W10622701	Screw			(Capillary Tube to Evaporator)			(Charging Tube to Compressor)
10	W11553968	Heater, Defrost	21	2223913	Clip		W11506635	Tube, Charging (1/4" w/ Schrader Valve)
11	W10197428	Device, Combination Start (Start Relay and Overload)	22	W11505535	Motor, Condenser Fan			
12	W10248621	Clip, Condenser	23	W11380964	Clip, Heater	27	W10142294	Screw
13	12477102	Roller	24	W11306948	Harness, Unit (Includes Power Cord)	28	12477202	Axle, Roller
14	12992101	Screw	25	W10805035	Drier (Service Drier Without Dye)	29	W10406719	Shroud
15	10835903	Grommet			(Also Order the Following Lokring Parts)	30	W10738415	Cord, Power
16	W11411956	Condenser				31	W10278140	Cover, Condenser (Bottom)
		(Also Order the Following Lokring Parts)				32	W10815861	Clip, Bottom Cover
	W11504445	5/4 NR MS 00 (Heat Loop to Condenser)		W11504445	5/4 NR MS 00 (Heat Loop to Drier)	33	W10141625	Screw
	W11504431	7/5 NR MS 00 (Compressor to Condenser)		W11504447	5/1.8 NR MS 00 (Capillary Tube to Drier)	34	W11323444	Tube, Suction
						35	W11417341	Screw
17	W10350564	Capacitor				36	W10281329	Clip, Drier
								REFRIGERANT CHARGE
								56 grams (R600a)

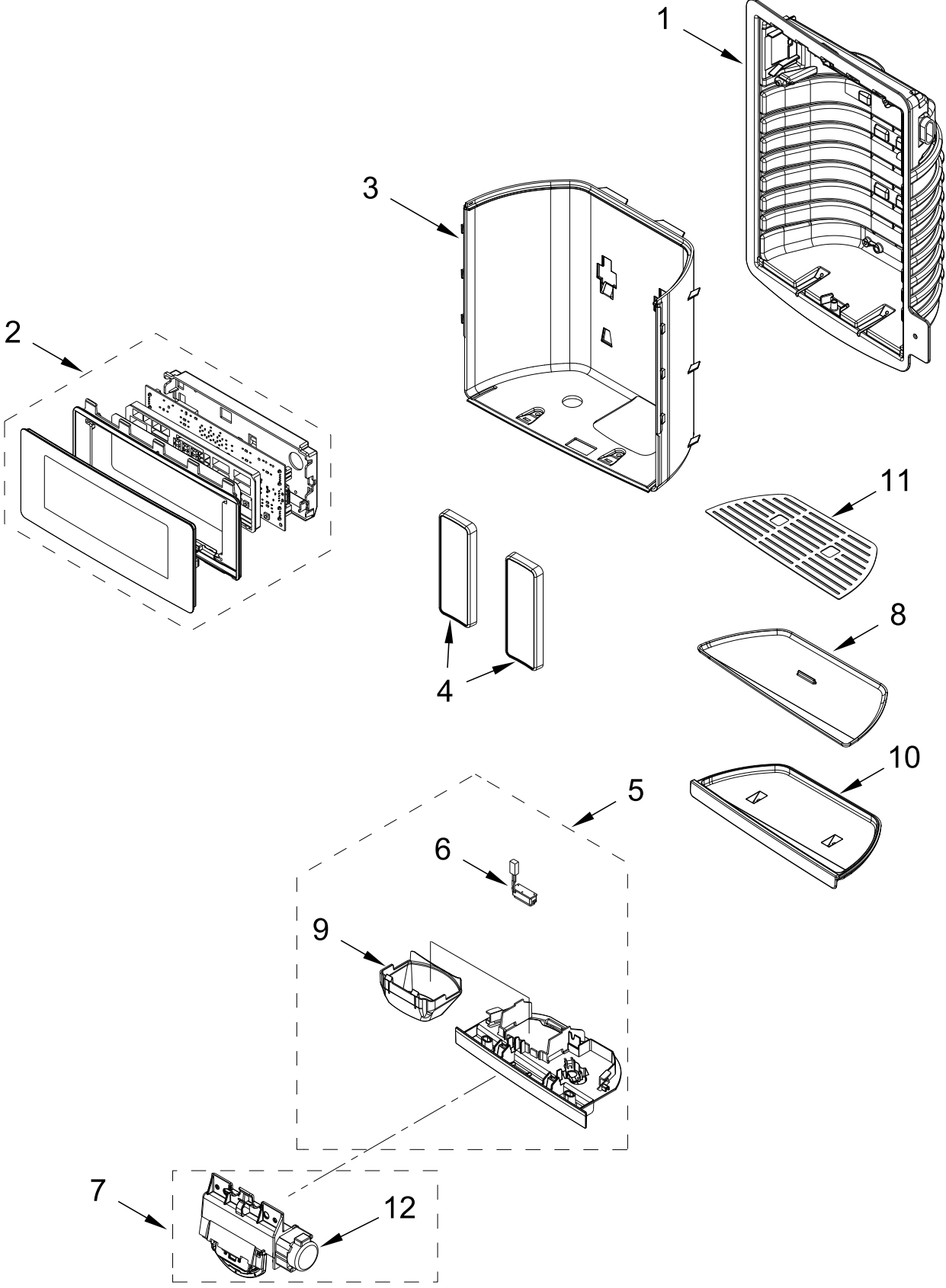
SHELF PARTS



SHELF PARTS

<u>Illus. No.</u>	<u>Part No.</u>	<u>Description</u>	<u>Illus. No.</u>	<u>Part No.</u>	<u>Description</u>	<u>Illus. No.</u>	<u>Part No.</u>	<u>Description</u>
1	W10756179	Front, Pantry	15	W11373141	Cover, Crisper	23	W10562814	Plate, Crisper Front
2	W10562471	Plate, Slide Center	16		Rail, Side	24	W10562425	Track, Center
3	W11124675	Assembly, Pantry Support		W11373149	Left Hand	25	W10248819	Slide, Crisper
4	W11658542	Ladder, Center		W11373150	Right Hand	26	12990518	Screw
5	W10893769	Glass, Pantry	17	W10562479	Plate, Pantry Front	27	W10562473	Support, Crisper
6	W10834285	Screw (Grey)	18		Plate, Side Pantry	28	W10423560	Screw
7	W10624439	Pan, Crisper		W10704668	Left Hand	29	W11625949	Assembly, Platter Shelf
8	W10737428	Assembly, Tuck Shelf		W11124812	Right Hand	30	W11169584	Glass, Platter
9	W10755922	Front, Crisper	19		Slide, Pantry	31	W11380750	Assembly, Pantry Front Cover
10	W10654845	Pan, Pantry		W10499289	Left Hand	32	W11380755	Cover, Pantry Top
11	W10756314	Assembly, Shelf		W10499294	Right Hand	33	W11380754	Housing, Pantry Temperature Control
12	W10512600	Knob, Pantry Temp Control	20	W10432697	Insulation, Sideplate			
13	W11658541	Ladder, Side	21		Plate, Crisper			
14	W10568000	Glass, Crisper		W11329364	Left Hand			
				W11329579	Right Hand			
			22	W10562802	Plate, Side			

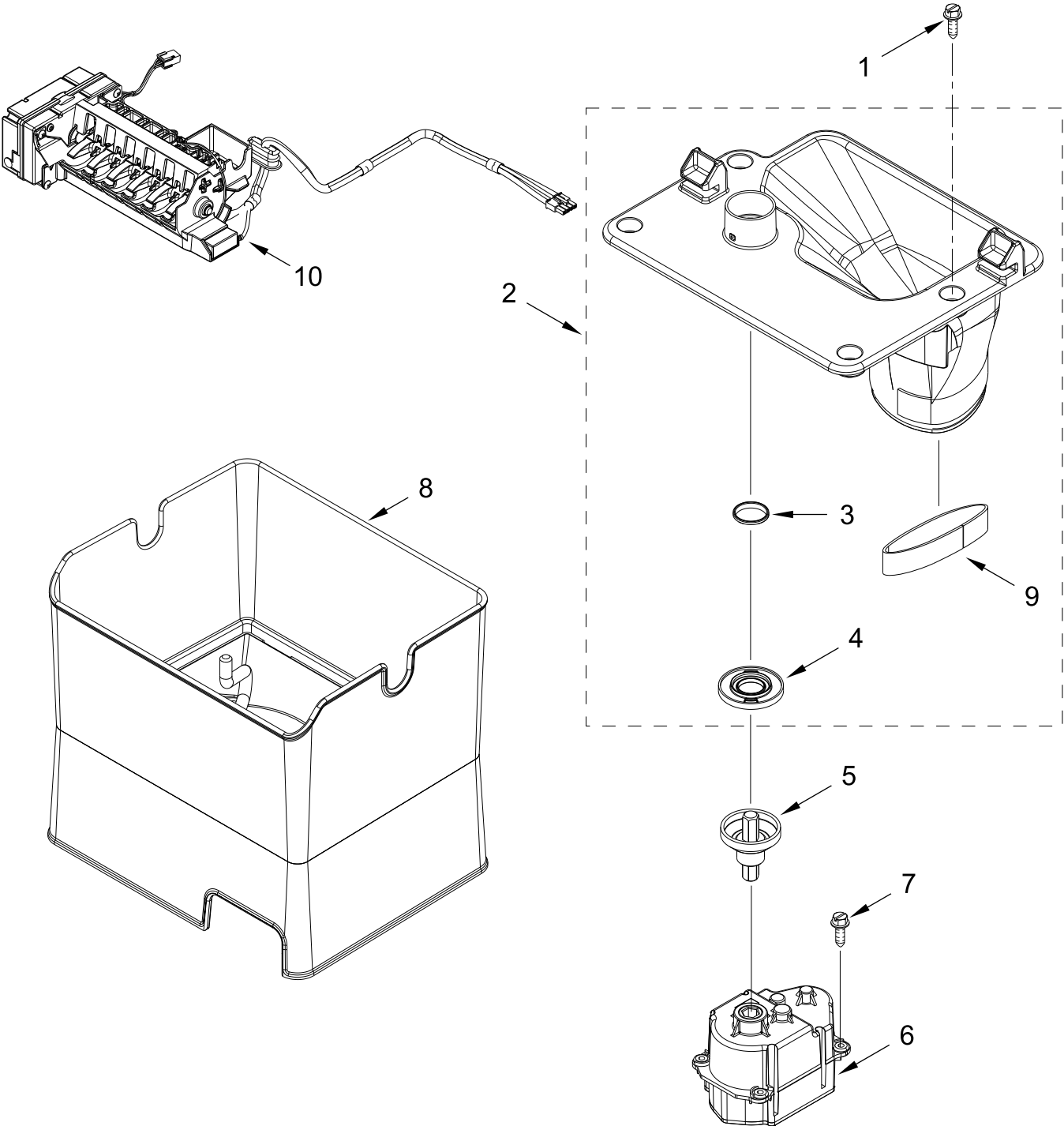
DISPENSER FRONT PARTS



DISPENSER FRONT PARTS

<u>Illus.</u> <u>No.</u>	<u>Part No.</u>	<u>Description</u>	<u>Illus.</u> <u>No.</u>	<u>Part No.</u>	<u>Description</u>	<u>Illus.</u> <u>No.</u>	<u>Part No.</u>	<u>Description</u>
1		Housing, Dispenser (Not Serviced)	5	W10394101	Assembly, Separator	11	W10542708	Grate, Drip Tray
2		Assembly, User Interface	6	W10238083	Assembly, LED	12	W10205979	Motor, Ice Door
	W11551785	Black	7	W10606117	Assembly, Ice Door			
3		Wall, Dispenser False	8		Insert, Drip Tray			
	W10486344	Black		W10400889	Black			
	W10486346	Grey		W10402269	Grey			
4		Assembly, Pad	9	W10435760	Guide, Ice			
	W10317253	Black	10		Tray, Dispenser			
	W10346924	Grey		W10400884	Black			
				W10400887	Grey			

ICEMAKER AND ICE CONTAINER PARTS



ICEMAKER AND ICE CONTAINER PARTS

<u>Illus.</u> <u>No.</u>	<u>Part No.</u>	<u>Description</u>	<u>Illus.</u> <u>No.</u>	<u>Part No.</u>	<u>Description</u>	<u>Illus.</u> <u>No.</u>	<u>Part No.</u>	<u>Description</u>
1	W10272364	Screw	5	W11363576	Shaft, Motor	9	W10291905	Gasket
2	W10572235	Assembly, Ice Chute Plate	6	W11185741	Motor, Dispenser	10	W11485529	Assembly, Icemaker
3	2198628	Seal	7	8281163	Screw (Stainless)			
4	W10347120	Clip, Retainer	8	W10564750	Assembly, Ice Container			

OPTIONAL PARTS

<u>Illus.</u> <u>No.</u>	<u>Part No.</u>	<u>Description</u>
		TOUCH-UP PAINT
	72032	Black
	W10134625	Apollo Grey
	W10917540	Midnight Grey
		PAINT, PRESSURIZED SPRAY (12 oz.)
	350939	Enamel, Black
	285006	Black
		Important: The spray paint is not to be used where the paint may make contact with the door gaskets.
		MISCELLANEOUS
	212643	Sealer, Gum (4 Feet)
	479502	Tape, Vinyl (3/4 x 108")
	876370	Insulation (2 Pieces, 3" x 24" x 48")
	876305	Insulation Kit (14 Pieces, 3" x 24" x 48")
	978941	Insulation, Fiberglass (63 1/2" x 35 1/2" x 2 5/8")
	876029	Kit, Foam Slab (30" x 32 1/2" x 1 1/2")
	505587	Sealer, Mastic (1 Qt)
	503695	Cork, Sealer
	542638	Grease, Silicone (1/2 Oz.)
	542639	Cement, Alumilastic (1 1/4 Oz.)
	833938	Kit, Terminal Connector
	8003RP	Kit, Water Inlet
		TORX SCREW WRENCH
	1117510	Torx Key